



HOLLAND (AND FORMER NEWAY) TRAILER AIR SUSPENSION PARTS REFERENCE GUIDE

For parts, service, and warranty questions
call 888.396.6501 or visit www.safholland.us

TABLE OF CONTENTS

Current Holland Models

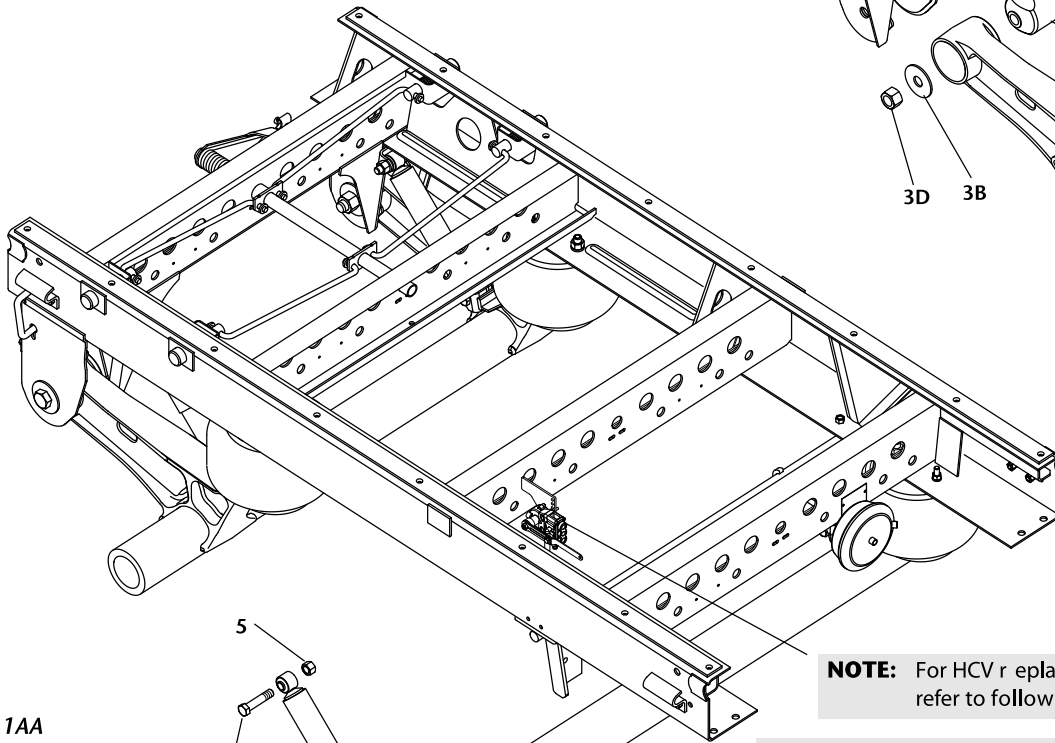
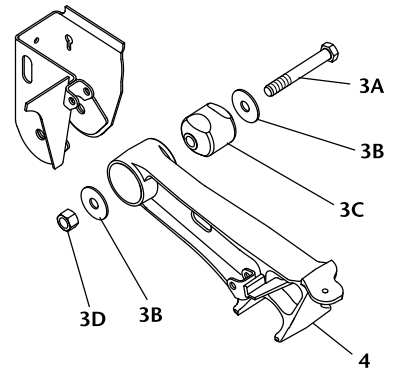
CB400/4000	3-2
NS400/450	3-8
NS190	3-16
AirLite2	3-18
CB2300	3-20
RL Series (RL-228, RL-230, RL-250, RL-300)	3-26
RL Suspension Service Repair Kits (SRK)	3-46
RLU Series (RLU-228, RLU-250, RLU-300)	3-52
RLU Suspension Service Repair Kits (SRK)	3-66

Late Model Neway Suspensions

AR-120 Series.....	3-66
AR-250 Series.....	3-74
AR-41/AR-45 Series.....	3-76
AR-50 Series.....	3-78
AR-70 Series.....	3-80
AR-75 Series.....	3-84
AR-80 Series.....	3-88
AR-90 Series.....	3-92
AR-92 Series.....	3-96
AR-93 Series.....	3-98
AR-95 Series.....	3-100
AR-955 Series.....	3-104
ART Series (See Truck Air Suspension Parts Guide XL-AM111)	5-28
ARU-92 Series	3-112
ARU-93 Series (RLU-228-3).....	3-54
RL-196 Series.....	3-114
AL-41	3-120
AL-45 Series	3-121
AL-75 Series	3-122
Frame Brackets (Selected Models)	3-124
Equalizing Beam Identification (Selected Models).....	3-126

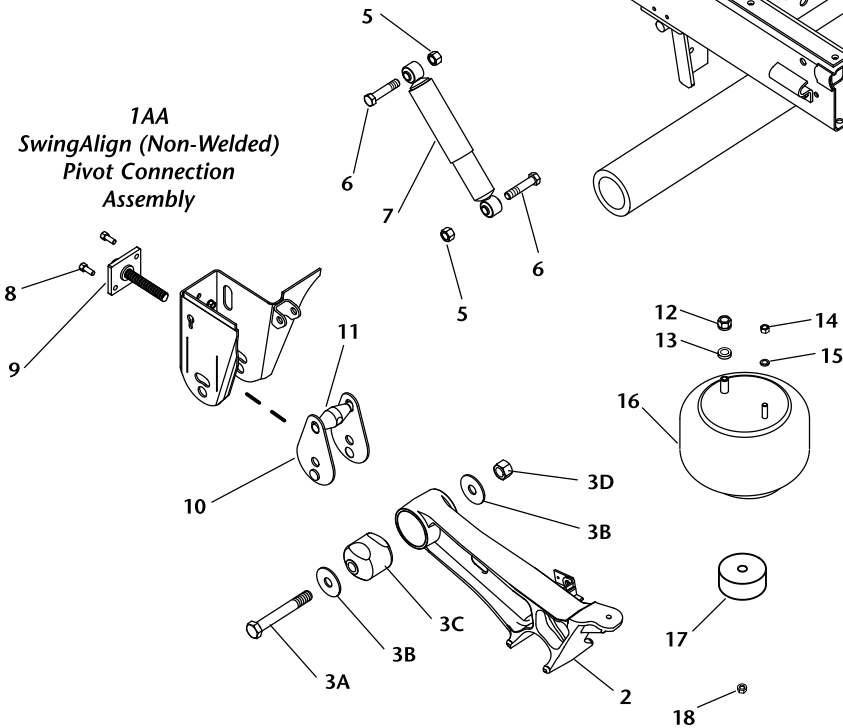
CB400/4000 EXPLODED VIEW

1A
Welded Alignment
Pivot Connection
Assembly



NOTE: For HCV r eplacement, refer to following page.

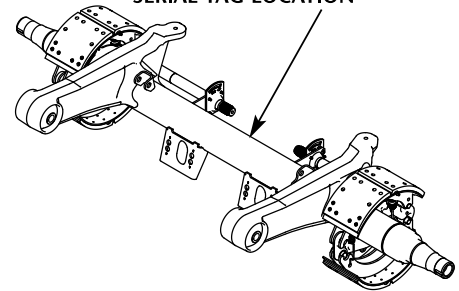
1AA
SwingAlign (Non-Welded)
Pivot Connection
Assembly



NOTE: Bushing connection kits and frame bracket replacement kits should be purchased as SRKs

NOTE: For air r elease pin puller, contact Customer Service Department at 1-888-396-6501.

TYPICAL AXLE MANUFACTURER'S SERIAL TAG LOCATION



NOTE: For axle assembly replacement, contact SAF-HOLLAND, USA, Inc. Customer Service: 888-396-6501.

NOTE: For axle end/brake components replacement contact the axle manufacturer.

CB400/4000 PARTS LIST

Suspension Components

ITEM NO.	DESCRIPTION	CB400-15.5	CB400-16.0	CB400-16.5	CB400-17.0	CB400-18.0	QTY.
1A	Frame Bracket (Welded)	481 00 396	481 00 396	481 00 396	481 00 396	481 00 396	2
1AA	Frame Bracket (SwingAlign)	481 00 395	481 00 395	481 00 395	481 00 395	481 00 395	2
2	Equalizing Beam LH (roadside - bushed beam)	481 00 449	481 00 449	481 00 449	481 00 449	**	2
3A*	Pivot Bolt 1-1/8"-7 x 8.0" LG GR 8	932 01 070	932 01 070	932 01 070	932 01 070	932 01 070	4
3B*	Pivot Connection Washer	936 00 553	936 00 553	936 00 553	936 00 553	936 00 553	8
3C*	Bushing	481 00 394	481 00 394	481 00 394	481 00 394	481 00 394	2
3D*	Hex Lock Nut 1-1/8"-7	934 00 506	934 00 506	934 00 506	934 00 506	934 00 506	4
4	Equalizing Beam RH (curbside - bushed beam only)	481 00 450	481 00 450	481 00 450	481 00 450	**	2
5	Hex Lock Nut 3/4"-10	934 00 492	934 00 492	934 00 492	934 00 492	934 00 492	8
6	Hex Bolt 3/4"-10 x 3.50" GR 5	930 06 035	930 06 035	930 06 035	930 06 035	930 06 035	8
7	Shock Absorber	900 45 298	900 45 298	900 44 162	900 44 162	900 45 040	4
8	Hex Bolt 1/2"-13 x 1-3/4"	XB-HHC-001-33	XB-HHC-001-33	XB-HHC-001-33	XB-HHC-001-33	XB-HHC-001-33	4
9	Threaded Rod Assembly	905 48 007	905 48 007	905 48 007	905 48 007	905 48 007	2
10	Alignment Plate	905 31 339	905 31 339	905 31 339	905 31 339	905 31 339	2
11	SwingAlign Yoke	900 45 491	900 45 491	900 45 491	900 45 491	900 45 491	2
12	Hex Nut 3/4"-16	934 00 149	934 00 149	934 00 149	934 00 149	934 00 149	4
13	Washer 3/4"	936 00 077	936 00 077	936 00 077	936 00 077	936 00 077	4
14	Hex Nut 1/2"-13	934 00 136	934 00 136	934 00 136	934 00 136	934 00 136	8
15	Washer 1/2"	936 00 072	936 00 072	936 00 072	936 00 072	936 00 072	8
16	Air Spring	481 00 492	481 00 492	481 00 493	481 00 494	481 00 495	4
17	Spacer	***	***	***	***	***	4
18	Flange Hex Nut 1/2"-13 GR B	934 00 623	934 00 623	934 00 623	934 00 623	934 00 623	4

* Replacement components should be purchased in bushing connection SRK kits listed on pages 5 and 6.

** For CB400 18" ride height only: roadside beam part number is 905 48 096, curbside beam 905 48 097.

*** Spacers are available in kits only, not individually.

CB400/4000 AIR CONTROL PARTS

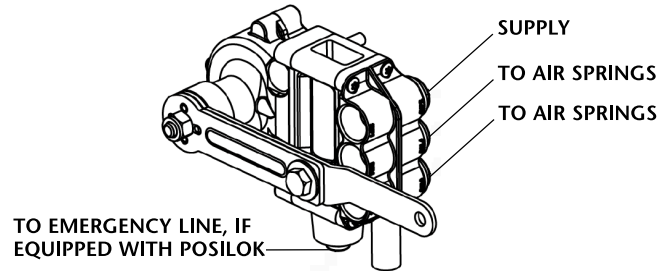
PR Valve Part Number Table

DESCRIPTION*	HOLLAND PART NO.	HALDEX PART NO.
PR valve with integral dump - low flow	905 61 008	905 55 100
PR valve without integral dump	905 61 004	905 55 101
PR valve with integral dump - high flow	905 61 003	905 55 116

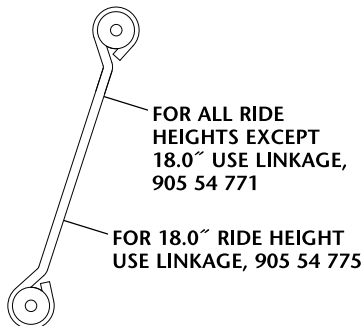
*All valves are set up for 3/8" fittings.

NOTE: Do not use the high flow valve when the trailer is equipped with PosiLok™ System.

PR Valve Port Assignments



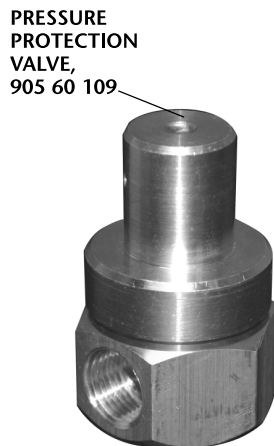
Height Control Valve Link



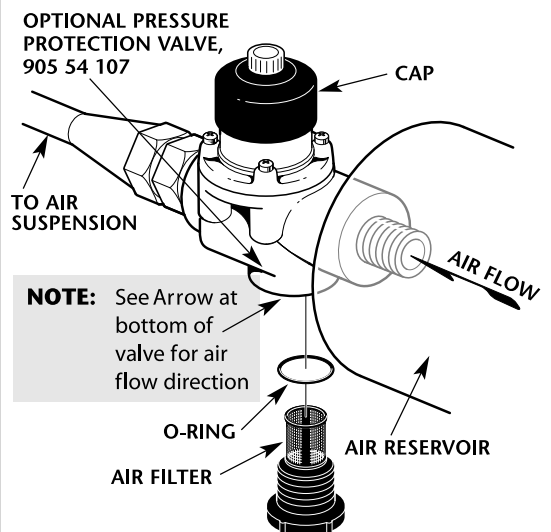
NOTE: Link includes attaching hardware.

NOTE: Link is not included in air controls kit and must be ordered separately, if needed.

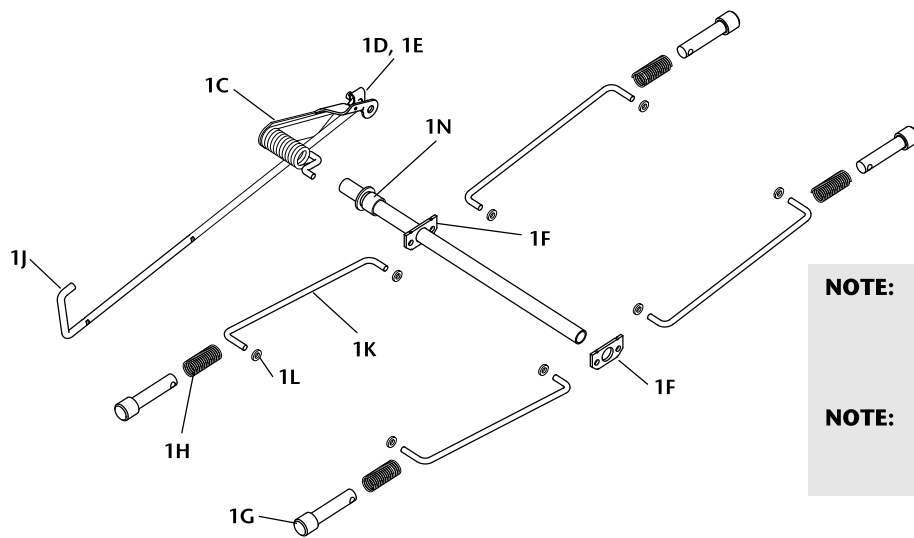
New Pressure Protection Valve



Optional Pressure Protection Valve



CB400/4000 SLIDER BOX EXPLODED VIEW



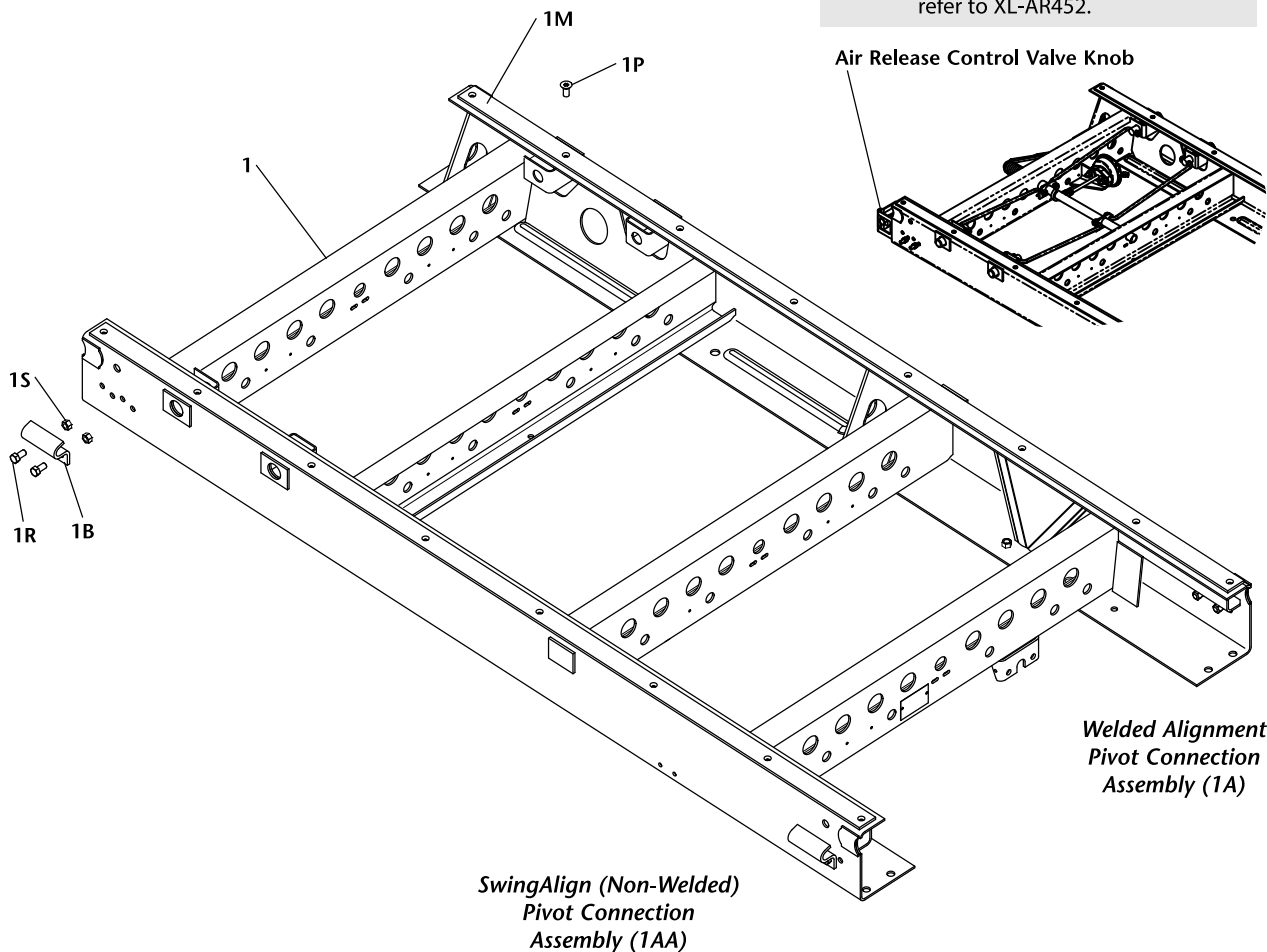
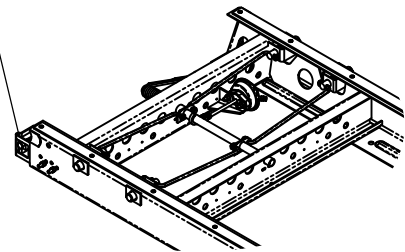
NOTE: Side rails and crossmembers cannot be replaced. If damaged, order complete slider, item No. 1.

NOTE: For air release pin puller, contact Customer Service Department at 1-888-396-6501.

Optional Air Release Pin Mechanism

NOTE: For part number and installation, refer to XL-AR452.

Air Release Control Valve Knob



SwingAlign (Non-Welded)
Pivot Connection
Assembly (1AA)

Welded Alignment
Pivot Connection
Assembly (1A)

CB400/4000 SLIDER BOX PARTS LIST

Slider Components

ITEM NO.	DESCRIPTION	96" SLIDER BOX RAIL STYLE	CB400-15.5	CB400-16.0	CB400-16.5	CB400-17.0	QTY.
1	Slider Assy. w/Qwik Release w/ 2 SwingAlign & 2 Fixed Frame Brkts.* (Items 1 includes items 1A - 1S) and Suspension	CL**	42" - CL211Q11- 48" - CL111Q11-	42" - CL221Q11- 48" - CL121Q11-	42" - CL231Q11- 48" - CL131Q11-	42" - CL241Q11- 48" - CL141Q11-	1
		CH**	42" - CH211Q11- 48" - CH111Q11-	42" - CH221Q11- 48" - CH121Q11-	42" - CH231Q11- 48" - CH131Q11-	42" - CH241Q11- 48" - CH141Q11-	
		CT**	42" - CT211Q11- 48" - CT111Q11-	42" - CT221Q11- 48" - CT121Q11-	42" - CT231Q11- 48" - CT131Q11-	42" - CT241Q11- 48" - CT141Q11-	
		CU**	42" - CU211Q11- 48" - CU111Q11-	42" - CU221Q11- 48" - CU121Q11-	42" - CU231Q11- 48" - CU131Q11-	42" - CU241Q11- 48" - CU141Q11-	
1A	Frame Bracket (Welded)	Roadside	N/A	N/A	N/A	N/A	N/A
		Curbside	See Frame Bracket Replacement Kits - pages 5 and 6				N/A
1AA	Frame Bracket (SwingAlign)	Roadside	See Frame Bracket Replacement Kits - pages 5 and 6				N/A
1B	Hold Down Bracket		42" - SLO893 48" - SLO893	42" - SLO893 48" - SLO893	42" - SLO893 48" - SLO893	42" - SLO893 48" - SLO893	4
1C	Torsion Cam		42" - SLOA1277-01 48" - SLOA1277-01	42" - SLOA1277-01 48" - SLOA1277-01	42" - SLOA1277-01 48" - SLOA1277-01	42" - SLOA1277-01 48" - SLOA1277-01	1
1D	Pull Handle Clip		42" - SLOA1273 48" - SLOA1273	42" - SLOA1273 48" - SLOA1273	42" - SLOA1273 48" - SLOA1273	42" - SLOA1273 48" - SLOA1273	1
1E	Cotter Pin 3/16" x 1 1/2"		42" - XB-CTP-014-59 48" - XB-CTP-014-59	42" - XB-CTP-014-59 48" - XB-CTP-014-59	42" - XB-CTP-014-59 48" - XB-CTP-014-59	42" - XB-CTP-014-59 48" - XB-CTP-014-59	1
1F	Cam Plate		42" - SLOA1274 48" - SLOA1274	42" - SLOA1274 48" - SLOA1274	42" - SLOA1274 48" - SLOA1274	42" - SLOA1274 48" - SLOA1274	2
1G	Lock Pin Hutch Style 1 3/8" Dia.		42" - SLOA1261 48" - SLOA1261	42" - SLOA1261 48" - SLOA1261	42" - SLOA1261 48" - SLOA1261	42" - SLOA1261 48" - SLOA1261	4
	Lock Pin 1 3/8" Dia. All Others		42" - SLOA1238 48" - SLOA1238	42" - SLOA1238 48" - SLOA1238	42" - SLOA1238 48" - SLOA1238	42" - SLOA1238 48" - SLOA1238	4
1H	Compression Spring		42" - XB-SPG-020-35 48" - XB-SPG-020-35	42" - XB-SPG-020-35 48" - XB-SPG-020-35	42" - XB-SPG-020-35 48" - XB-SPG-020-35	42" - XB-SPG-020-35 48" - XB-SPG-020-35	4
1J	Pull Handle		42" - SLOA1445-02 48" - SLOA1445-01	42" - SLOA1445-02 48" - SLOA1445-01	42" - SLOA1445-02 48" - SLOA1445-01	42" - SLOA1445-02 48" - SLOA1445-01	1
1K	Pin Pull Rod		42" - SLOA1239-01 48" - SLOA1239-02	42" - SLOA1239-01 48" - SLOA1239-02	42" - SLOA1239-01 48" - SLOA1239-02	42" - SLOA1239-01 48" - SLOA1239-02	4
1L	Washer 1/2" (Pin Pull Rod)		42" - XB-PW-016-85 48" - XB-PW-016-85	42" - XB-PW-016-85 48" - XB-PW-016-85	42" - XB-PW-016-85 48" - XB-PW-016-85	42" - XB-PW-016-85 48" - XB-PW-016-85	8
1M	Slider Pad 96" (Long)		42" - XB-SLOA1054 48" - XB-SLOA1054	42" - XB-SLOA1054 48" - XB-SLOA1054	42" - XB-SLOA1054 48" - XB-SLOA1054	42" - XB-SLOA1054 48" - XB-SLOA1054	2
1N	Spacer (Cam Shaft Stop)		42" - SLO523-07 48" - SLO523-07	42" - SLO523-07 48" - SLO523-07	42" - SLO523-07 48" - SLO523-07	42" - SLO523-07 48" - SLO523-07	1
1P	Self Tap Screw 5/16"-18 x 3/4"		42" - XB-STS-008-16 48" - XB-STS-008-16	42" - XB-STS-008-16 48" - XB-STS-008-16	42" - XB-STS-008-16 48" - XB-STS-008-16	42" - XB-STS-008-16 48" - XB-STS-008-16	16
1R	Hold Down Bracket Bolt 1/2"-13 x 1 1/4"		42" - XB-HHC-001-33 48" - XB-HHC-001-33	42" - XB-HHC-001-33 48" - XB-HHC-001-33	42" - XB-HHC-001-33 48" - XB-HHC-001-33	42" - XB-HHC-001-33 48" - XB-HHC-001-33	8
1S	Hold Down Bracket Lock Nut 1/2"-13		42" - XB-SLN-012-42 48" - XB-SLN-012-42	42" - XB-SLN-012-42 48" - XB-SLN-012-42	42" - XB-SLN-012-42 48" - XB-SLN-012-42	42" - XB-SLN-012-42 48" - XB-SLN-012-42	8

* SwingAlign non-welded style "adjustable" frame bracket on roadside; welded style "fixed" frame bracket on curbside.

** CL = Holland slider box rail style; CH = Hutch slider box rail style;
CT = TTMA slider box rail style; CU = Utility slider box rail style.

NOTE: If your trailer is equipped with the "Air Release Pin Mechanism, " refer to XL-AR452 for parts list and service information.

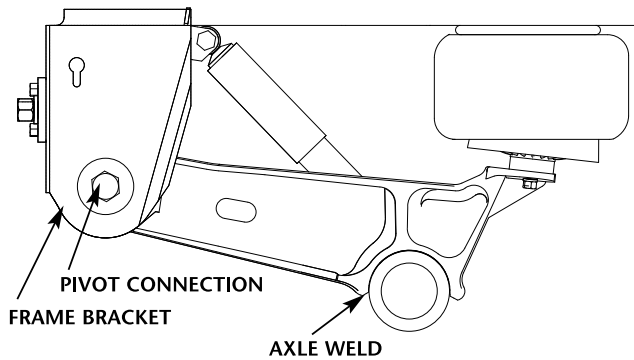
CB400/4000 SERVICE REPAIR KITS (SRKs)

The CB400/4000 suspension provides Service Repair Kits (SRK's) for the replacement of pivot connections and frame brackets (FIGURE 8).

NOTE: The Holland Bushing Service tool, part no. 505 44 015, is available to ease removal and replacement of bushings. Contact your Holland distributor or refer to this Parts List for details.

FIGURE 8

Pivot Connection and Axle Weld

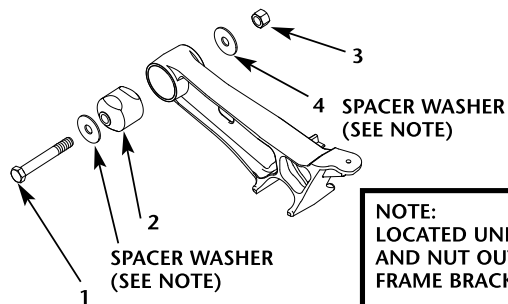


Pivot Connection Replacement Kit

SRK-530

481 00 394

ITEM	PART NO.	DESCRIPTION	QTY.
1	932 01 070	Rod Bolt 1 1/8" - 7 x 8"	2
2	900 08 247	Rubber Bushing	2
3	934 00 506	Lock Nut 1 1/8" - 7	2
4	936 00 553	Washer	4



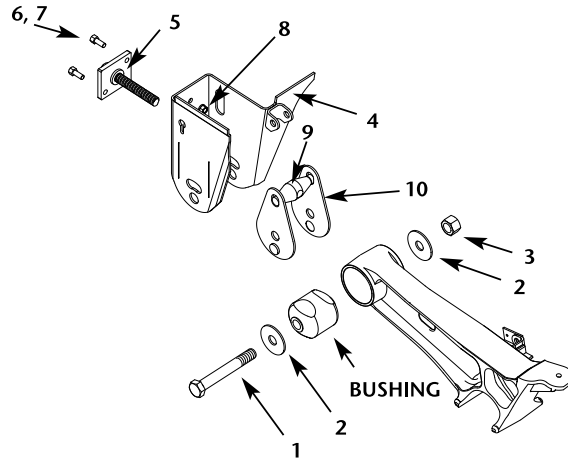
NOTE:
LOCATED UNDER BOLT
AND NUT OUTSIDE OF
FRAME BRACKET.

SwingAlign™ Frame Bracket Replacement Kit

SRK-531:

481 00 395

ITEM	PART NO.	DESCRIPTION	QTY.
1	932 01 070	Rod Bolt 1 1/8" - 7 x 8"	2
2	936 00 553	Washer	4
3	934 00 506	Lock Nut 1 1/8" - 7	2
4	905 21 742	Frame Bracket, Roadside	1
5	905 48 007	Threaded Rod Assembly	1
6	XB-HHC-001-33	Bolt, Hex 1/2" - 13 x 1 3/4"	2
7	936 00 072	Washer, Lock 1/2"	2
8	934 00 136	Nut, Hex 1/2" - 13	2
9	900 45 491	SwingAlign™ Yoke	1
10	905 31 339	Alignment Plate	2

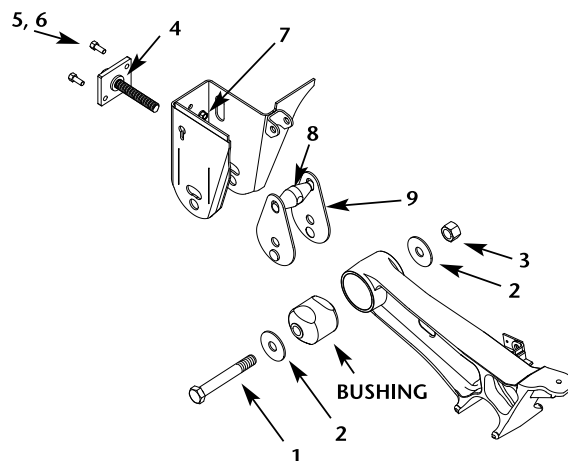


SwingAlign™ Replacement Kit

SRK-542:

481 00 406

ITEM	PART NO.	DESCRIPTION	QTY.
1	932 01 070	Rod Bolt 1 1/8" - 7 x 8"	1
2	936 00 553	Washer	4
3	934 00 506	Lock Nut 1 1/8" - 7	1
4	905 48 007	Threaded Rod Assembly	1
5	XB-HHC-001-33	Bolt, Hex 1/2" - 13 x 1 3/4"	2
6	936 00 072	Washer, Lock 1/2"	2
7	934 00 136	Nut, Hex 1/2" - 13	2
8	900 45 491	SwingAlign™ Yoke	1
9	905 31 339	Alignment Plate	2

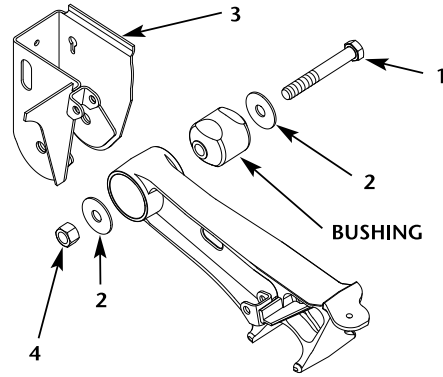


Fixed Frame Bracket Replacement Kit

SRK-532 481 00 396

ITEM	PART NO.	DESCRIPTION	QTY.
1	932 01 070	Rod Bolt 1 1/8" - 7 x 8"	2
2	936 00 553	Washer	4
3	905 21 743	Frame Bracket, Curbside	1
4	934 00 506	Lock Nut 1 1/8" - 7	2

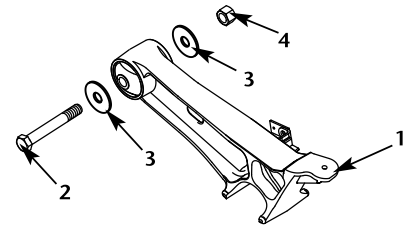
NOTE:
IF BOTH BEAMS AND AXLE ASSEMBLY ARE REQUIRED,
CONTACT SAF-HOLLAND, USA, INC. CUSTOMER SERVICE
(888)396-6501. REFER TO DRAWING 905 48 150_TAB.



Roadside Equalizing Beam Replacement Kit

SRK-585 481 00 449

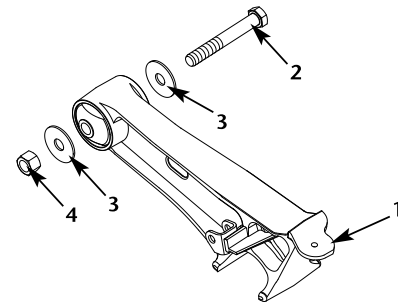
ITEM	PART NO.	DESCRIPTION	QTY.
1	905 48 008	Equalizing Beam, Roadside (LH)	1
2	932 01 070	Pivot Bolt 1 1/8" - 7 x 8" Gr 8	2
3	936 00 553	Washer	4
4	934 00 506	Hex Lock Nut 1 1/8" - 7 Gr C	2
5	XL-AR368	Literature Kit, Maintenance Manual	1
6	XL-AR369	Literature Kit, Parts List Manual	1



Curbside Equalizing Beam Replacement Kit

SRK-586 481 00 450

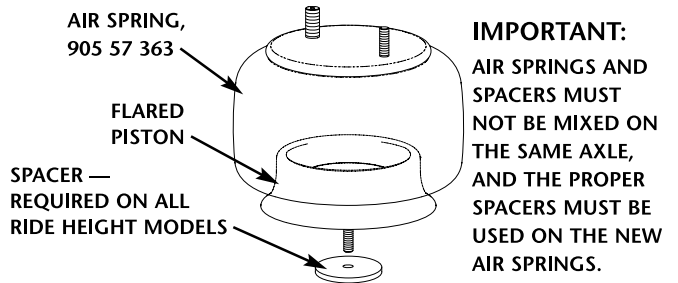
ITEM	PART NO.	DESCRIPTION	QTY.
1	905 48 009	Equalizing Beam, Curbside (RH)	1
2	932 01 070	Pivot Bolt 1 1/8" - 7 x 8" Gr 8	2
3	936 00 553	Washer	4
4	934 00 506	Hex Lock Nut 1 1/8" - 7 Gr C	2
5	XL-AR368	Literature Kit, Maintenance Manual	1
6	XL-AR369	Literature Kit, Parts List Manual	1



Air Spring Replacement Kit

RIDE HEIGHT	REPLACEMENT KIT PART NO.*
15.5"	481 00 492
16"	481 00 492
16.5"	481 00 493
17"	481 00 494
18"	481 00 495

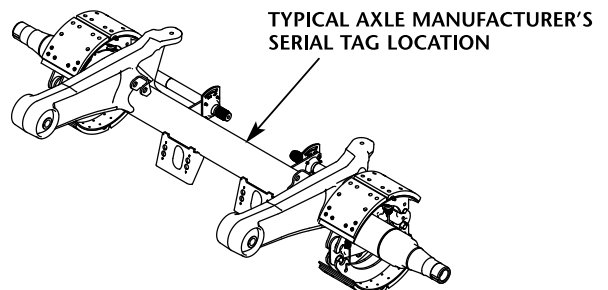
* One kit needed per air spring.



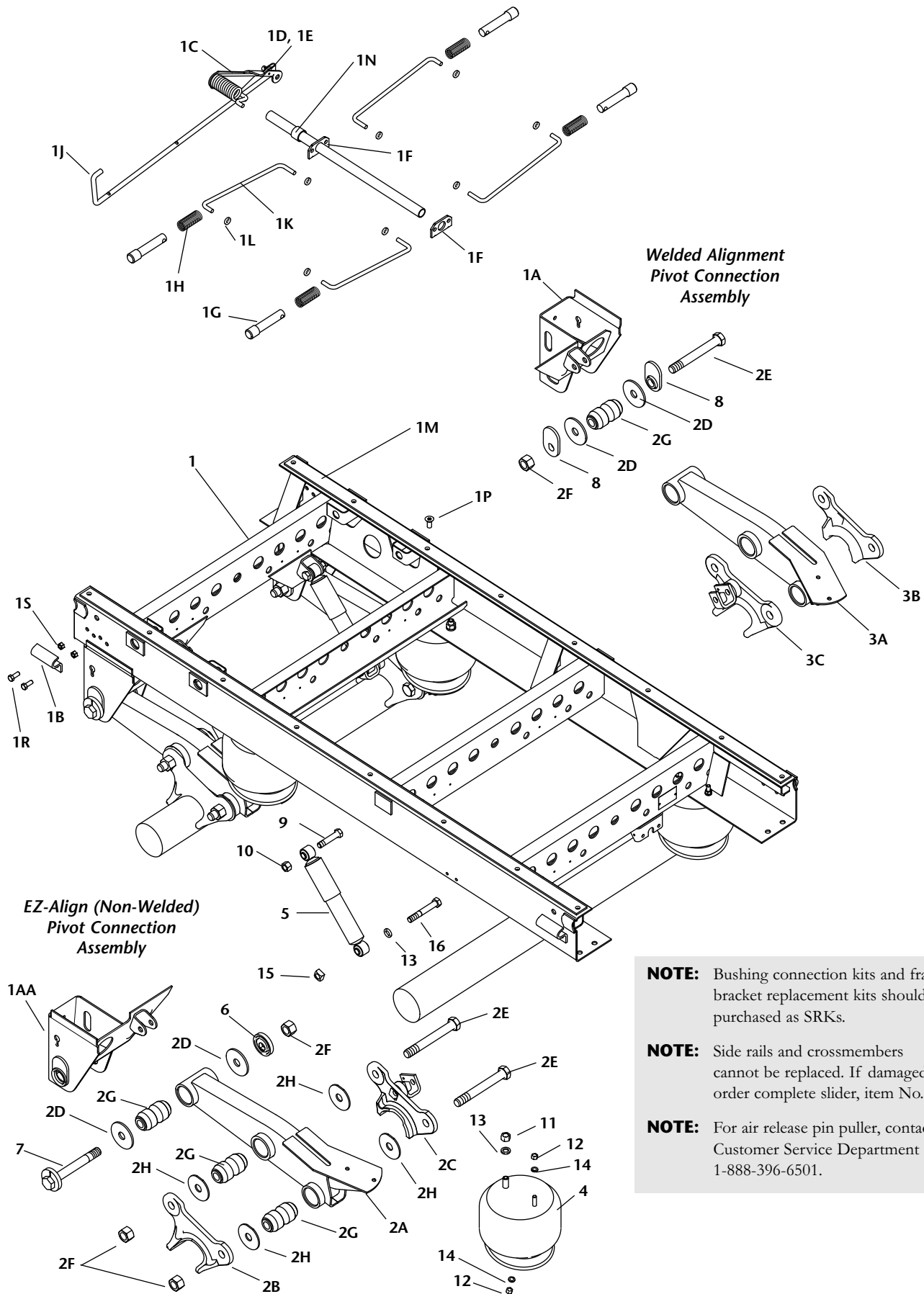
CB4000 SUSPENSION AXLE ASSEMBLY

NOTE: For axle assembly replacement, contact SAF-HOLLAND, USA, Inc. Customer Service: 888-396-6501.

NOTE: For axle end/brake components replacement contact the axle manufacturer.



NS400 SLIDER BOX AND SUSPENSION EXPLODED VIEW



NOTE: Bushing connection kits and frame bracket replacement kits should be purchased as SRKs.

NOTE: Side rails and crossmembers cannot be replaced. If damaged, order complete slider, item No. 1.

NOTE: For air release pin puller, contact Customer Service Department at 1-888-396-6501.

NS400 SLIDER BOX PARTS LIST

Slider Components

ITEM NO.	DESCRIPTION	96" SLIDER BOX RAIL STYLE	NS-400-16.0	NS-400-16.5	NS-400-17.0	NS-400-18.0	QTY.
1	Slider Assy. w/Qwik Release w/ 2 NW & 2 WA Frame Brkts.*	NSB**	42" - NLIQ22-112N000Y0 48" - NLIQ12-112N000Y0	42" - NLIQ22-122N000Y0 48" - NLIQ12-122N000Y0	42" - NLIQ22-132N000Y0 48" - NLIQ12-132N000Y0	42" - NLIQ22-142N000Y0 48" - NLIQ12-142N000Y0	1
		NSH**	42" - NH1Q22-112N000Y0 48" - NH1Q12-112N000Y0	42" - NH1Q22-122N000Y0 48" - NH1Q12-122N000Y0	42" - NH1Q22-132N000Y0 48" - NH1Q12-132N000Y0	42" - NH1Q22-142N000Y0 48" - NH1Q12-142N000Y0	
		NST**	42" - NT1Q22-112N000Y0 48" - NT1Q12-112N000Y0	42" - NT1Q22-122N000Y0 48" - NT1Q12-122N000Y0	42" - NT1Q22-132N000Y0 48" - NT1Q12-132N000Y0	42" - NT1Q22-142N000Y0 48" - NT1Q12-142N000Y0	
		NSU**	42" - NU1Q22-112N000Y0 48" - NU1Q12-112N000Y0	42" - NU1Q22-122N000Y0 48" - NU1Q12-122N000Y0	42" - NU1Q22-132N000Y0 48" - NU1Q12-132N000Y0	42" - NU1Q22-142N000Y0 48" - NU1Q12-142N000Y0	
1	Slider Assy. w/Qwik Release w/ 4 NW Frame Brackets*	NSB**	42" - NLIQ22-111N000Y0 48" - NLIQ12-111N000Y0	42" - NLIQ22-121N000Y0 48" - NLIQ12-121N000Y0	42" - NLIQ22-131N000Y0 48" - NLIQ12-131N000Y0	42" - NLIQ22-141N000Y0 48" - NLIQ12-141N000Y0	1
		NSH**	42" - NH1Q22-111N000Y0 48" - NH1Q12-111N000Y0	42" - NH1Q22-121N000Y0 48" - NH1Q12-121N000Y0	42" - NH1Q22-131N000Y0 48" - NH1Q12-131N000Y0	42" - NH1Q22-141N000Y0 48" - NH1Q12-141N000Y0	
		NST**	42" - NT1Q22-111N000Y0 48" - NT1Q12-111N000Y0	42" - NT1Q22-121N000Y0 48" - NT1Q12-121N000Y0	42" - NT1Q22-131N000Y0 48" - NT1Q12-131N000Y0	42" - NT1Q22-141N000Y0 48" - NT1Q12-141N000Y0	
		NSU**	42" - NU1Q22-111N000Y0 48" - NU1Q12-111N000Y0	42" - NU1Q22-121N000Y0 48" - NU1Q12-121N000Y0	42" - NU1Q22-131N000Y0 48" - NU1Q12-131N000Y0	42" - NU1Q22-141N000Y0 48" - NU1Q12-141N000Y0	
1A	Frame Bracket (Welded)	Roadside	N/A	N/A	N/A	N/A	N/A
		Curbside	See Frame Bracket Replacement Kits				N/A
1AA	Frame Bracket (EZ-Align)	Roadside	See Frame Bracket Replacement Kits				N/A
		Curbside	See Frame Bracket Replacement Kits				N/A
1B	Hold Down Clip		42" - SLO893 48" - SLO893	42" - SLO893 48" - SLO893	42" - SLO893 48" - SLO893	42" - SLO893 48" - SLO893	4
1C	Center Pin Pull Assembly		42" - SLOA1277-01 48" - SLOA1277-01	42" - SLOA1277-01 48" - SLOA1277-01	42" - SLOA1277-01 48" - SLOA1277-01	42" - SLOA1277-01 48" - SLOA1277-01	1
1D	Clip		42" - SLOA1273 48" - SLOA1273	42" - SLOA1273 48" - SLOA1273	42" - SLOA1273 48" - SLOA1273	42" - SLOA1273 48" - SLOA1273	1
1E	Cotter Pin 3/16" x 1 1/2"		42" - XB-CTP-014-59 48" - XB-CTP-014-59	42" - XB-CTP-014-59 48" - XB-CTP-014-59	42" - XB-CTP-014-59 48" - XB-CTP-014-59	42" - XB-CTP-014-59 48" - XB-CTP-014-59	1
1F	Torsion Cam		42" - SLOA1274 48" - SLOA1274	42" - SLOA1274 48" - SLOA1274	42" - SLOA1274 48" - SLOA1274	42" - SLOA1274 48" - SLOA1274	2
1G	Lock Pin Hutch Style 1 3/8" Dia.		42" - SLOA1261 48" - SLOA1261	42" - SLOA1261 48" - SLOA1261	42" - SLOA1261 48" - SLOA1261	42" - SLOA1261 48" - SLOA1261	4
	Lock Pin 1 3/8" Dia. All Others		42" - SLOA1238 48" - SLOA1238	42" - SLOA1238 48" - SLOA1238	42" - SLOA1238 48" - SLOA1238	42" - SLOA1238 48" - SLOA1238	4
1H	Compression Spring		42" - XB-SPG-020-35 48" - XB-SPG-020-35	42" - XB-SPG-020-35 48" - XB-SPG-020-35	42" - XB-SPG-020-35 48" - XB-SPG-020-35	42" - XB-SPG-020-35 48" - XB-SPG-020-35	4
1J	Pull Handle		42" - SLOA1269-02 48" - SLOA1269-01	42" - SLOA1269-02 48" - SLOA1269-01	42" - SLOA1269-02 48" - SLOA1269-01	42" - SLOA1269-02 48" - SLOA1269-01	1
1K	Pin Pull Rod		42" - SLOA1239-01 48" - SLOA1239-02	42" - SLOA1239-01 48" - SLOA1239-02	42" - SLOA1239-01 48" - SLOA1239-02	42" - SLOA1239-01 48" - SLOA1239-02	4
1L	Washer 1/2" (Pin Pull Rod)		42" - XB-PW-016-85 48" - XB-PW-016-85	42" - XB-PW-016-85 48" - XB-PW-016-85	42" - XB-PW-016-85 48" - XB-PW-016-85	42" - XB-PW-016-85 48" - XB-PW-016-85	8
1M	Slider Pad 96" (Long)		42" - XB-SLOA1054 48" - XB-SLOA1054	42" - XB-SLOA1054 48" - XB-SLOA1054	42" - XB-SLOA1054 48" - XB-SLOA1054	42" - XB-SLOA1054 48" - XB-SLOA1054	2
1N	Spacer		42" - SLO523-07 48" - SLO523-07	42" - SLO523-07 48" - SLO523-07	42" - SLO523-07 48" - SLO523-07	42" - SLO523-07 48" - SLO523-07	1
1P	Self Tap Screw 5/16"-18 x 3/4"		42" - XB-STS-008-16 48" - XB-STS-008-16	42" - XB-STS-008-16 48" - XB-STS-008-16	42" - XB-STS-008-16 48" - XB-STS-008-16	42" - XB-STS-008-16 48" - XB-STS-008-16	16
1R	Bolt 1/2"-13 x 1/4"		42" - XB-HHC-001-33 48" - XB-HHC-001-33	42" - XB-HHC-001-33 48" - XB-HHC-001-33	42" - XB-HHC-001-33 48" - XB-HHC-001-33	42" - XB-HHC-001-33 48" - XB-HHC-001-33	8
1S	Lock Nut 1/2"-13		42" - XB-SLN-012-42 48" - XB-SLN-012-42	42" - XB-SLN-012-42 48" - XB-SLN-012-42	42" - XB-SLN-012-42 48" - XB-SLN-012-42	42" - XB-SLN-012-42 48" - XB-SLN-012-42	8

* NW = EZ-Align (Non-Welded) style and WA = Welded Alignment style frame brackets.

**NSB = Holland slider box rail style; NSH = Hutch slider box rail style; NST = TTMA slider box rail style; NSU = Utility slider box railstyle.

**NOT ALL COMPONENTS
SOLD SEPARATELY**

NS400 SUSPENSION PARTS LIST *continued*

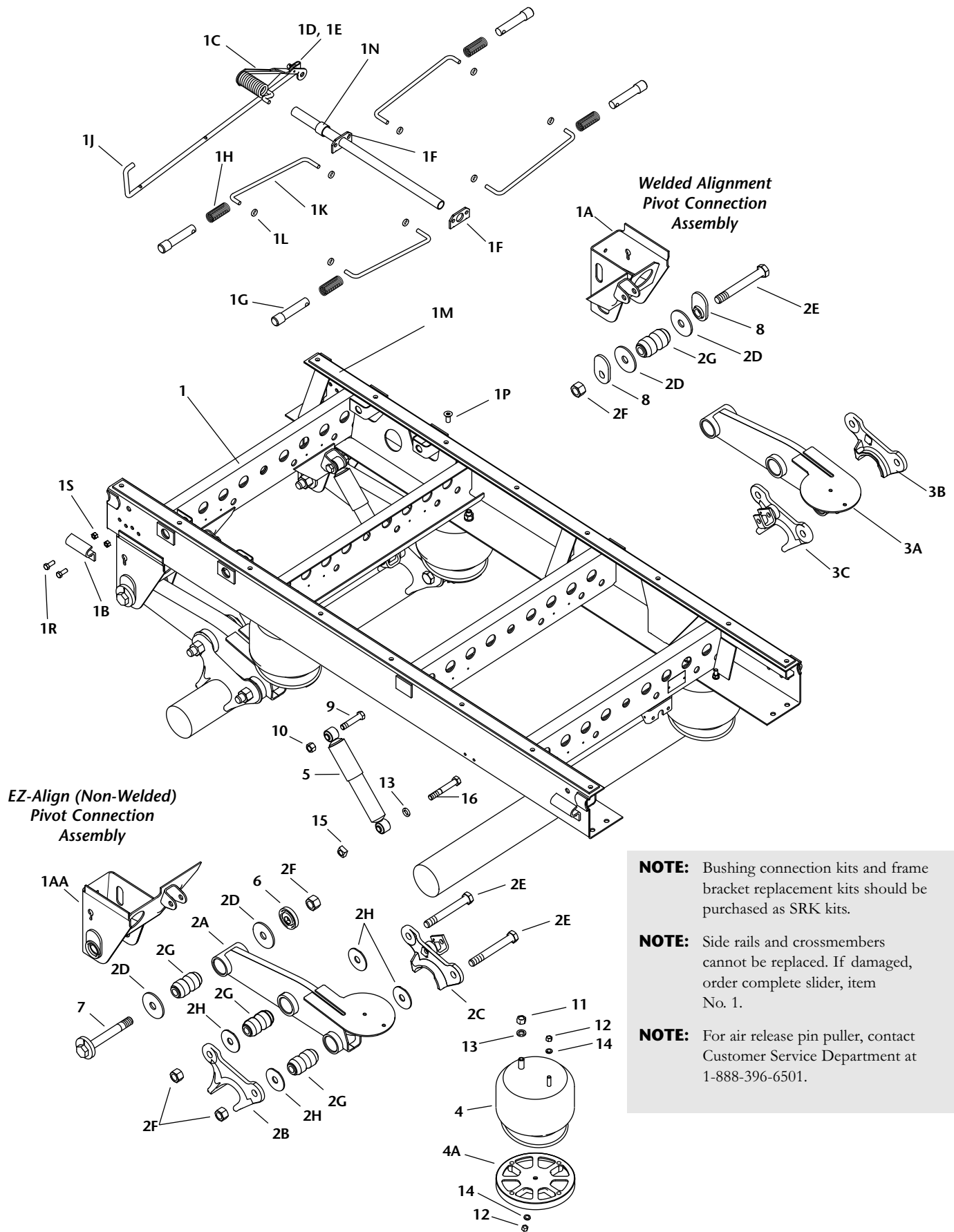
Suspension Components

ITEM NO.	DESCRIPTION	NS-400-16.0	NS-400-16.5	NS-400-17.0	NS-400-18.0	QTY.
2A	Equalizing Beam LH (bushed beam only)	90516945	90516945	90516945	90516945	2
2B	Axle Adapter LH (outside)	90001215	90001215	90001215	90001215	2
2C	Axle Adapter LH (inside)	90501350	90501350	90501350	90501350	2
2D***	Pivot Connection Wear Washer	90036177	90036177	90036177	90036177	8
2E***	Pivot Bolt 1.125"-7 x 8.5" LG	93201051	93201051	93201051	93201051	10
2F***	Hex Lock Nut 1.125"-7	93400506	93400506	93400506	93400506	6
2G***	Bushing	90008149	90008149	90008149	90008149	12
2H***	Axle Connection Wear Washer	90036217	90036217	90036217	90036217	16
3A	Equalizing Beam RH (bushed beam only)	90516946	90516946	90516946	90516946	2
3B	Axle Adapter RH (outside)	90001216	90001216	90001216	90001216	2
3C	Axle Adapter RH (inside)	90501351	90501351	90501351	90501351	2
4	Air Spring	90557223	90557225	90557225	90557194	4
5	Shock Absorber	90045298	90044162	90045299	90045040	4
6***	Alignment Block	90008238	90008238	90008238	90008238	2
7***	Pivot Bolt Assembly	90508019	90508019	90508019	90508019	2
8***	Alignment Plate	90008234	90008234	90008234	90008234	4
9	Hex Bolt .75"-10 x 3.50"	93003597	93003597	93003597	93003597	8
10	Hex Lock Nut .75"-10	93400492	93400492	93400492	93400492	4
11	Hex Nut .75"-16	93400149	93400149	93400149	93400149	4
12	Hex Nut .50"-13	93400136	93400136	93400136	93400136	8
13	Washer .78"	93600077	93600077	93600077	93600077	8
14	Washer .53"	93600072	93600072	93600072	93600072	8
15	Square Nut .75"-10	93400367	93400367	93400367	93400367	4
16	Hex Bolt .75"-10 x 5.0"	93003633	93003633	93003633	93003633	4

*** Replacement components should be purchased in bushing connection SRK kits.

This page intentionally left blank

NS450 SLIDER BOX AND SUSPENSION EXPLODED VIEW



NS450 SLIDER BOX PARTS LIST

NOTE: For 108" and 120" Slider Boxes and Components Contact:
 Technical/Customer Service Department: 1-888-396-6501

**NOT ALL COMPONENTS
 SOLD SEPARATELY**

Slider Components

ITEM NO.	DESCRIPTION	96" SLIDER BOX RAIL STYLE	NS-450-16.0	NS-450-16.5	NS-450-17.0	NS-450-18.0	QTY.
1	Slider Assy. w/Qwik Release w/ 2 NW & 2 WA Frame Brkts.*	NSB**	42" - NL3Q22-112N000Y0 48" - NL3Q12-112N000Y0	42" - NL3Q22-122N000Y0 48" - NL3Q12-122N000Y0	42" - NL3Q22-132N000Y0 48" - NL3Q12-132N000Y0	42" - NL3Q22-142N000Y0 48" - NL3Q12-142N000Y0	1
		NSH**	42" - NH3Q22-112N000Y0 48" - NH3Q12-112N000Y0	42" - NH3Q22-122N000Y0 48" - NH3Q12-122N000Y0	42" - NH3Q22-132N000Y0 48" - NH3Q12-132N000Y0	42" - NH3Q22-142N000Y0 48" - NH3Q12-142N000Y0	
		NST**	42" - NT3Q22-112N000Y0 48" - NT3Q12-112N000Y0	42" - NT3Q22-122N000Y0 48" - NT3Q12-122N000Y0	42" - NT3Q22-132N000Y0 48" - NT3Q12-132N000Y0	42" - NT3Q22-142N000Y0 48" - NT3Q12-142N000Y0	
		NSU**	42" - NU3Q22-112N000Y0 48" - NU3Q12-112N000Y0	42" - NU3Q22-122N000Y0 48" - NU3Q12-122N000Y0	42" - NU3Q22-132N000Y0 48" - NU3Q12-132N000Y0	42" - NU3Q22-142N000Y0 48" - NU3Q12-142N000Y0	
1	Slider Assy. w/Qwik Release w/ 4 NW Frame Brackets*	NSB**	42" - NL3Q22-111N000Y0 48" - NL3Q12-111N000Y0	42" - NL3Q22-121N000Y0 48" - NL3Q12-121N000Y0	42" - NL3Q22-131N000Y0 48" - NL3Q12-131N000Y0	42" - NL3Q22-141N000Y0 48" - NL3Q12-141N000Y0	1
		NSH**	42" - NH3Q22-111N000Y0 48" - NH3Q12-111N000Y0	42" - NH3Q22-121N000Y0 48" - NH3Q12-121N000Y0	42" - NH3Q22-131N000Y0 48" - NH3Q12-131N000Y0	42" - NH3Q22-141N000Y0 48" - NH3Q12-141N000Y0	
		NST**	42" - NT3Q22-111N000Y0 48" - NT3Q12-111N000Y0	42" - NT3Q22-121N000Y0 48" - NT3Q12-121N000Y0	42" - NT3Q22-131N000Y0 48" - NT3Q12-131N000Y0	42" - NT3Q22-141N000Y0 48" - NT3Q12-141N000Y0	
		NSU**	42" - NU3Q22-111N000Y0 48" - NU3Q12-111N000Y0	42" - NU3Q22-121N000Y0 48" - NU3Q12-121N000Y0	42" - NU3Q22-131N000Y0 48" - NU3Q12-131N000Y0	42" - NU3Q22-141N000Y0 48" - NU3Q12-141N000Y0	
1A	Frame Bracket (Welded)	Roadside	N/A	N/A	N/A	N/A	N/A
		Curbside	See Holland Literature XL-AR321				N/A
1AA	Frame Bracket (EZ-Align)	Roadside	See Holland Literature XL-AR321				N/A
		Curbside	See Holland Literature XL-AR321				N/A
1B	Hold Down Clip		42" - SLO893 48" - SLO893	42" - SLO893 48" - SLO893	42" - SLO893 48" - SLO893	42" - SLO893 48" - SLO893	4
1C	Center Pin Pull Assembly		42" - SLOA1277-01 48" - SLOA1277-01	42" - SLOA1277-01 48" - SLOA1277-01	42" - SLOA1277-01 48" - SLOA1277-01	42" - SLOA1277-01 48" - SLOA1277-01	1
1D	Clip		42" - SLOA1273 48" - SLOA1273	42" - SLOA1273 48" - SLOA1273	42" - SLOA1273 48" - SLOA1273	42" - SLOA1273 48" - SLOA1273	1
1E	Cotter Pin 3/16" x 1 1/2"		42" - XB-CTP-014-59 48" - XB-CTP-014-59	42" - XB-CTP-014-59 48" - XB-CTP-014-59	42" - XB-CTP-014-59 48" - XB-CTP-014-59	42" - XB-CTP-014-59 48" - XB-CTP-014-59	1
1F	Torsion Cam		42" - SLOA1274 48" - SLOA1274	42" - SLOA1274 48" - SLOA1274	42" - SLOA1274 48" - SLOA1274	42" - SLOA1274 48" - SLOA1274	2
1G	Lock Pin Hutch Style 1 5/8" Dia.		42" - SLOA1261 48" - SLOA1261	42" - SLOA1261 48" - SLOA1261	42" - SLOA1261 48" - SLOA1261	42" - SLOA1261 48" - SLOA1261	4
	Lock Pin 1 3/8" Dia. All Others		42" - SLOA1238 48" - SLOA1238	42" - SLOA1238 48" - SLOA1238	42" - SLOA1238 48" - SLOA1238	42" - SLOA1238 48" - SLOA1238	4
1H	Compression Spring		42" - XB-SPG-020-35 48" - XB-SPG-020-35	42" - XB-SPG-020-35 48" - XB-SPG-020-35	42" - XB-SPG-020-35 48" - XB-SPG-020-35	42" - XB-SPG-020-35 48" - XB-SPG-020-35	4
1J	Pull Handle		42" - SLOA1269-02 48" - SLOA1269-01	42" - SLOA1269-02 48" - SLOA1269-01	42" - SLOA1269-02 48" - SLOA1269-01	42" - SLOA1269-02 48" - SLOA1269-01	1
1K	Pin Pull Rod		42" - SLOA1239-01 48" - SLOA1239-02	42" - SLOA1239-01 48" - SLOA1239-02	42" - SLOA1239-01 48" - SLOA1239-02	42" - SLOA1239-01 48" - SLOA1239-02	4
1L	Washer 1/2" (Pin Pull Rod)		42" - XB-PW-016-85 48" - XB-PW-016-85	42" - XB-PW-016-85 48" - XB-PW-016-85	42" - XB-PW-016-85 48" - XB-PW-016-85	42" - XB-PW-016-85 48" - XB-PW-016-85	8
1M	Slider Pad 96" (Long)		42" - XB-SLOA1054 48" - XB-SLOA1054	42" - XB-SLOA1054 48" - XB-SLOA1054	42" - XB-SLOA1054 48" - XB-SLOA1054	42" - XB-SLOA1054 48" - XB-SLOA1054	2
1N	Spacer		42" - SLO523-07 48" - SLO523-07	42" - SLO523-07 48" - SLO523-07	42" - SLO523-07 48" - SLO523-07	42" - SLO523-07 48" - SLO523-07	1
1P	Self Tap Screw 5/16"-18 x 3/4"		42" - XB-STS-008-16 48" - XB-STS-008-16	42" - XB-STS-008-16 48" - XB-STS-008-16	42" - XB-STS-008-16 48" - XB-STS-008-16	42" - XB-STS-008-16 48" - XB-STS-008-16	16
1R	Bolt 1/2"-13 x 1 1/4"		42" - XB-HHC-001-33 48" - XB-HHC-001-33	42" - XB-HHC-001-33 48" - XB-HHC-001-33	42" - XB-HHC-001-33 48" - XB-HHC-001-33	42" - XB-HHC-001-33 48" - XB-HHC-001-33	8
1S	Lock Nut 1/2"-13		42" - XB-SLN-012-42 48" - XB-SLN-012-42	42" - XB-SLN-012-42 48" - XB-SLN-012-42	42" - XB-SLN-012-42 48" - XB-SLN-012-42	42" - XB-SLN-012-42 48" - XB-SLN-012-42	8

* NW = EZ-Align (Non-Welded) style and WA = Welded Alignment style frame brackets.

**NSB = Holland slider box rail style; NSH = Hutch slider box rail style; NST = TTMA slider box rail style; NSU = Utility slider box rail style.

NS450 SUSPENSION PARTS LIST *continued*

Suspension Components

ITEM NO.	DESCRIPTION	NS-450-16.0	NS-450-16.5	NS-450-17.0	NS-450-18.0	QTY.
2A	Equalizing Beam LH (bushed beam only)	90516991	90516991	90516991	90516991	2
2B	Axle Adapter LH (outside)	90001215	90001215	90001215	90001215	2
2C	Axle Adapter LH (inside)	90501350	90501350	90501350	90501350	2
2D***	Pivot Connection Wear Washer	90036177	90036177	90036177	90036177	8
2E***	Pivot Bolt 1.125"-7 x 8.5" LG	93201051	93201051	93201051	93201051	10
2F***	Hex Lock Nut 1.125"-7	93400506	93400506	93400506	93400506	6
2G***	Bushing	90008149	90008149	90008149	90008149	12
2H***	Axle Connection Wear Washer	90036217	90036217	90036217	90036217	16
3A	Equalizing Beam RH (bushed beam only)	90516992	90516992	90516992	90516992	2
3B	Axle Adapter RH (outside)	90001216	90001216	90001216	90001216	2
3C	Axle Adapter RH (inside)	90501351	90501351	90501351	90501351	2
4	Air Spring	90557271	90557272	90557272	90557273	4
4A	Air Spring Spacer	N/A	90045362	90045362	90045362	1‡
5	Shock Absorber	90045298	90044162	90045299	90045040	4
6***	Alignment Block	90008238	90008238	90008238	90008238	2
7***	Pivot Bolt Assembly	90508019	90508019	90508019	90508019	2
8***	Alignment Plate	90008234	90008234	90008234	90008234	4
9	Hex Bolt .75"-10 x 3.50"	93003597	93003597	93003597	93003597	8
10	Hex Lock Nut .75"-10	93400492	93400492	93400492	93400492	4
11	Hex Nut .75"-16	93400149	93400149	93400149	93400149	4
12	Hex Nut .50"-13	93400136	93400136	93400136	93400136	8
13	Washer .78"	93600077	93600077	93600077	93600077	8
14	Washer .53"	93600072	93600072	93600072	93600072	8
15	Square Nut .75"-10	93400367	93400367	93400367	93400367	4
16	Hex Bolt .75"-10 x 5.0"	93003633	93003633	93003633	93003633	4

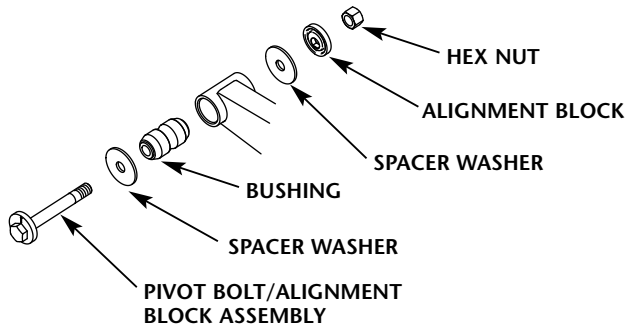
*** Replacement components should be purchased in bushing connection SRK kits.

‡ For NS-450 model only; 16.5" and 17.0" use one spacer; 18.0" uses two spacers.

NS400/450 SERVICE REPAIR KITS (SRKs)

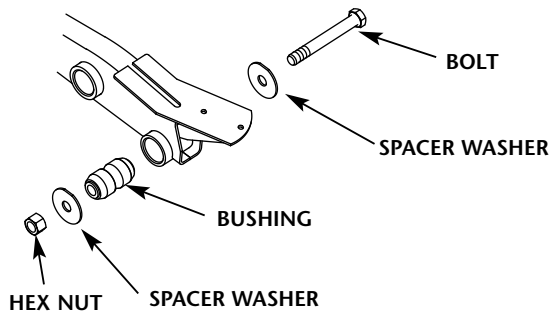
Pivot Connection Kits

DESCRIPTION	SRK NO.	PART NO.	APPLICATION
1 side welded & 1 side EZ-Align	SRK-525	481 00 389	1 Kit Req. per Axle
2 EZ-Align	SRK-521	481 00 385	1 Kits Req. per Axle



Axle Connection Kit

SRK NO.	PART NO.	APPLICATION
SRK-457	481 00 320	1 Kit Req. per Axle



Frame Bracket Replacement Kits

"A" DIM.*	PART NO.	APPLICATION
9.06" (230mm)	110 04 028	Roadside
9.06" (230mm)	110 04 029	Curbside
10.06" (256mm)	110 04 030	Roadside
10.06" (256mm)	110 04 031	Curbside

* See **FIGURE** below for "A" dimension.

IMPORTANT: Welded Alignment frame brackets **must** be replaced with EZ-Align (non-welded) frame brackets.

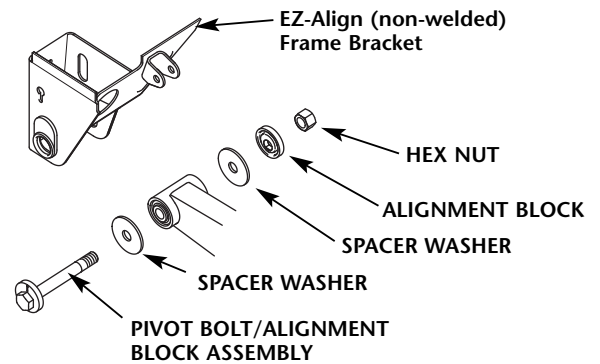
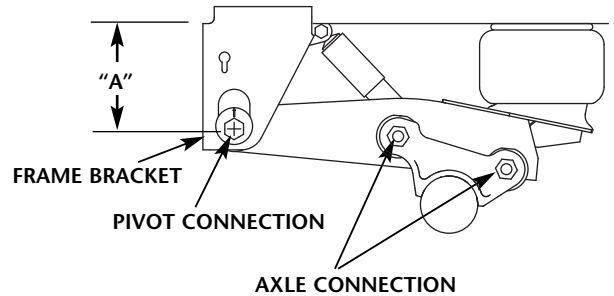


FIGURE "A" DIMENSION

Pivot and Axle Connections

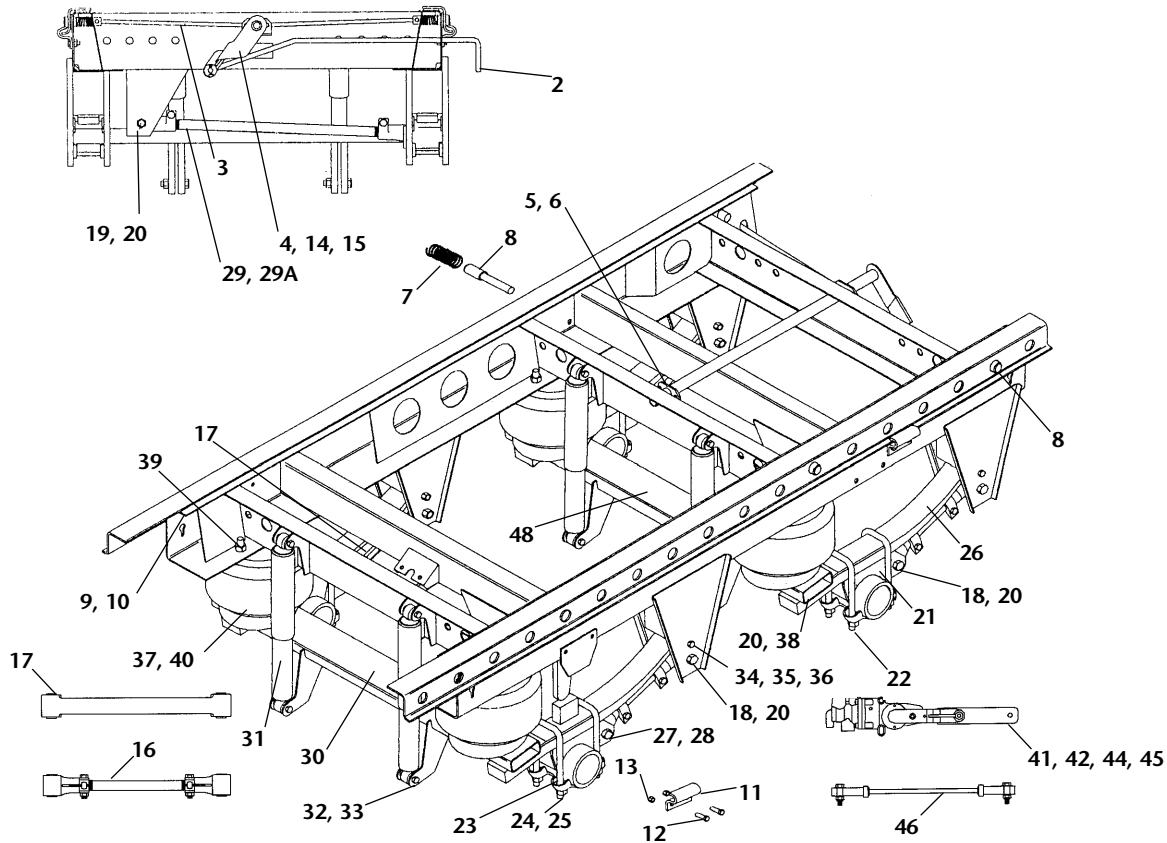


NS190 PARTS LIST

ITEM NO.	LENGTH	NS190-16.0	NS190-16.5	NS190-17.0	NS190-18.0	DESCRIPTION	QTY.
1	2NW* 2WA* Frame Brkt.	84" 42" - 90546161 48" - 90546155	42" - 90546164 48" - 90546158	42" - 90546164 48" - 90546158	42" - 90546164 48" - 90546158	Slider Assembly	1
	100"	42" - 90546211 48" - 90546205	42" - 90546214 48" - 90546208	42" - 90546214 48"-90546208	42" - 90546214 48" - 90546208		
1	4 NW* Frame Brkt.	84" 42" - 90546163 48" - 90546157	42" - 90546166 48" - 90546160	42" - 90546166 48" - 90546160	42" - 90546166 48" - 90546160	Slider Assembly	1
	100"	42" - 90546213 48" - 90546207	42" - 90546216 48" - 90546210	42" - 90546216 48" - 90546210	42" - 90546216 48" - 90546210		
1A	84"/100"	90045301	90045301	90045301	90045301	Clip (hold down)	4
1B	84"/100"	90038413	90038413	90038413	90038413	Tube 28.5 x 1.31 x .109	1
1C	84"/100"	90045302	90045302	90045302	90045302	Cam-puller	2
1D	84"/100"	90034145	90034145	90034145	90034145	Rivet Pin	8
1E	84"/100"	42" - 90034147	42" - 90034147	42" - 90034147	42" - 90034147	Link	4
		48" - 90034146	48" - 90034146	48" - 90034146	48" - 90034146		
1F	84"/100"	90057092	90057092	90057092	90057092	Spring	4
1G	84"/100"	90045303	90045303	90045303	90045303	Pin (cast lock)	4
1H	84"/100"	*	*	*	*	Slider Pad	2
1J	84"/100"	90045305	90045305	90045305	90045305	Clip (link attachment)	1
1K	84"/100"	90045306	90045306	90045306	90045306	Crank	1
1L	84"/100"	90045307	90045307	90045307	90045307	Pull Handle	1
2A	84"/100"	90516816	90516816	90516816	90516816	Equalizing Beam LH (bushed beam only)	2
2B	84"/100"	90001215	90001215	90001215	90001215	Axle Adapter LH (outside)	2
2C	84"/100"	90501350	90501350	90501350	90501350	Axle Adapter LH (inside)	2
2D	84"/100"	90036177	90036177	90036177	90036177	Pivot Connection Wear Washer	8
2E	84"/100"	93201051	93201051	93201051	93201051	Hex Bolt 1.125-7 x 8.5 LG	10
2F	84"/100"	93400506	93400506	93400506	93400506	Hex Lock Nut 1.125-7	6
2G	84"/100"	90008149	90008149	90008149	90008149	Bushing	12
2H	84"/100"	90036217	90036217	90036217	90036217	Axle Connection Wear Washer	16
3A	84"/1100"	90516817	90516817	90516817	90516817	Equalizing Beam RH (bushed beam only)	2
3B	84"/100"	90001216	90001216	90001216	90001216	Axle Adapter RH (outside)	2
3C	84"/100"	90501351	90501351	90501351	90501351	Axle Adapter RH (inside)	2
4	84"/100"	90557223	90557225	90557225	90557194	Air Spring	4
5	84"/100"	90044162	90045040	90045040	90045054	Shock Absorber	4
6	84"/100"	90008186	90008186	90008186	90008186	Alignment Block	2
7	84"/100"	90508009	90508009	90508009	90508009	Alignment Block Assembly	2
8	84"/100"	90008198	90008198	90008198	90008198	Alignment Block	4
10	84"/100"	93003597	93003597	93003597	93003597	Hex Bolt .75-10 x 3.50	8
11	84"/100"	93400492	93400492	93400492	93400492	Hex Lock Nut .75-10	4
12	84"/100"	93400149	93400149	93400149	93400149	Hex Nut .75-16	4
13	84"/1100"	93400136	93400136	93400136	93400136	Hex Nut .50-13	10
14	84"/100"	93600077	93600077	93600077	93600077	Washer .78	8
15	84"/100"	93600072	93600072	93600072	93600072	Washer .53	10
16	84"/100"	90034101	90034101	90034101	90034101	EOL Rod Support Plate	2
17	84"/100"	90546122	90546122	90546122	90546122	EDL Actuator Chamber	1
18	84"/100"	93400472	93400472	93400472	93400472	Hex Lock Nut .38-16	4
19	84"/100"	90054811	90054811	90054811	90054811	Choke Valve	4
20	84"/100"	42" - 90546178	42" - 90546270	42" - 90546136	42" - 90546138		4
		48" - 90546177	48" - 90546269	48" - 90546132	48" - 90546134		
22	84"/100"	93400367	93400367	93400367	93400367	Square Nut .75-10	4
23	84"/100"	93003633	93003633	93003633	93003633	Hex Bolt .75-10 x 5.0	4
24	84" only	90034137	90034137	90034137	90034137	Mud Flap Bracket	2
25	84" only	93002907	93002907	93002907	93002907	Hex Bolt .5-13	4
26	84" only	93400480	93400480	93400480	93400480	Hex Lock Nut .50-13	4
27	84"/100"	9999048	9999048	9999048	9999048	1/2" Clevis Assem. w/ 1/2" Pin	1
28	84"/100"	90054814	90054814	90054814	90054814	HCV Link Bracket	1

* Please Contact SAF-HOLLAND Customer Service (1.888.396.6501) for Part Information

AIRLITE2 PARTS EXPLOSION/PARTS LIST

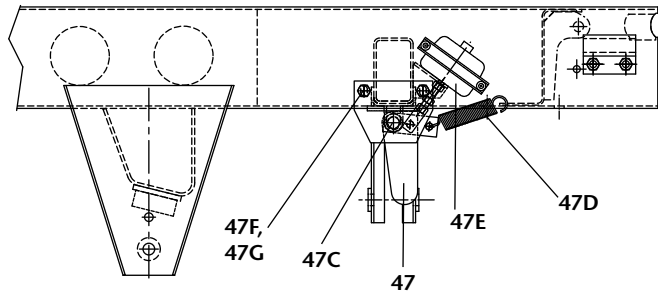


ITEM NO.	DESCRIPTION	HOLLAND PART NO.	QTY.
1	W/A, Sub Frame	N/A	1
2	Arm, Pull	42" - SLOA1122-42 48" - SLOA1122-48	1
3	Arm, Linkage	42" - SLOA1058-02 48" - SLOA1058-01	4
4	Qwik Release [®] Replacement Kit	SL0019-01	1
5	Spacer	SL00523-01	1
6	Torsion Cam	SL0994	1
7	Spring, Compression	XB-SPG-020-33	4
8	Pin, Step Lock	SLOA1056	4
9	Self Tap Screw $\frac{3}{16}$ "-18 x $\frac{3}{4}$ "	XB-ST5-008-16	16
10	Slider Pad 96" (Long)	XB-SLOA1054	2
11	Bracket, Hold Down	SL0893	4
12	Screw, Hex Cap $\frac{1}{2}$ "-13 x $1\frac{1}{4}$ "	XB-HHC-001-33	8
13	Lock Nut $\frac{1}{2}$ "-13	XB-SLN-012-42	8
14	Cotter Pin $\frac{3}{16}$ " x $1\frac{1}{2}$ "	XB-CTP-014-59	1
15	Flat Washer	XB-PW-016-08	1
16	Assembly, Adjustable Torque Arm	SP0202-01	2
17	Assembly, Fixed Torque Arm	SP0224	2
18	Screw, Hex Cap $\frac{7}{8}$ "-14 x $5\frac{1}{2}$ "	XB-SP0050-72	8
19	Screw, Hex Cap $\frac{7}{8}$ "-14 x 4.81"	XB-SP0050-75	4
20	Nut, Hex Flange $\frac{7}{8}$ "-14	XB-SP0012-36	16
21	W/A, Spring Seat Riser	See Chart 2 (next pg)	4
22	Bottom Plates	SP0099/SP0192	4
23	Flat Top U-Bolts	See Chart 2 (next pg)	8
24	Nut, Hex $\frac{3}{4}$ "-16	XB-SP0011-44	16

ITEM NO.	DESCRIPTION	HOLLAND PART NO.	QTY.
25	Washer, Flat-Hardened	XB-SP0016-67	16
26	Spring - Low Arch	XB-SP0205-01	4
27	Spring Liner Upper	XB-SP0203	4
28	Spring Liner Lower	XB-SP0204	4
29	Assembly, Cross Arm	42" - SP0202-09 48" - SP0202-10	2
30	W/A, Lower Beam Rear	See Chart 1 (next pg)	1
31	Shock Absorber, Monroe	XB-SPN-053-36	4
32	Screw, Hex Cap $\frac{3}{4}$ "-10 x $3\frac{1}{4}$ "	XB-SP0050-99	8
33	Nut, Self-Locking, $\frac{3}{4}$ "-10	XB-SP0012-49	8
34	Screw, Hex Hd. Cap $\frac{5}{8}$ "-11 x $5\frac{1}{4}$ "	XB-SP0050-101	4
35	Spacer, Sleeve	SP0221	4
36	Nut, Hex Self-Locking, $\frac{5}{8}$ "-11	XB-SP0012-10	4
37	Air Spring, Firestone	XB-SPN-053-60	4
38	Screw, Hex Hd. Cap $\frac{7}{8}$ "-14 x $2\frac{1}{2}$ "	XB-SP0050-100	4
39	Nut, Hex Self-Locking, $\frac{3}{4}$ "-16	XB-SP0012-51	4
40	Nut, Hex Self-Locking, $\frac{1}{2}$ "-13	XB-SP0012-52	8
41	Hadley 500 LV*	XB-SPN-053-58	1
	Hadley 500 LV* with auto dump	XB-SPN-053-54	
42	Hadley Pressure Protection Valve	XB-SPN-053-61	1
43**	Manual Switch Valve	XB-SPN-052-51	1
44	Screw, Hex Hd. Cap $\frac{1}{4}$ "-20 x $2\frac{1}{2}$ "	XB-HHC-050-109	2
45	Lock Nut, $\frac{1}{4}$ "-20	XB-SLN-012-60	2
46	Assembly, Hadley Link, 10.50" LG	XB-SPN-053-62	1
48	W/A, Lower Beam Front	See Chart 1 (next pg)	1

* LV = Leveling Valve.

** Item 43 not shown in diagram



AirLite2 Optional Air Level

ITEM NO.	DESCRIPTION	HOLLAND PART NO.	QTY.
47	W/A, Air Level Cam	SLOA1134-48/42	1
47A	Assy., Cam Bracket	SLOA1124	2
47B	Bracket, Mounting Air Chamber	SLOA1129	1
47C	Support Shaft	SLOA1123	1
47D	Spring Extension	XB-SPG-020-34	1
47E	Service Chamber	SL0969	1
47F	Screw, Hex Cap 1/2"-13 x 1-1/4"	XB-HHC-001-33	4
47G	Lock Nut 1/2"-13	XB-SLN-012-42	4

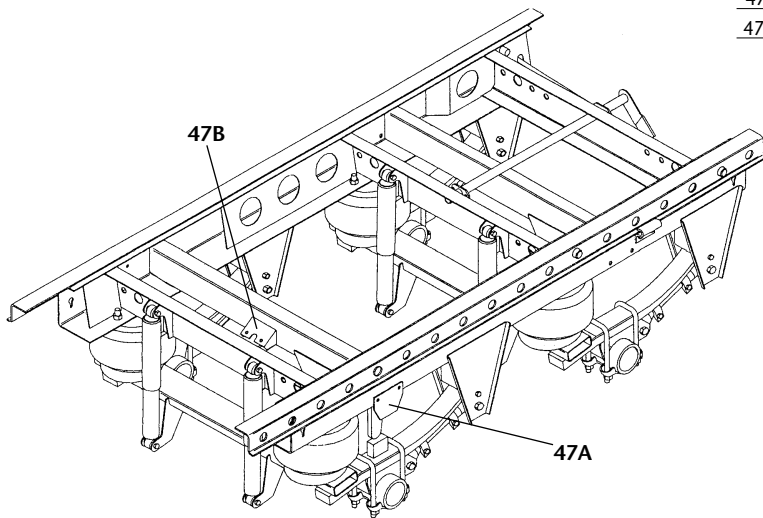


Chart 1

ITEM NO.	DESCRIPTION	HOLLAND PART NO.
2	Arm, Pull	42" - SLOA1122-42
		48" - SLOA1122-48
3	Arm, Linkage	42" - SLOA1058-02
		48" - SLOA1058-01
29	Cross Arm Assy.	42" - SP0202-09
		48" - SP0202-10
29A	Center Link	42" - SP0206-02
		48" - SP0206-03
30	W/A, Lower Beam, Rear (without air level)	42" - SP0278-42
		48" - SP0278-48
	W/A, Lower Beam (with air level)	42" - SP0284-42
		48" - SP0284-48
48	W/A, Lower Beam, Front	42" - SP0277-42
		48" - SP0277-48

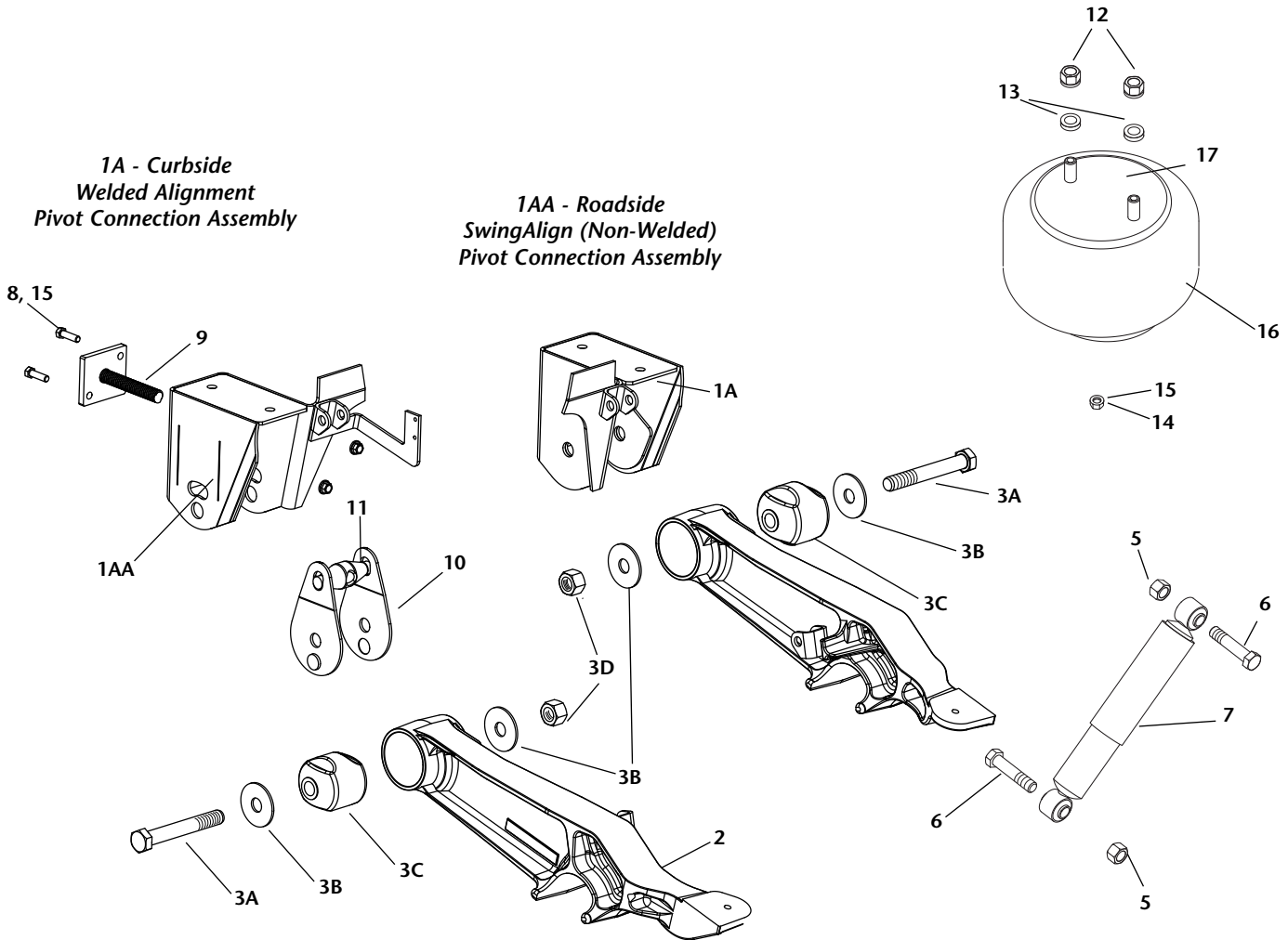
Chart 2

ITEM NO.	DESCRIPTION	RIDE HEIGHT/SEAT HEIGHT			
		16.0" / 3/4"	16.5" / 1-1/4"	17.0" / 1-3/4"	17.5" / 2-1/4"
21	W/A, Spring Seat Riser	SP0142-01	SP0142-02	SP0142-03	SP0142-04
23	Flat Top U-Bolts	XB-SP0074-H	XB-SP0074-J	XB-SP0074-K	XB-SP0074-L

CB2300 SUSPENSION EXPLODED VIEW

*1A - Curbside
Welded Alignment
Pivot Connection Assembly*

*1AA - Roadside
SwingAlign (Non-Welded)
Pivot Connection Assembly*



NOTE: Bushing connection kits and frame bracket replacement kits should be purchased as SRKs.

CB2300 SUSPENSION PARTS LIST

ITEM NO.	DESCRIPTION	CB2300-14	CB2300-15	CB2300-16	CB2300-17	QTY.
1A*	Frame Bracket (Welded) - with integral brace	481 00 465	481 00 466	481 00 467	481 00 467	1
1AA*	Frame Bracket (SwingAlign) - with integral brace	481 00 462	481 00 464	481 00 463	481 00 463	1
2	Equalizing Beam LH (roadside - bushed beam only)	Not Available	Not Available	Not Available	Not Available	-
3A*	Pivot Bolt 1-1/8"-7 x 8.0" LG GR 8	932 01 070	932 01 070	932 01 070	932 01 070	2
3B*	Pivot Connection Washer	936 00 553	936 00 553	936 00 553	936 00 553	4
3C*	Bushing	900 08 247	900 08 247	900 08 247	900 08 247	2
3D*	Hex Lock Nut 1-1/8"-7	934 00 506	934 00 506	934 00 506	934 00 506	2
4	Equalizing Beam RH (curbside - bushed beam only)	Not Available	Not Available	Not Available	Not Available	-
5	Hex Lock Nut 3/4"-10	934 00 492	934 00 492	934 00 492	934 00 492	4
6	Hex Bolt 3/4"-10 x 3.50" GR 5	930 03 597	930 03 597	930 03 597	930 03 597	4
7	Shock Absorber	900 44 868	900 45 381	900 45 298	900 45 298	2
8	Hex Bolt 1/2"-13 x 1-3/4"	XB-HHC-001-33	XB-HHC-001-33	XB-HHC-001-33	XB-HHC-001-33	2
9	Threaded Rod Assembly	905 48 007	905 48 007	905 48 007	905 48 007	1
10	Alignment Plate	905 31 339	905 31 339	905 31 339	905 31 339	1
11	SwingAlign Yoke	900 45 491	900 45 491	900 45 491	900 45 491	1
12	Hex Nut 3/4"-16	934 00 149	934 00 149	934 00 149	934 00 149	4
13	Washer 3/4"	936 00 077	936 00 077	936 00 077	936 00 077	4
14	Hex Nut 1/2"-13	934 00 136	934 00 136	934 00 136	934 00 136	2
15	Washer 1/2"	936 00 072	936 00 072	936 00 072	936 00 072	2
16	Air Spring	905 57 330	905 57 331	905 57 332	905 57 332	2
17	Plate, Mounting, Air Spring	900 34 247	900 34 247	900 34 247	900 34 247	2

* Replacement components should be purchased in SRK kits.

**FOR BOLT ON SUSPENSION CONTACT HOLLAND TECHNICAL SERVICE (1-888-396-6501)
FOR FRAME BRACKETS AND SHOCK ABSORBER PART NUMBERS.**

NOTE: When ordering SRK part numbers, all necessary components to complete an axle installation are included.

FIGURE 7 **Roadside Frame Bracket**

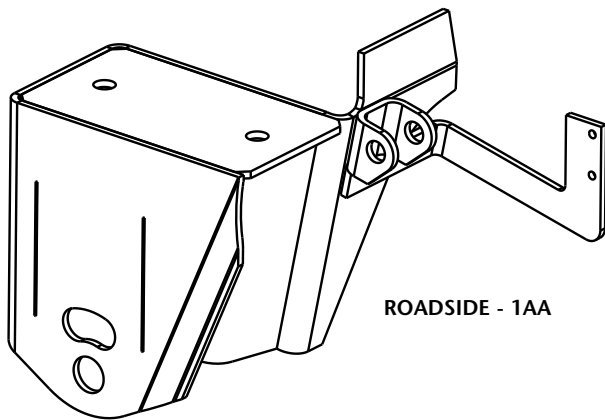
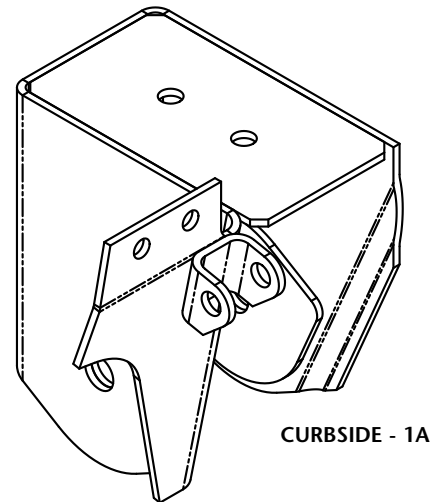


FIGURE 8 **Curbside Frame Bracket**

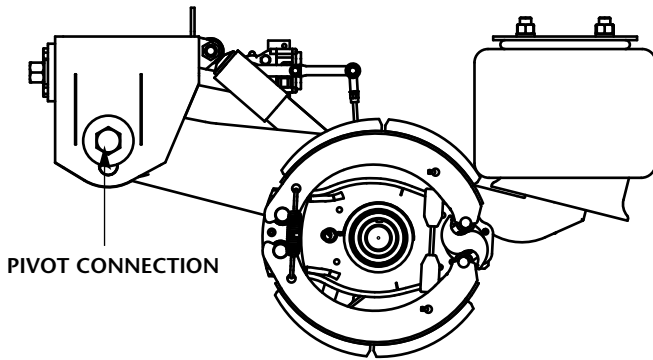


CB2300 SERVICE REPAIR KITS (SRKs)

The CB2300 suspension provides Service Repair Kits (SRKs) for the replacement of pivot connections and frame brackets (**FIGURE 4**).

NOTE: The Holland Bushing Service tool, part no. 505 44 015, is available to ease removal and replacement of bushings. Contact your Holland distributor for details.

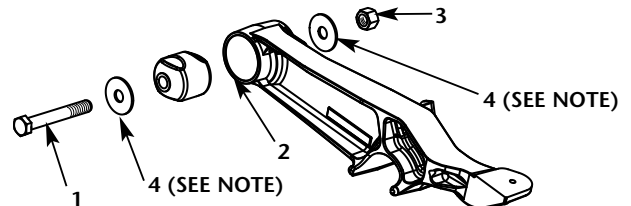
FIGURE 4 **Pivot Connection and Axle Weld**



Pivot Connection Replacement Kit SRK-530

481 00 394

ITEM	PART NO.	DESCRIPTION	QTY.
1	932 01 070	Rod Bolt 1 ¹ / ₈ " - 7 x 8"	2
2	900 08 247	Rubber Bushing	2
3	934 00 506	Lock Nut 1 ¹ / ₈ " - 7	2
4	936 00 553	Washer	4

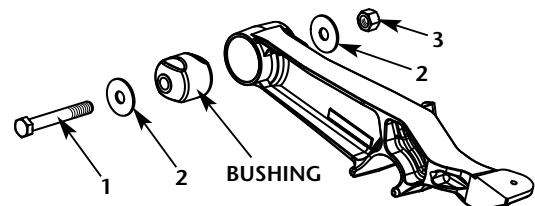
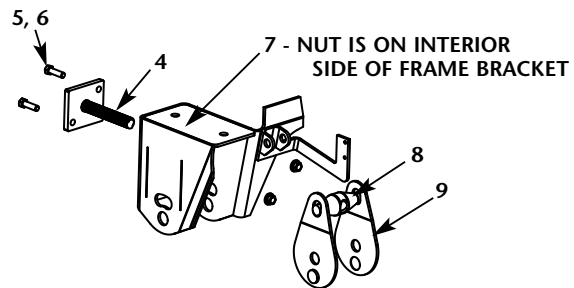


NOTE:
LOCATED UNDER BOLT
AND NUT OUTSIDE OF
FRAME BRACKET.

SwingAlign Replacement Kit SRK-542:

481 00 406

ITEM	PART NO.	DESCRIPTION	QTY.
1	932 01 070	Rod Bolt 1 ¹ / ₈ " - 7 x 8"	1
2	936 00 553	Washer	4
3	934 00 506	Lock Nut 1 ¹ / ₈ " - 7	1
4	905 48 007	Threaded Rod Assembly	1
5	XB-HHC-001-33	Bolt, Hex 1/2" - 13 x 1 ³ / ₄ "	2
6	936 00 072	Washer, Lock 1/2"	2
7	934 00 136	Nut, Hex 1/2" - 13	2
8	900 45 491	SwingAlign Yoke	1
9	905 31 339	Alignment Plate	2



When servicing your CB2300 Series suspension, select from the convenient service repair kits.

NOTE: One (1) SRK Required per axle.

CB2300 SERVICE REPAIR KITS (SRKs) *continued*

SwingAlign Frame Bracket Replacement Kit

SRK-598: Ride Height -14" 481 00 462

ITEM	PART NO.	DESCRIPTION	QTY.
1	932 01 070	Rod Bolt 1 ¹ / ₈ " - 7 x 8"	2
2	936 00 553	Washer	4
3	934 00 506	Lock Nut 1 ¹ / ₈ " - 7	2
4	905 21 823	Frame Bracket, Roadside	1
5	905 48 007	Threaded Rod Assembly	1
6	XB-HHC-001-33	Bolt, Hex 1 ¹ / ₂ " - 13 x 1 ³ / ₄ "	2
7	936 00 072	Washer, Lock 1 ¹ / ₂ "	2
8	934 00 136	Nut, Hex 1 ¹ / ₂ " - 13	2
9	900 45 491	SwingAlign Yoke	1
10	905 31 339	Alignment Plate	2

SwingAlign Frame Bracket Replacement Kit

SRK-599: Ride Height -16" & -17" 481 00 463

ITEM	PART NO.	DESCRIPTION	QTY.
1	932 01 070	Rod Bolt 1 ¹ / ₈ " - 7 x 8"	2
2	936 00 553	Washer	4
3	934 00 506	Lock Nut 1 ¹ / ₈ " - 7	2
4	905 21 825	Frame Bracket, Roadside	1
5	905 48 007	Threaded Rod Assembly	1
6	XB-HHC-001-33	Bolt, Hex 1 ¹ / ₂ " - 13 x 1 ³ / ₄ "	2
7	936 00 072	Washer, Lock 1 ¹ / ₂ "	2
8	934 00 136	Nut, Hex 1 ¹ / ₂ " - 13	2
9	900 45 491	SwingAlign Yoke	1
10	905 31 339	Alignment Plate	2

SwingAlign Frame Bracket Replacement Kit

SRK-600: Ride Height -15" 481 00 464

ITEM	PART NO.	DESCRIPTION	QTY.
1	932 01 070	Rod Bolt 1 ¹ / ₈ " - 7 x 8"	2
2	936 00 553	Washer	4
3	934 00 506	Lock Nut 1 ¹ / ₈ " - 7	2
4	905 21 824	Frame Bracket, Roadside	1
5	905 48 007	Threaded Rod Assembly	1
6	XB-HHC-001-33	Bolt, Hex 1 ¹ / ₂ " - 13 x 1 ³ / ₄ "	2
7	936 00 072	Washer, Lock 1 ¹ / ₂ "	2
8	934 00 136	Nut, Hex 1 ¹ / ₂ " - 13	2
9	900 45 491	SwingAlign Yoke	1
10	905 31 339	Alignment Plate	2

Fixed Frame Bracket Replacement Kit

SRK-601 Ride Height -14" 481 00 465

ITEM	PART NO.	DESCRIPTION	QTY.
1	932 01 070	Rod Bolt 1 ¹ / ₈ " - 7 x 8"	2
2	936 00 553	Washer	4
3	905 21 826	Frame Bracket, Curbside	1
4	934 00 506	Lock Nut 1 ¹ / ₈ " - 7	2

Fixed Frame Bracket Replacement Kit

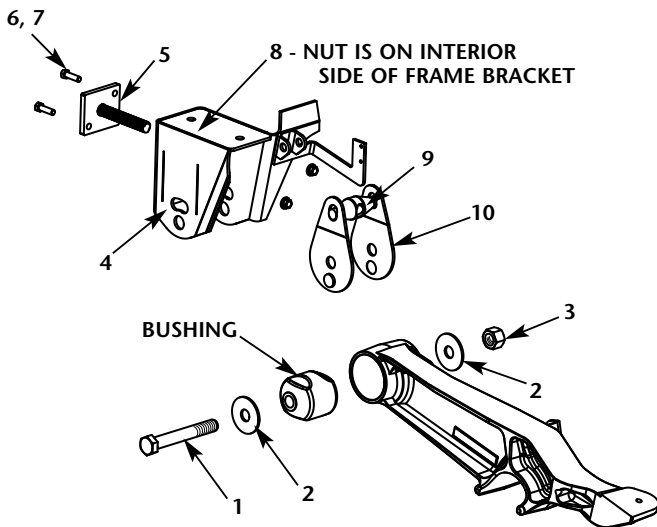
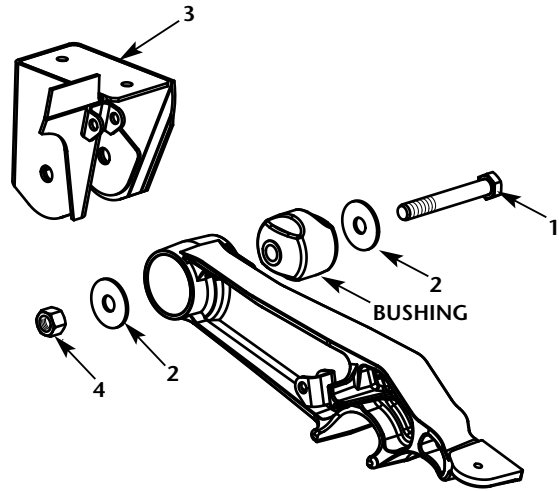
SRK-602 Ride Height -15" 481 00 466

ITEM	PART NO.	DESCRIPTION	QTY.
1	932 01 070	Rod Bolt 1 ¹ / ₈ " - 7 x 8"	2
2	936 00 553	Washer	4
3	905 21 827	Frame Bracket, Curbside	1
4	934 00 506	Lock Nut 1 ¹ / ₈ " - 7	2

Fixed Frame Bracket Replacement Kit

SRK-603 Ride Height -16" & -17" 481 00 467

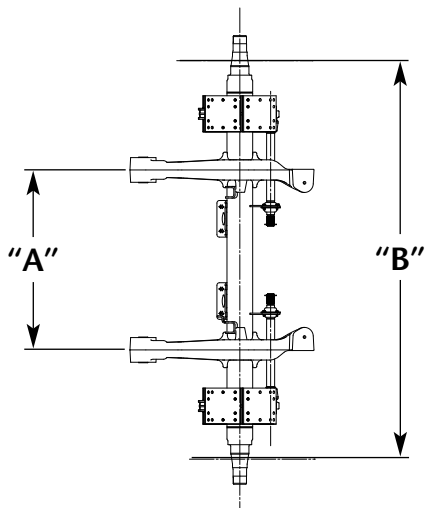
ITEM	PART NO.	DESCRIPTION	QTY.
1	932 01 070	Rod Bolt 1 ¹ / ₈ " - 7 x 8"	2
2	936 00 553	Washer	4
3	905 21 828	Frame Bracket, Curbside	1
4	934 00 506	Lock Nut 1 ¹ / ₈ " - 7	2



CB2300 BEAM ASSEMBLIES AND AXLES

NOTE: If axle and beam assemblies are required, refer to the axle serial number/part number tag located near the center of the axle.

FIGURE 5 **Beam Assemblies and Axles**



Beam Assemblies and Axles With and Without Beams

AXLE PART NO.: NO BEAMS	HOLLAND AXLE PART NO.: NO BEAMS	"B" AXLE TRACK	"A" BEAM CENTERS	ASSEMBLY PART NO.: WITH BEAMS
TQ4671 L 7739	905 48 197	71.5	35	905 48 235
TQ4671 L 7739	905 48 197	71.5	36	905 48 236
TQ4671 L 7740	905 48 198	77.5	35	905 48 237
TQ4671 L 7740	905 48 198	77.5	36	905 48 238
TQ4671 L 7738	905 48 205	71.5	35	905 48 207
TQ4671 L 7738	905 48 205	71.5	36	905 48 208
TQ4671 L 7746	905 48 206	77.5	35	905 48 209
TQ4671 L 7746	905 48 206	77.5	36	905 48 210

NOTE: It is recommended that the pivot bolt and nut be replaced, if an axle assembly is required.

SERVICE REPAIR KIT FOR BEAM ASSEMBLIES AND AXLES

Pivot Connection Service Repair Kit

SRK-607

481 00 471

ITEM	PART NO.	DESCRIPTION	QTY.
1	932 01 070	Pivot Bolt 1 ¹ / ₈ " - 7 x 8" Gr 8	2
2	934 00 506	Hex Lock Nut 1 ¹ / ₈ " - 7 Gr C	2
3	936 00 553	Washer	4

NOTE: A Service Repair Kit must be used with each axle and beam assembly.

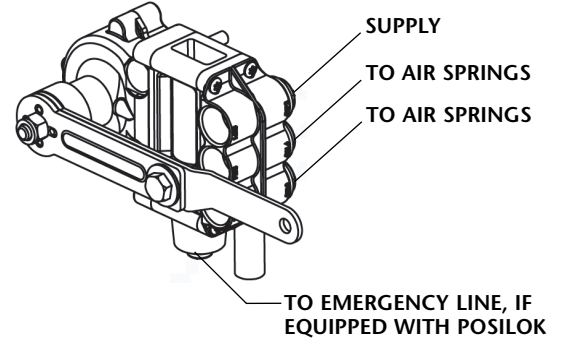
CB2300 AIR CONTROL PARTS

PR Valve Part Number Table

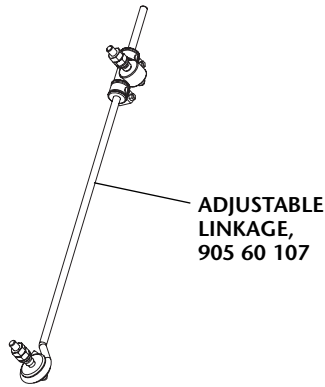
DESCRIPTION*	HOLLAND PART NO.
PR valve with integral dump - low flow	905 60 099
PR valve without dump	905 60 100

*All valves are set up for 3/8" fittings.

PR Valve Port Assignments



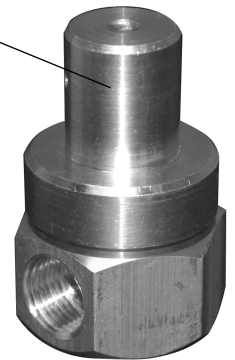
Adjustable Link



NOTE: Link includes attaching hardware.
Haldex part number: 481 00 374.

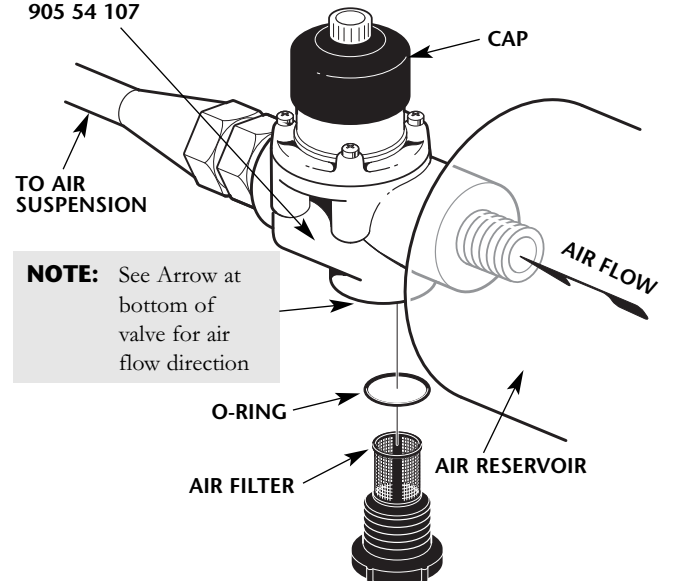
Pressure Protection Valve

PRESSURE PROTECTION VALVE,
905 60 109



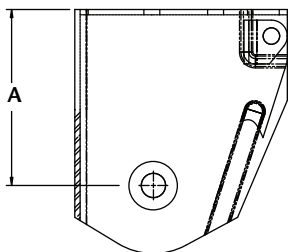
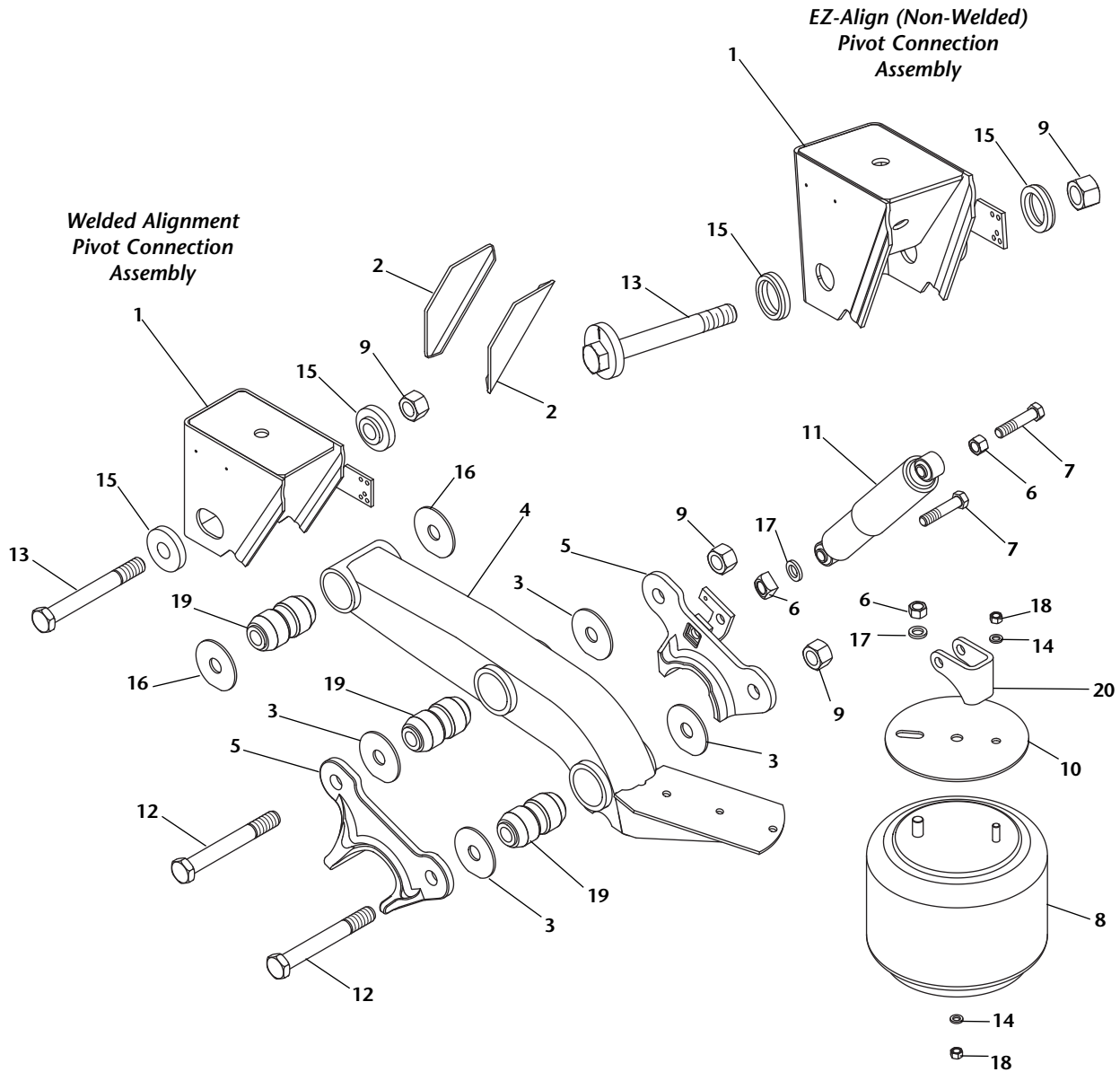
Optional Pressure Protection Valve

OPTIONAL PRESSURE
PROTECTION VALVE,
905 54 107



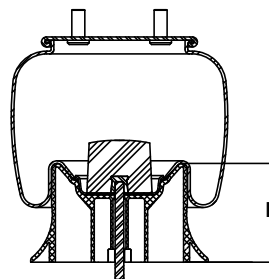
NOTE: See Arrow at bottom of valve for air flow direction

RL228 STANDARD SUSPENSION EXPLODED VIEW



Frame Bracket

"A" DIM	PART NO.
5.06"	905 20 846
7.06"	905 21 147
8.06"	905 21 148
10.44"	905 21 149



Air Spring

"B" DIM	PART NO.
2.83"	905 57 223
4.75"	905 57 156
5.70"	905 57 157

RL228 STANDARD SUSPENSION PARTS LIST

ITEM NO.	DESCRIPTION	NON-LIFTABLE RL-228-12-3	NON-LIFTABLE RL-228-14-3	LIFTABLE RL-228-14-4	LIFTABLE RL-228-15-3	LIFTABLE RL-228-16-3	LIFTABLE RL-228-17-3	QTY.
1	Frame Bracket (roadside - EZ-Align)	-	90521147	90521147	90521148	90521149	90521149	1
	Frame Bracket (roadside - Welded Alignment)	90520846	90521141*	90521141*	90521142*	90521143*	90521143*	1
	Frame Bracket (curbside - EZ-Align)	-	90521147	90521147	90521148	90521149	90521149	1
	Frame Bracket (curbside - Welded Alignment)	90520846	90521141*	90521141*	90521142*	90521143*	90521143*	1
2	Angle Brace	90025257	90025257	90025157	90023002	90023002	90023002	4
3‡	1-1/8" Spacer Washer	90036217	90036217	90036217	90036217	90036217	90036217	8
4	Equalizing Beam (roadside)	90516566	90516566	90516654	90516566	90516566	90516566	1
	Equalizing Beam (curbside)	90516567	90516567	90516655	90516567	90516567	90516567	1
5	Axle Adapter (roadside - outboard)	90001341	90001341	90001341	90001341	90001341	90001341	1
	Axle Adapter (roadside - inboard)	90501462	90501462	90501462	90501462	90501462	90501462	1
	Axle Adapter (curbside - outboard)	90001340	90001340	90001340	90001340	90001340	90001340	1
	Axle Adapter (curbside - inboard)	90501463	90501463	90501463	90501463	90501463	90501463	1
6	3/4"-10 Hex Nut (top of air spring)	93400149	93400149	93400149	93400149	93400149	93400149	2
	3/4"-10 Hex Nut (upper shock lock nut)	93400492	93400492	93400492	93400492	93400492	93400492	2
	3/4"-10 Square Nut (for lower shock bolt)	93400367	93400367	93400367	93400367	93400367	93400367	2
7	3/4"-10x3 1/2" Bolt (for upper shock bolt)	93003597	93003597	93003597	93003597	93003597	93003597	2
	3/4"-10x4" Bolt (for lower shock bolt)	93003609	93003609	93003609	93003609	93003609	93003609	2
8	Air Spring	90557223	90557156	90557156	90557156	90557156	90557157	2
9	1-1/8" Lock Nut	93400506	93400506	93400506	93400506	93400506	93400506	6
10	Air Spring Mtg Plate (ASMP)	90033785	90033785	90033785	90033785	90033785	90033785	2
	Upper ASMP & shk Brkt (roadside) SS	-	-	-	90531245	90531245	90531245	1
	Upper ASMP & shk Brkt (curbside) SS	-	-	-	90531246	90531246	90531246	1
11	Shock Absorber	90044162	90044642	90044642	90044642	90044642	90044089	2
12	1-1/8" Bolt	93201051	93201051	93201051	93201051	93201051	93201051	4
13	1-1/8" Pivot Bolt (Welded Alignment)	93201055	93201069	93201069	93201069	93201069	93201069	
	1-1/8" Pivot Bolt (EZ-Align)	-	90508019	90508019	90508019	90508019	90508019	
14	1/2" Washer	93600072	93600072	93600072	93600072	93600072	93600072	4
15	Alignment Block (Welded Alignment)	90008147	90008198	90008198	90008198	90008198	90008198	
	Alignment Block (EZ-Align)	-	90008238	90008238	90008238	90008238	90008238	
16	Washer, 1.14" dia.	90036177	90036177	90036177	90036177	90036177	90036177	4
17	3/4" Washer	93600077	93600077	93600077	93600077	93600077	93600077	4
18	1/2"-13 Nut	93400136	93400136	93400136	93400136	93400136	93400136	4
19**	Pivot and Axle Bushing	90008149	90008149	90008149	90008149	90008149	90008149	6
20	Upper Shock Bracket	90018515	90018515	90018515	90018515	90018515	90018515	2

* Replacement frame bracket assembly can be found in SRK kits: 544, 545, and 546. When ordering frame brackets, it is recommended to order only EZ-Align replacement parts.

** Replacement components should be purchased in bushing connection SRK kits listed below.

† Contact Holland Customer Service at 888-396-6501.

‡ Suspensions produced prior to 2002 may require 90036177 spacer washers at the axle connection if the axle adapters have an inside spacing of 5.78".

Pivot Connection Kits

DESCRIPTION	SRK NO.	PART NO.	APPLICATION
2 Welded Adjustable	SRK-203	481 00 264	1 Kit Req. per Axle
1 Welded Adjustable, 1 EZ-Align	SRK-227	481 00 289	1 Kit Req. per Axle
1 EZ-Align	SRK-233	481 00 295	2 Kits Req. per Axle
1 EZ-Align, 1 Welded Alignment	SRK-266	481 00 329	1 Kit Req. per Axle
1 EZ-Align, 1 Welded Alignment	SRK-520	481 00 384	1 Kit Req. per Axle
2 EZ-Align	SRK-521	481 00 385	1 Kit Req. per Axle
1 EZ-Align, 1 Welded Alignment	SRK-525	481 00 389	1 Kit Req. per Axle

- If 900 08 147 alignment block is used, you must use 932 01 055 pivot bolt.
- If 900 08 198 alignment block is used, you must use 932 01 069 pivot bolt.
- Measure alignment block diameter: 3.125" = 900 08 147;
measure alignment block diameter: 2.80" = 900 08 198.

Axle Connection Kits

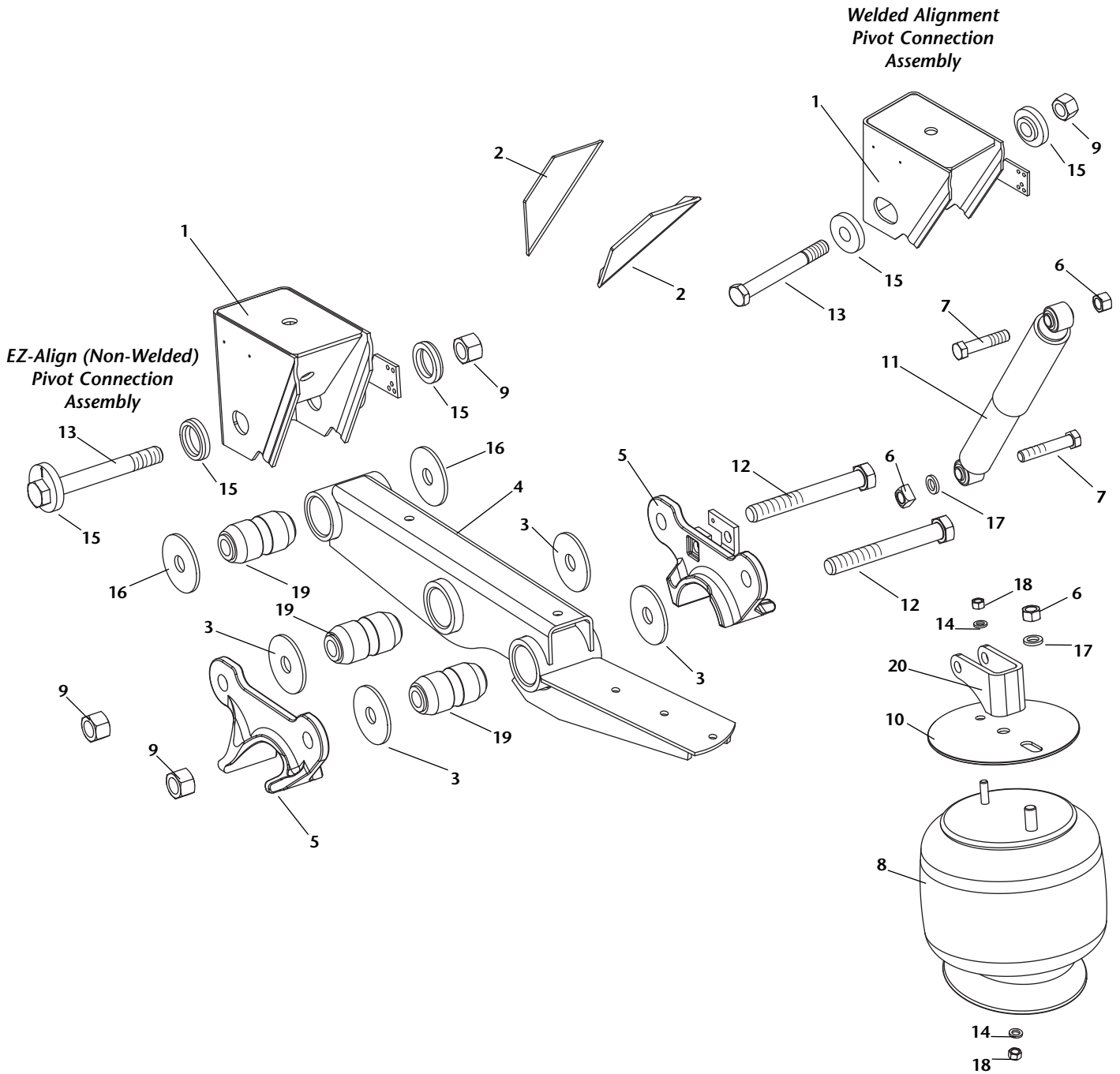
SRK NO.	PART NO.	APPLICATION
SRK-149*	481 00 206	1 Kit Req. per Axle
SRK-229~	481 00 291	2 Kits Req. per Axle
SRK-230§	481 00 292	2 Kits Req. per Axle

* 900 36 175 and 900 36 177 washers.

~ Replacement kit for 905 01 224 axle adapter assy with 1" shock bolts.

§ Replacement kit for 905 01 225 axle adapter assy with 1" shock bolts.

RL230 STANDARD SUSPENSION EXPLODED VIEW



RL230 STANDARD SUSPENSION PARTS LIST

ITEM NO.	DESCRIPTION	RL-230-12-3	RL-230-14-3	RL-230-15-3	RL-230-16-3	RL-230-17-3	QTY.
1*	Frame Bracket (roadside - EZ-Align)	90520859	90521147	90521148	90521149	90521149	1
	Frame Bracket (Welded Alignment)	90520846	90521141	90521142	90521143	90521143	1
2	Angle Brace	90025157	90025157	90025157	90023002	90023002	4
3	1-1/8" Spacer Washer	90036217	90036217	90036217	90036217	90036217	8
4	Equalizing Beam (roadside)	90516999	90516999	90516999	90516999	90516999	1
	Equalizing Beam (curbside)	90517000	90517000	90517000	90517000	90517000	1
5	Axle Adapter (roadside-outboard)	90001341	90001341	90001341	90001341	90001341	1
	Axle Adapter (roadside-inboard)	90501462	90501462	90501462	90501462	90501462	1
5	Axle Adapter (curbside-outboard)	90001340	90001340	90001340	90001340	90001340	1
	Axle Adapter (curbside-inboard)	90501463	90501463	90501463	90501463	90501463	1
6	3/4"-10 Hex Nut (top of air spring)	93400149	93400149	93400149	93400149	93400149	2
	3/4"-10 Hex Nut (upper shock lock nut)	93400492	93400492	93400492	93400492	93400492	2
	3/4"-10 Square Nut (for lower shock bolt)	93400367	93400367	93400367	93400367	93400367	2
7	3/4"-10x3 1/2" Bolt	93003597	93003597	93003597	93003597	93003597	2
	3/4"-10x4" Bolt (lower shock bolt)	93003609	93003609	93003609	93003609	93003609	2
8	Air Spring	90557223	90557117	90557118	90557118	90557119	2
9	1-1/8" Lock Nut	93400506	93400506	93400506	93400506	93400506	6
10	Air Spring Mtg Plate (ASMP)	90033785	90033785	90033785	90033785	90033785	2
	Upper ASMP & shk Brkt (roadside)	-	90531320	90531320	90531320	-	1
	Upper ASMP & shk Brkt (curbside)	-	90531321	90531321	90531321	-	1
11	Shock Absorber	90045381	90044642	90044642	90044089	90044089	2
12	1-1/8" Bolt	93201051	93201051	93201051	93201051	93201051	4
13	1-1/8" Pivot Bolt (Welded Alignment)	93201055	93201069	93201069	93201069	93201069	1
	1-1/8" Pivot Bolt (EZ-Align)	90508019	90508019	90508019	90508019	90508019	1*
14	1/2" Lock Washer	93600072	93600072	93600072	93600072	93600072	4
15	Alignment Block (Welded Alignment)	90008147	90008198	90008198	90008198	90008198	2
	Alignment Block (EZ-Align)	90008238	90008238	90008238	90008238	90008238	1*
16	Pivot Washer, 1.14" dia.	90036177	90036177	90036177	90036177	90036177	4
17	3/4" Lock Washer	93600077	93600077	93600077	93600077	93600077	4
18	1/2"-13 Nut	93400136	93400136	93400136	93400136	93400136	4
19**	Pivot and Axle Bushing	90008149	90008149	90008149	90008149	90008149	6
20	Upper Shock Bracket	90018445	90018445	90018445	90018445	90018445	2

* If both frame brackets require EZ-Align, order 2.

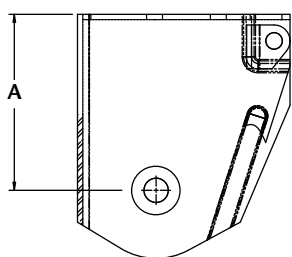
** Replacement components should be purchased in bushing connection SRK kits listed below.

Pivot Connection Kits

DESCRIPTION	SRK NO.	PART NO.	APPLICATION
1 EZ-Align	SRK-525	481 00 389	1 Kit Req. per Axle
1 Welded Alignment			
2 EZ-Align	SRK-521	481 00 385	1 Kit Req. per Axle

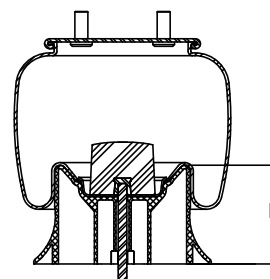
Axle Connection Kit

SRK NO.	PART NO.	APPLICATION
SRK-265	481 00 328	1 Kit Req. per Axle



Frame Bracket

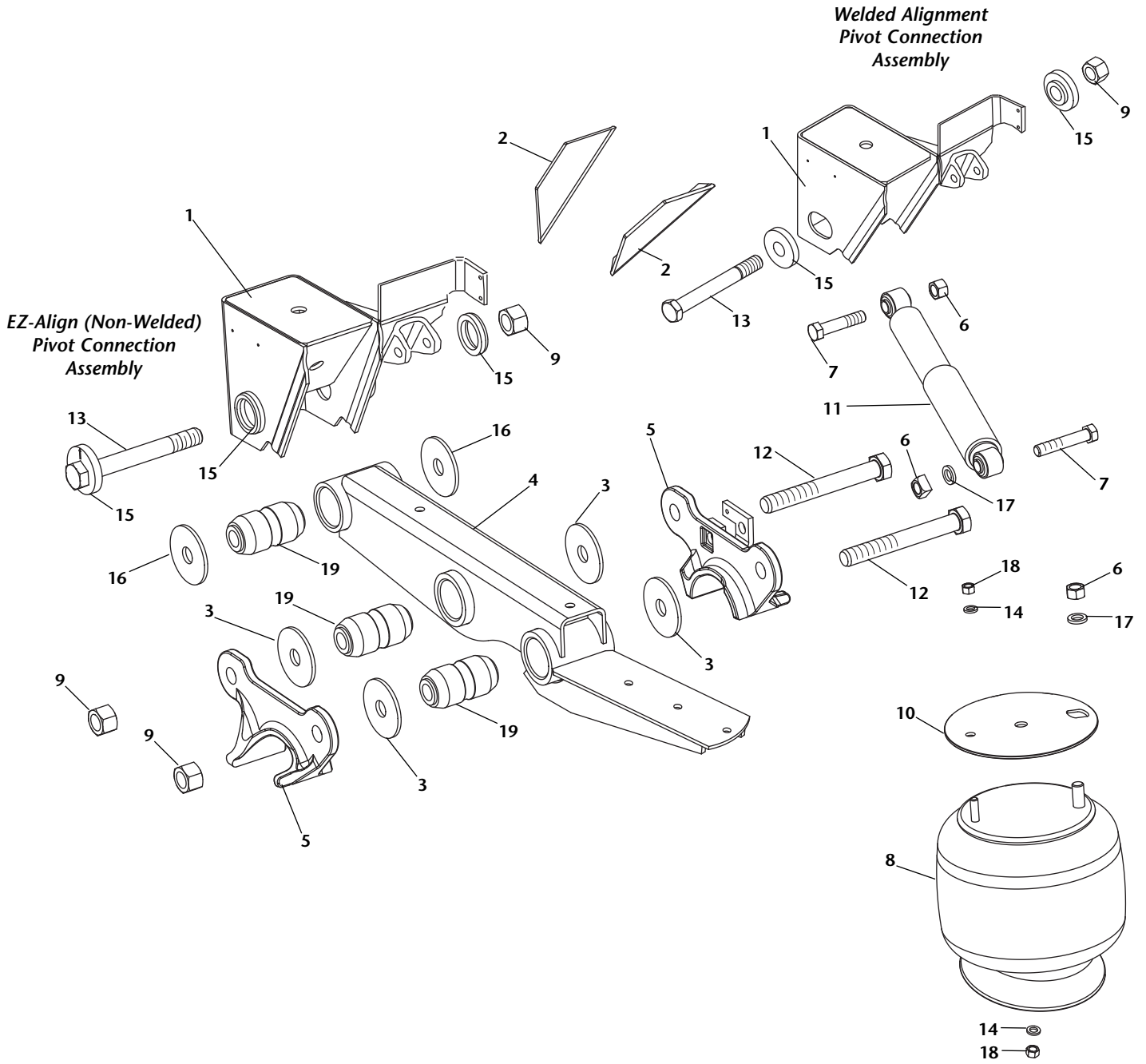
"A" DIM	PART NO.
5.06"	905 20 859
7.06"	905 21 147
8.06"	905 21 148
10.44"	905 21 149



Air Spring

"B" DIM	PART NO.
2.83"	905 57 223
4.75"	905 57 117
5.70"	905 57 118
7.40"	905 57 119

RL230 HANGER MOUNTED SHOCK SUSPENSION EXPLODED VIEW



RL230 HANGER MOUNTED SHOCK SUSPENSION PARTS LIST

ITEM NO.	DESCRIPTION	RL-230-14-3	RL-230-15-4	RL-230-16-4	RL-230-17-4	QTY.
1*	Frame Bracket (roadside - EZ-Align) HMS	90521325	90521327	90521377	90521377	1
	Frame Bracket (curbside - EZ-Align) HMS	90521326	90521328	90521378	90521378	1
	Frame Bracket (curbside - Welded Alignment) HMS	90521331	90521331	90521379	90521379	1
2	Angle Brace	90025157	90025157	90023002	90023002	4
3	1-1/8" Spacer Washer	90036217	90036217	90036217	90036217	8
4	Equalizing Beam (roadside)	90516999	90516999	90516999	90516999	1
	Equalizing Beam (curbside)	90517000	90517000	90517000	90517000	1
5	Axle Adapter (roadside-outboard) HMS	90001341	90001341	90001341	90001341	1
	Axle Adapter (roadside-inboard) HMS	90501426	90501426	90501426	90501426	1
5	Axle Adapter (curbside-outboard) HMS	90001340	90001340	90001340	90001340	1
	Axle Adapter (curbside-inboard) HMS	90501425	90501425	90501425	90501425	1
6	3/4"-10 Hex Nut (top of air spring)	93400149	93400149	93400149	93400149	2
	3/4"-10 Hex Nut (upper shock lock nut)	93400492	93400492	93400492	93400492	4
7	3/4"-10x3 1/2" Bolt	93003597	93003597	93003597	93003597	2
	3/4"-10x4" Bolt (for lower shock bolt)	93003609	93003609	93003609	93003609	2
8	Air Spring	90557117	90557117	90557117	90557118	2
9	1-1/8" Lock Nut	93400506	93400506	93400506	93400506	6
10	Air Spring Mtg Plate (ASMP)	90033785	90033785	90033785	90033785	2
11	Shock Absorber	90045381	90045381	90045299	90045040	2
12	1-1/8" Bolt	93201051	93201051	93201051	93201051	4
13	1-1/8" Pivot Bolt (Welded Alignment)	93201069	93201069	93201069	93201069	2
	1-1/8" Pivot Bolt (EZ-Align)	90508019	90508019	90508019	90508019	1*
14	1/2" Washer	93600072	93600072	93600072	93600072	4
15	Alignment Block (Welded Alignment)	90008198	90008198	90008198	90008198	2
	Alignment Block (EZ-Align)	90008238	90008238	90008238	90008238	1*
16	Pivot Washer, 1.14" dia.	90036177	90036177	90036177	90036177	4
17	3/4" Washer	93600077	93600077	93600077	93600077	2
18	1/2"-13 Nut	93400136	93400136	93400136	93400136	4
19**	Pivot and Axle Bushings	90008149	90008149	90008149	90008149	6

* If both frame brackets require EZ-Align, order 2.

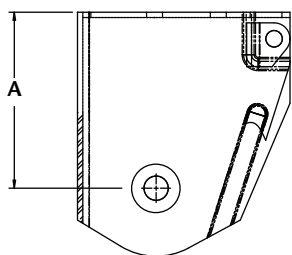
** Replacement components should be purchased in bushing connection SRK kits listed below.

Pivot Connection Kits

DESCRIPTION	SRK NO.	PART NO.	APPLICATION
1 EZ-Align	SRK-525	481 00 389	1 Kit Req. per Axle
1 Welded Alignment			
2 EZ-Align	SRK-521	481 00 385	1 Kit Req. per Axle

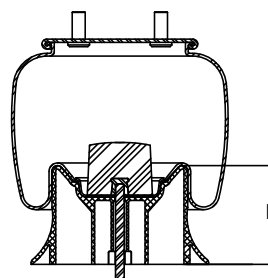
Axle Connection Kit

SRK NO.	PART NO.	APPLICATION
SRK-265	481 00 328	1 Kit Req. per Axle



Frame Bracket

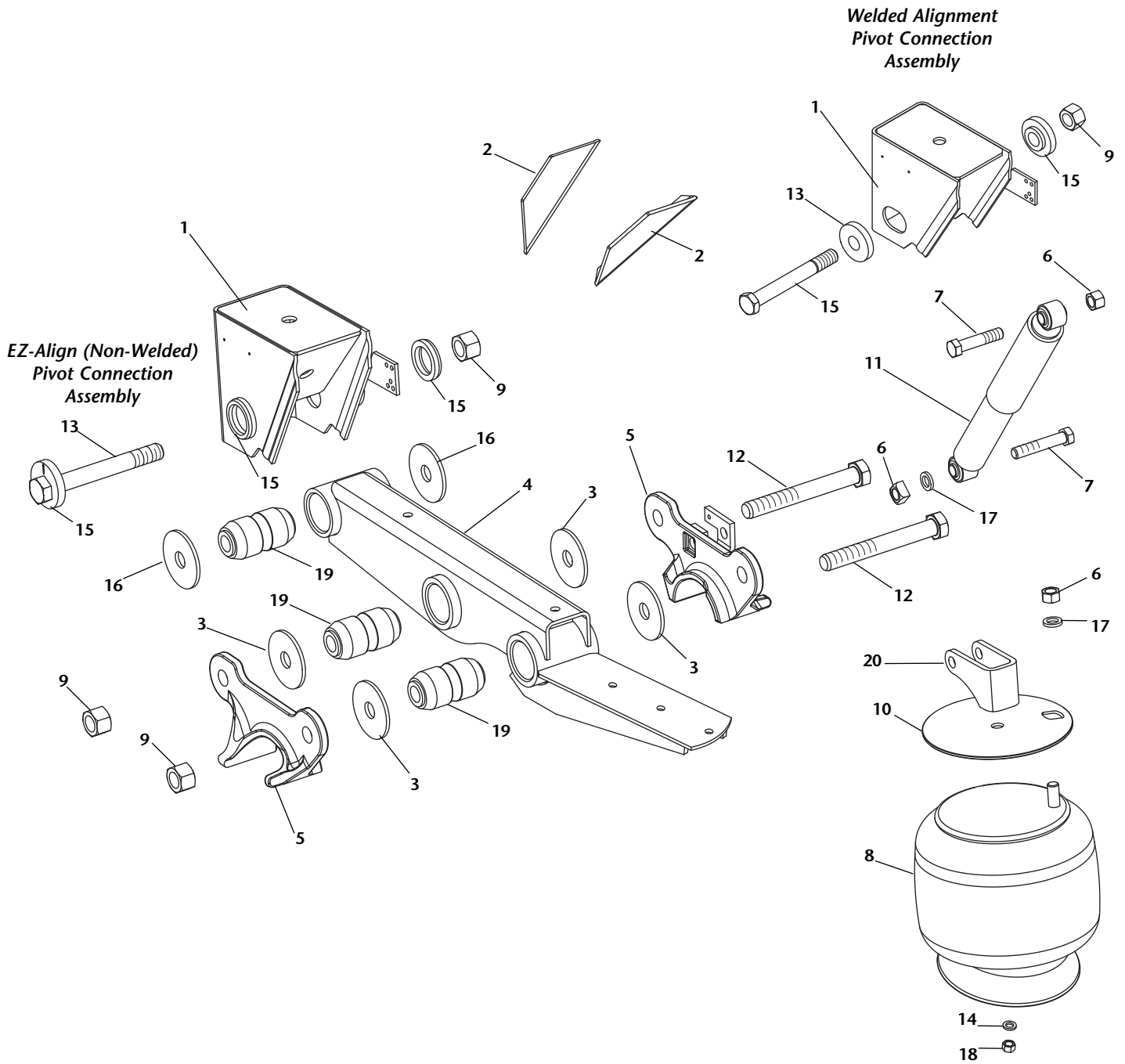
"A" DIM	PART NO.
7.06"	905 21 325
8.06"	905 21 327
10.44"	905 21 377



Air Spring

"B" DIM	PART NO.
4.75"	905 57 117
5.70"	905 57 118

RL230 SINGLE STUD AIR SPRING SUSPENSION EXPLODED VIEW



RL230 SINGLE STUD AIR SPRING SUSPENSION PARTS LIST

ITEM NO.	DESCRIPTION	RL-230-14-3	RL-230-15-4	RL-230-16-4	RL-230-17-4	QTY.
1*	Frame Bracket (roadside - EZ-Align)	90521147	90521148	90521149	90521149	1
	Frame Bracket (curbside - Welded Alignment)	90521141	90521142	90521143	90521143	1
2	Angle Brace	90025157	90025157	90023002	90023002	4
3	1-1/8" Spacer Washer	90036217	90036217	90036217	90036217	8
4	Equalizing Beam (roadside)	90516999	90516999	90516999	90516999	1
	Equalizing Beam (curbside)	90517000	90517000	90517000	90517000	1
5	Axle Adapter (curbside-outboard)	90001340	90001340	90001340	90001340	1
	Axle Adapter (roadside-inboard)	90501462	90501462	90501462	90501462	1
5	Axle Adapter (roadside-outboard)	90001341	90001341	90001341	90001341	1
	Axle Adapter (curbside-inboard)	90501463	90501463	90501463	90501463	1
6	3/4"-10 Hex Nut (top of air spring)	93400149	93400149	93400149	93400149	2
	3/4"-10 Hex Nut (upper shock lock nut)	93400492	93400492	93400492	93400492	2
	3/4"-10 Square Nut (for lower shock bolt)	93400367	93400367	93400367	93400367	2
7	3/4"-10x3 1/2" Bolt	93003597	93003597	93003597	93003597	2
	3/4"-10x4" Bolt (for lower shock bolt)	93003609	93003609	93003609	93003609	2
8	Air Spring (SS)	90557156	90557156	90557156	90557157	2
9	1-1/8" Lock Nut	93400506	93400506	93400506	93400506	6
10	Air Spring Mtg Plate (ASMP)	90033785	90033785	90033785	90033785	2
	Upper ASMP & shk Brkt (roadside) SS	90531322	90531322	90531322	90531322	1
	Upper ASMP & shk Brkt (curbside) SS	90531323	90531323	90531323	90531323	1
11	Shock Absorber	90044642	90044642	90044642	90044089	2
12	1-1/8" Bolt	93201051	93201051	93201051	93201051	4
13	1-1/8" Pivot Bolt (Welded Alignment)	93201069	93201069	93201069	93201069	1
	1-1/8" Pivot Bolt (EZ-Align)	90508019	90508019	90508019	90508019	1*
14	1/2" Washer	93600072	93600072	93600072	93600072	4
15	Alignment Block (Welded Alignment)	90008198	90008198	90008198	90008198	2
	Alignment Block (EZ-Align)	90008238	90008238	90008238	90008238	1*
16	Pivot Washer, 1.14" dia.	90036177	90036177	90036177	90036177	4
17	3/4" Washer	93600077	93600077	93600077	93600077	4
18	1/2"-13 Nut	93400136	93400136	93400136	93400136	4
19**	Pivot and Axle Bushing	90008149	90008149	90008149	90008149	6
20	Upper Shock Bracket	90018445	90018445	90018445	90018445	2

* If both frame brackets require EZ-Align, order 2.

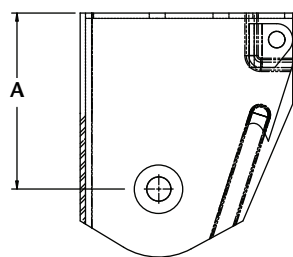
** Replacement components should be purchased in bushing connection SRK kits listed below.

Pivot Connection Kits

DESCRIPTION	SRK NO.	PART NO.	APPLICATION
1 EZ-Align	SRK-525	481 00 389	1 Kit Req. per Axle
1 Welded Alignment			
2 EZ-Align	SRK-521	481 00 385	1 Kit Req. per Axle

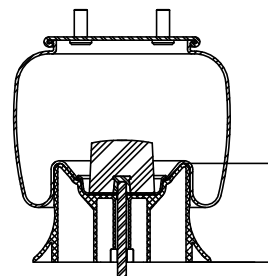
Axle Connection Kit

SRK NO.	PART NO.	APPLICATION
SRK-265	481 00 328	1 Kit Req. per Axle



Frame Bracket

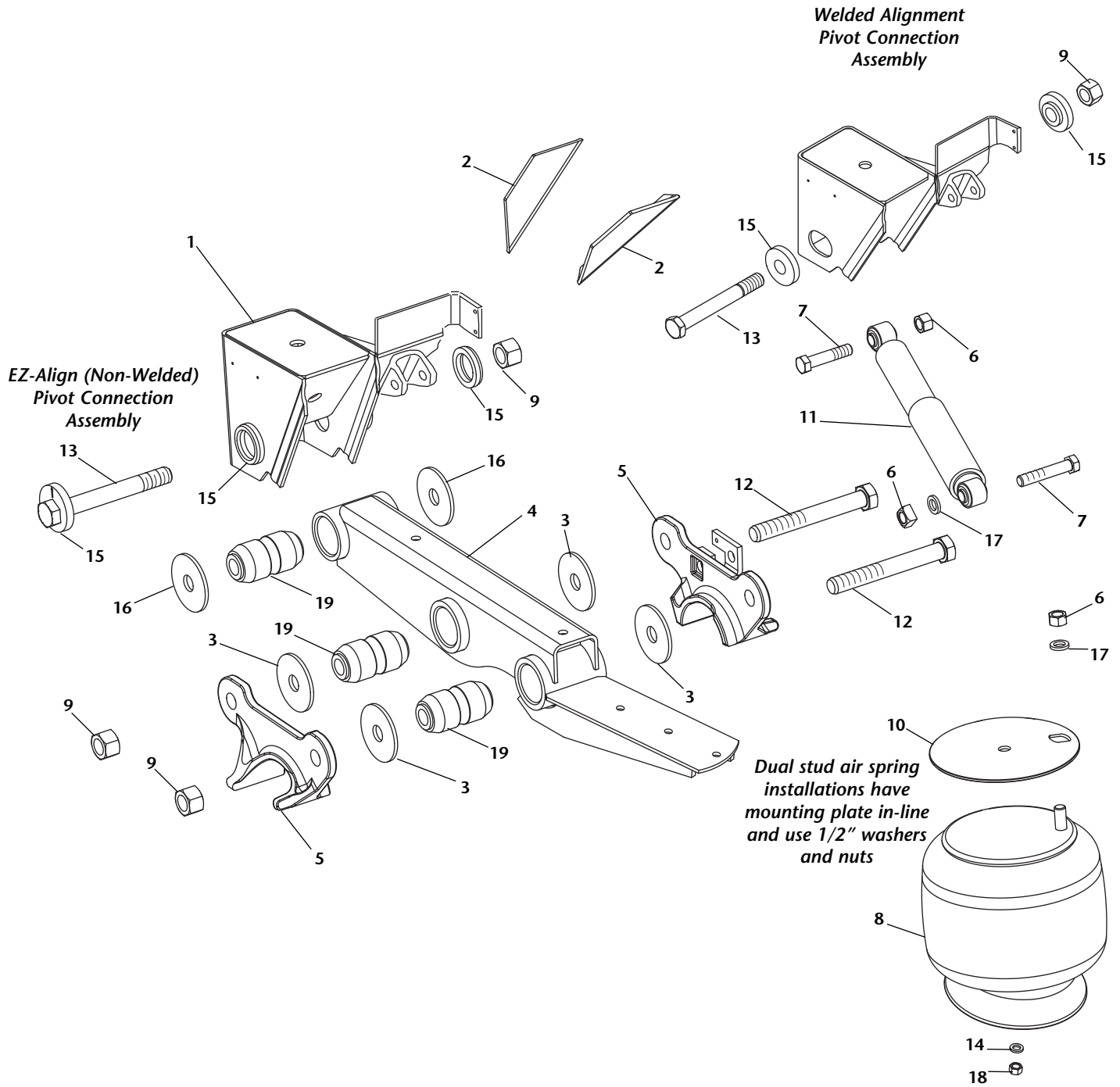
"A" DIM	PART NO.
7.06"	905 21 147
8.06"	905 21 148
10.44"	905 21 149



Air Spring

"B" DIM	PART NO.
4.75"	905 57 156
5.70"	905 57 157

RL230 SINGLE STUD AIR SPRING, HANGER MOUNTED SHOCK SUSPENSION EXPLODED VIEW



RL230 SINGLE STUD AIR SPRING, HANGER MOUNTED SHOCK SUSPENSION PARTS LIST

ITEM NO.	DESCRIPTION	RL-230-14-3	RL-230-15-4	RL-230-16-4	RL-230-17-4	QTY.
1*	Frame Bracket (roadside - EZ-Align) HMS	90521325	90521327	90521377	90521377	1
	Frame Bracket (curbside - EZ-Align) HMS	90521326	90521328	90521378	90521378	1
	Frame Bracket (curbside - Welded Alignment) HMS	90521331	90521331	90521379	90521379	1
2	Angle Brace	90025157	90025157	90023002	90023002	4
3	1-1/8" Spacer Washer	90036217	90036217	90036217	90036217	8
4	Equalizing Beam (roadside)	90516999	90516999	90516999	90516999	1
	Equalizing Beam (curbside)	90517000	90517000	90517000	90517000	1
5	Axle Adapter (roadside-outboard) HMS	90001341	90001341	90001341	90001341	1
	Axle Adapter (roadside-inboard) HMS	90501426	90501426	90501426	90501426	1
5	Axle Adapter (curbside-outboard) HMS	90001340	90001340	90001340	90001340	1
	Axle Adapter (curbside-inboard) HMS	90501425	90501425	90501425	90501425	1
6	3/4"-10 Hex Nut (top of air spring)	93400149	93400149	93400149	93400149	2
	3/4"-10 Hex Nut (upper shock lock nut)	93400492	93400492	93400492	93400492	4
7	3/4"-10x3 1/2" Bolt	93003597	93003597	93003597	93003597	2
	3/4"-10x4" Bolt (for lower shock bolt)	93003609	93003609	93003609	93003609	2
8	Air Spring	90557156	90557156	90557156	90557157	2
9	1-1/8" Lock Nut	93400506	93400506	93400506	93400506	6
10	Air Spring Mtg Plate (ASMP)	90033785	90033785	90033785	90033785	2
11	Shock Absorber	90045381	90045381	90045299	90045040	2
12	1-1/8" Bolt	93201051	93201051	93201051	93201051	4
13	1-1/8" Pivot Bolt (Welded Alignment)	93201069	93201069	93201069	93201069	1
	1-1/8" Pivot Bolt (EZ-Align)	90508019	90508019	90508019	90508019	1*
14	1/2" Washer	93600072	93600072	93600072	93600072	4
15	Alignment Block (Welded Alignment)	90008198	90008198	90008198	90008198	2
	Alignment Block (EZ-Align)	90008238	90008238	90008238	90008238	1*
16	Pivot Washer, 1.14" dia.	90036177	90036177	90036177	90036177	4
17	3/4" Washer	93600077	93600077	93600077	93600077	2
18	1/2"-13 Nut	93400136	93400136	93400136	93400136	4
19**	Pivot and Axle Bushing	90008149	90008149	90008149	90008149	6

* If both frame brackets require EZ-Align, order 2.

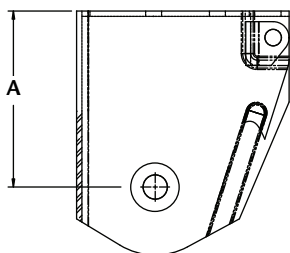
** Replacement components should be purchased in bushing connection SRK kits listed below.

Pivot Connection Kits

DESCRIPTION	SRK NO.	PART NO.	APPLICATION
1 EZ-Align	SRK-525	481 00 389	1 Kit Req. per Axle
1 Welded Alignment			
2 EZ-Align	SRK-521	481 00 385	1 Kit Req. per Axle

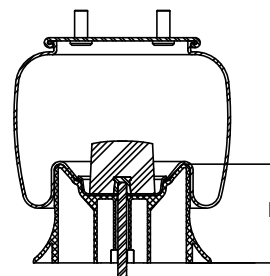
Axle Connection Kit

SRK NO.	PART NO.	APPLICATION
SRK-265	481 00 328	1 Kit Req. per Axle



Frame Bracket

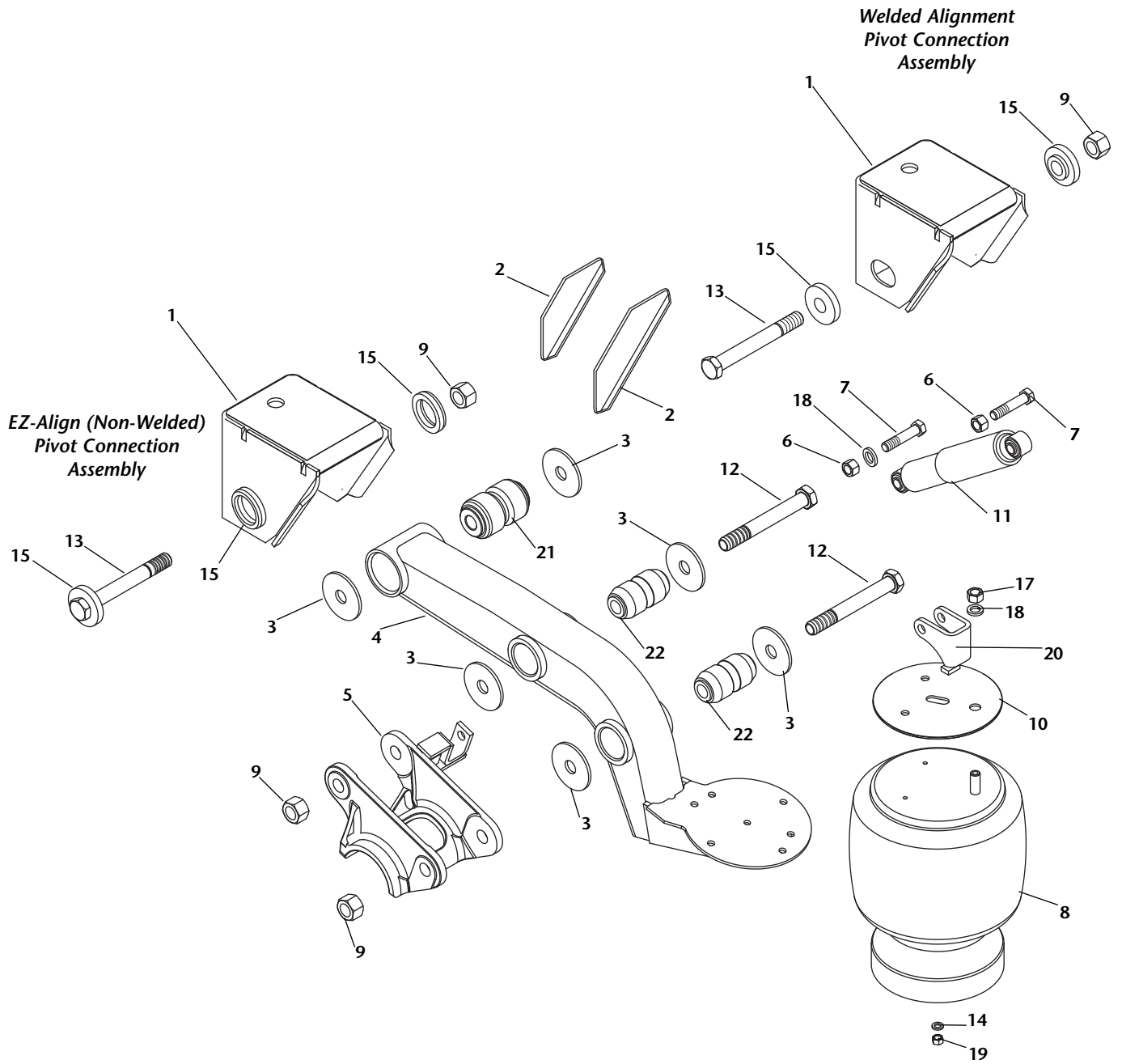
"A" DIM	PART NO.
7.06"	905 21 325
8.06"	905 21 327
10.44"	905 21 377



Air Spring

"B" DIM	PART NO.
4.75"	905 57 156
5.70"	905 57 157

RL250 STANDARD SUSPENSION EXPLODED VIEW



RL250 STANDARD SUSPENSION PARTS LIST

ITEM NO.	DESCRIPTION	RL-250-14.0	RL-250-15.0	RL-250-16.0	RL-250-17.0	QTY.
1	Frame Bracket (roadside - EZ-Align)	90521151	90521151	90521152	90521152	1
	Frame Bracket (curbside - EZ-Align)	90521151	90521151	90521152	90521152	1
	Frame Bracket (roadside - Welded Alignment)	90521145	90521145	90521146	90521146	1
	Frame Bracket (curbside - Welded Alignment)	90521145	90521145	90521146	90521146	1
2	Angle Brace	90023002	90023002	90023001	90023001	4
3	1-1/8" Spacer Washer	90036177	90036177	90036177	90036177	12
4	Equalizing Beam (roadside)	90516587	90516587	90516587	90516587	1
	Equalizing Beam (curbside)	90516588	90516588	90516588	90516588	1
5	Axle Adapter (roadside)	90501289	90501289	90501289	90501289	1
	Axle Adapter (curbside)	90501290	90501290	90501290	90501290	1
6	3/4"-10 Hex Nut (upper shock lock nut)	93400492	93400492	93400492	93400492	2
	3/4"-10 Square Nut (for lower shock bolt)	93400367	93400367	93400367	93400367	2
7	3/4"-10x3 1/2" Bolt	93003597	93003597	93003597	93003597	2
	3/4"-10x4" Bolt (lower shock bolt)	93003609	93003609	93003609	93003609	2
8	Air Spring	90557167	90557167	90557168	90557168	2
9	1 1/8" Lock Nut	93400506	93400506	93400506	93400506	6
10	Air Spring Mtg Plate	90033785	90033785	90033785	90033785	2
	Upper ASMP & shk Brkt (roadside)	90531262	90531262	90531262	90531262	1
	Upper ASMP & shk Brkt (curbside)	90531263	90531263	90531263	90531263	1
11	Shock Absorber	90044642	90044642	90044089	90044089	2
12	1-1/8" Bolt	93201051	93201051	93201051	93201051	4
13	1-1/8" Pivot Bolt (Welded Alignment)	93201069	93201069	93201069	93201069	2
	1-1/8" Pivot Bolt (EZ-Align)	90508019	90508019	90508019	90508019	2
14	1/2" Washer	93600072	93600072	93600072	93600072	4
15	Alignment Block (Welded Alignment)	90008198	90008198	90008198	90008198	2
	Alignment Block (EZ-Align)	90008238	90008238	90008238	90008238	2
17	3/4"-10 Hex Nut (top of air spring)	93400149	93400149	93400149	93400149	2
18	3/4" Washer	93600077	93600077	93600077	93600077	4
19	1/2"-13 Nut	93400136	93400136	93400136	93400136	4
20	Upper Shock Bracket	90018515	90018515	90018515	90018515	2
21*	Pivot Bushing	90008139	90008139	90008139	90008139	2
22*	Axle Bushing	90008149	90008149	90008149	90008149	4

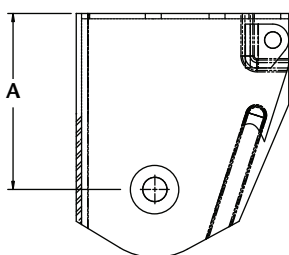
* Replacement components should be purchased in bushing connection SRK kits listed below.

Pivot Connection Kits

DESCRIPTION	SRK NO.	PART NO.	APPLICATION
1 EZ-Align	SRK-519	481 00 383	1 Kit Req. per Axle
2 EZ-Align	SRK-522	481 00 386	1 Kit Req. per Axle

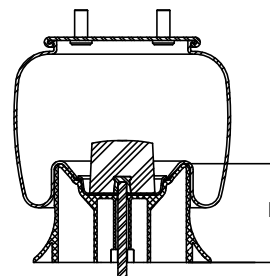
Axle Connection Kit

SRK NO.	PART NO.	APPLICATION
SRK-149	481 00 206	1 Kit Req. per Axle



Frame Bracket

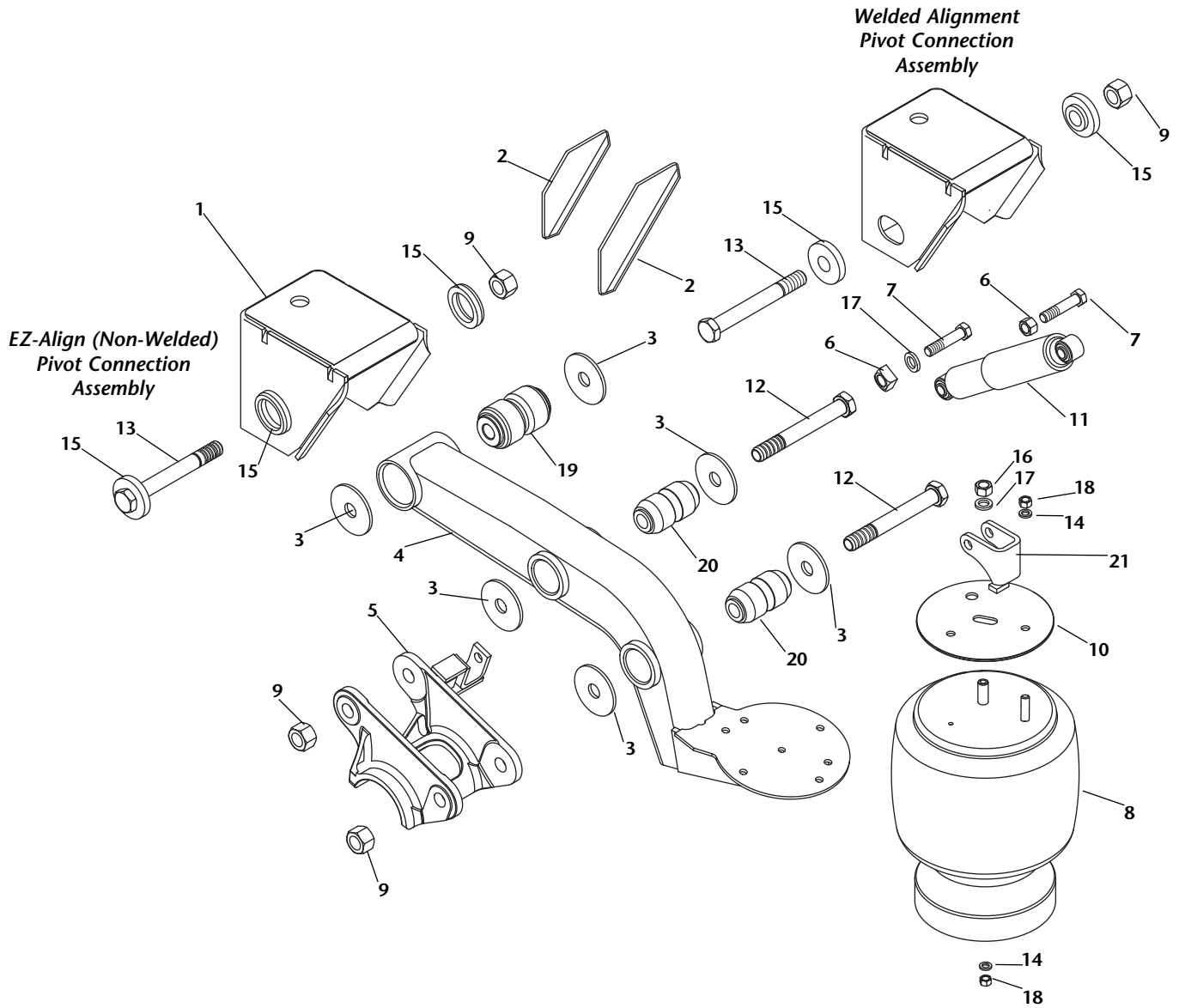
"A" DIM	PART NO.
8.06"	905 21 151
10.44"	905 21 152



Air Spring

"B" DIM	PART NO.
5.70"	905 57 167
7.58"	905 57 168

RL250 SHOCK BELOW FRAME SUSPENSION EXPLODED VIEW



RL250 SHOCK BELOW FRAME SUSPENSION PARTS LIST

ITEM NO.	DESCRIPTION	RL-250-14-3	RL-250-15-4	RL-250-16-4	RL-250-17-4	QTY.
1	Frame Bracket (roadside) EZ SBF	90521150	90521151	90521152	90521152	1
	Frame Bracket (curbside) EZ SBF	90521150	90521151	90521152	90521152	1
	Frame Bracket (curbside) WA SBF	90521144	90521145	90521146	90521146	1
2	Angle Brace	90023002	90023002	90023001	90023001	4
3	1-1/8" Spacer Washer	90036177	90036177	90036177	90036177	12
4	Equalizing Beam (roadside)	90516587	90516587	90516587	90516587	1
	Equalizing Beam (curbside)	90516588	90516588	90516588	90516588	1
5	Axle Adapter (roadside)	90501289	90501289	90501289	90501289	1
	Axle Adapter (curbside)	90501290	90501290	90501290	90501290	1
6	3/4"-10 Hex Nut	93400492	93400492	93400492	93400492	2
	3/4"-10 Square Nut (for lower shock bolt)	93400367	93400367	93400367	93400367	2
7	3/4"-10x3 1/2" Bolt	93003597	93003597	93003597	93003597	2
	3/4"-10x4" Bolt (lower shock bolt)	93003609	93003609	93003609	93003609	2
8	Air Spring SBF	90557167	90557167	90557167	90557167	2
9	1-1/8" Lock Nut	93400506	93400506	93400506	93400506	6
10	Air Spring Mtg Plate	90033785	90033785	90033785	90033785	2
	Upper ASMP & shk Brkt RS SBF	90544830	90544830	90531331	90531331	1
	Upper ASMP & shk Brkt CS SBF	90544831	90544831	90531330	90531330	1
11	Shock Absorber SBF	90045040	90045040	90045299	90045299	2
12	1-1/8" Bolt	93201051	93201051	93201051	93201051	4
13	1-1/8" Pivot Bolt (Welded Alignment)	93201069	93201069	93201069	93201069	2
	1-1/8" Pivot Bolt (EZ-Align)	90508019	90508019	90508019	90508019	2
14	1/2" Washer	93600072	93600072	93600072	93600072	4
15	Alignment Block (Welded Alignment)	90008198	90008198	90008198	90008198	2
	Alignment Block (EZ-Align)	90008238	90008238	90008238	90008238	2
16	3/4"-10 Hex Nut (top of air spring)	93400149	93400149	93400149	93400149	2
17	3/4" Washer	93600077	93600077	93600077	93600077	4
18	1/2"-13 Nut	93400136	93400136	93400136	93400136	2
19*	Pivot Bushing	90008139	90008139	90008139	90008139	1
20*	Axle Bushing	90008149	90008149	90008149	90008149	2
21	Upper Shock Bracket	90018445	90018445	90018445	90018445	2
22	Tube 3"x3"x0.25"x12" (not shown)	90038312	90038312	90038312	90038312	1

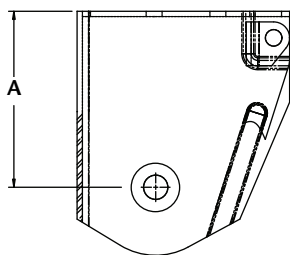
* Replacement components should be purchased in bushing connection SRK kits listed below.

Pivot Connection Kits

DESCRIPTION	SRK NO.	PART NO.	APPLICATION
1 EZ-Align	SRK-519	481 00 383	1 Kit Req. per Axle
2 EZ-Align	SRK-522	481 00 386	1 Kit Req. per Axle

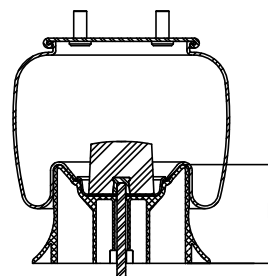
Axle Connection Kit

SRK NO.	PART NO.	APPLICATION
SRK-149	481 00 206	1 Kit Req. per Axle



Frame Bracket

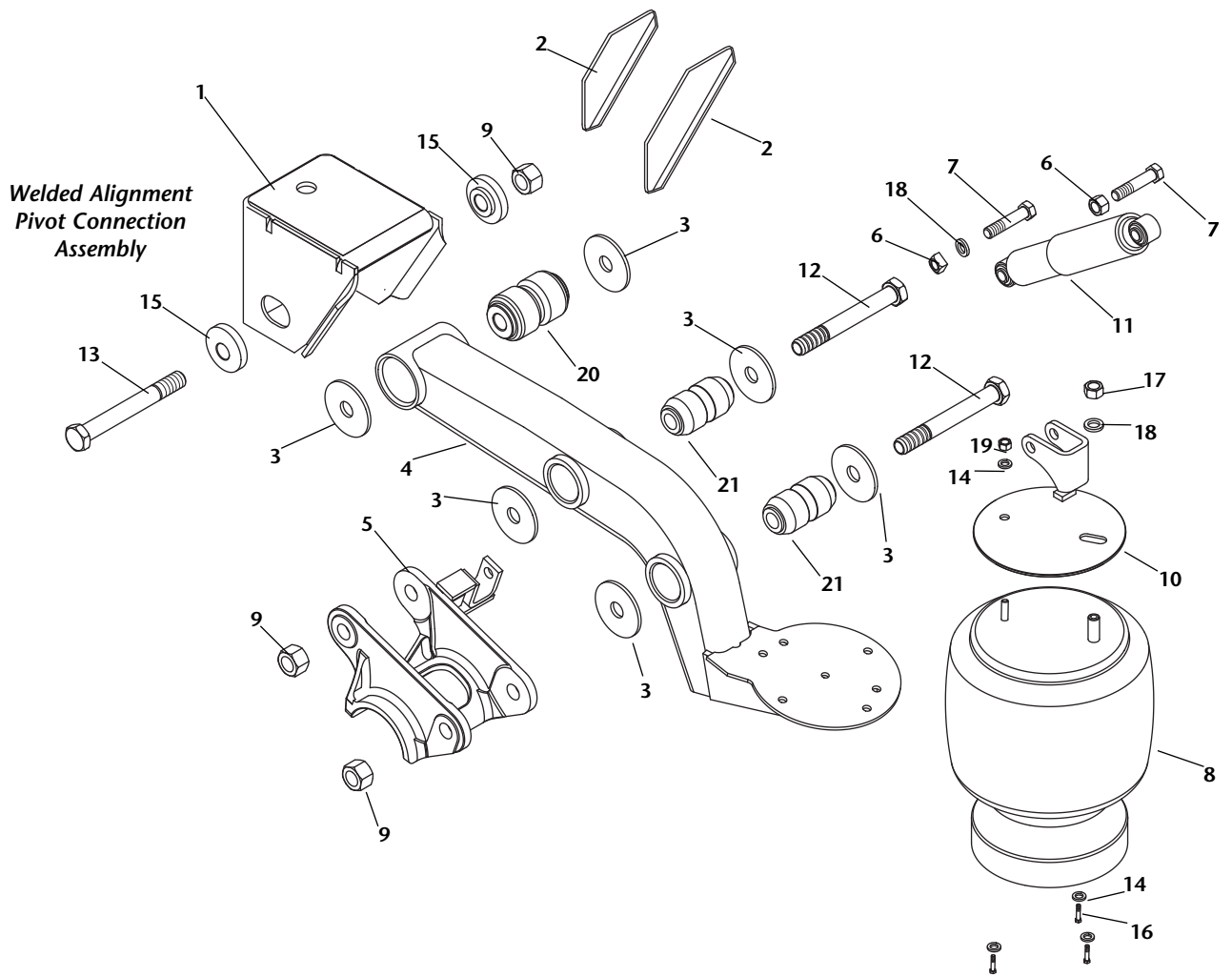
"A" DIM	PART NO.
7.06"	905 21 150
8.06"	905 21 151
10.44"	905 21 152



Air Spring

"B" DIM	PART NO.
5.70"	905 57 167

RL300 STANDARD SUSPENSION EXPLODED VIEW



RL300 STANDARD SUSPENSION PARTS LIST

ITEM NO.	DESCRIPTION	RL-300-12	RL-300-13	RL-300-14	RL-300-15	RL-300-16	RL-300-17	QTY.
1	Frame Bracket (roadside - Welded Alignment)	90520383	90520383	90521144	90521145	90521146	90521146	1
	Frame Bracket (curbside - Welded Alignment)	90520383	90520383	90521144	90521145	90521146	90521146	1
2	Angle Brace	90025157	90025157	90023002	90023002	90023001	90023001	4
3	1-1/8" Spacer Washer	90036177	90036177	90036177	90036177	90036177	90036177	12
4	Equalizing Beam (roadside)	90516949	90516949	90516949	90516949	90516949	90516949	1
	Equalizing Beam (curbside)	90516950	90516950	90516950	90516950	90516950	90516950	1
5	Axle Adapter (roadside)	90501289	90501289	90501289	90501289	90501289	90501289	1
	Axle Adapter (curbside)	90501290	90501290	90501290	90501290	90501290	90501290	1
6	3/4"-10 Hex Nut (upper shock lock nut)	93400492	93400492	93400492	93400492	93400492	93400492	2
	3/4"-10 Square Nut (for lower shock bolt)	93400367	93400367	93400367	93400367	93400367	93400367	2
7	3/4"-10x3 1/2" Bolt	93003597	93003597	93003597	93003597	93003597	93003597	2
	3/4"-10x4" Bolt (lower shock bolt)	93003609	93003609	93003609	93003609	93003609	93003609	2
8	Air Spring	90557259	90557259	90557185	90557185	90557260	90557260	2
9	1-1/8" Lock Nut	93400506	93400506	93400506	93400506	93400506	93400506	6
10	Upper Air Spring Mtg Plate & shk Brkt RS	90531316	90531316	90531306	90531306	90531326	90531326	1
	Upper Air Spring Mtg Plate & shk Brkt CS	90531317	90531317	90531307	90531307	90531327	90531327	1
11	Shock Absorber	90045054	90045054	90045338	90045338	90045338	90045338	2
12	1-1/8" Bolt	93201051	93201051	93201051	93201051	93201051	93201051	4
13	1-1/8" Pivot Bolt (Welded Alignment)	93201069	93201069	93201069	93201069	93201069	93201069	2
14	1/2" Washer	93600072	93600072	93600072	93600072	93600072	93600072	8
15	Alignment Block (Welded Alignment)	90008147	90008147	90008198	90008198	90008198	90008198	4
16	1/2"-13x1" Bolt	93002893	93002893	93002893	93002893	93002893	93002893	6
17	3/4"-10 Hex Nut (top of air spring)	93400149	93400149	93400149	93400149	93400149	93400149	2
18	3/4" Washer	93600077	93600077	93600077	93600077	93600077	93600077	4
19	1/2"-13 Nut	93400136	93400136	93400136	93400136	93400136	93400136	2
20*	Pivot Bushing	90008139	90008139	90008139	90008139	90008139	90008139	1
21*	Axle Bushing	90008149	90008149	90008149	90008149	90008149	90008149	2

* Replacement components should be purchased in bushing connection SRK kits listed below.

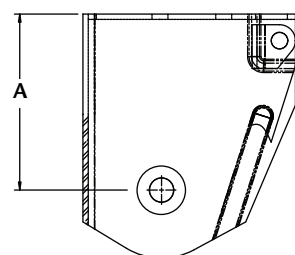
Pivot Connection Kits

DESCRIPTION	SRK NO.	PART NO.	APPLICATION
1 Welded Alignment**	SRK-524	481 00 388	1 Kit Req. per Axle

**without alignment collars.

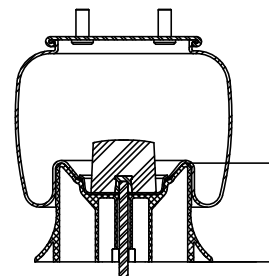
Axle Connection Kit

SRK NO.	PART NO.	APPLICATION
SRK-149	481 00 206	1 Kit Req. per Axle



Frame Bracket

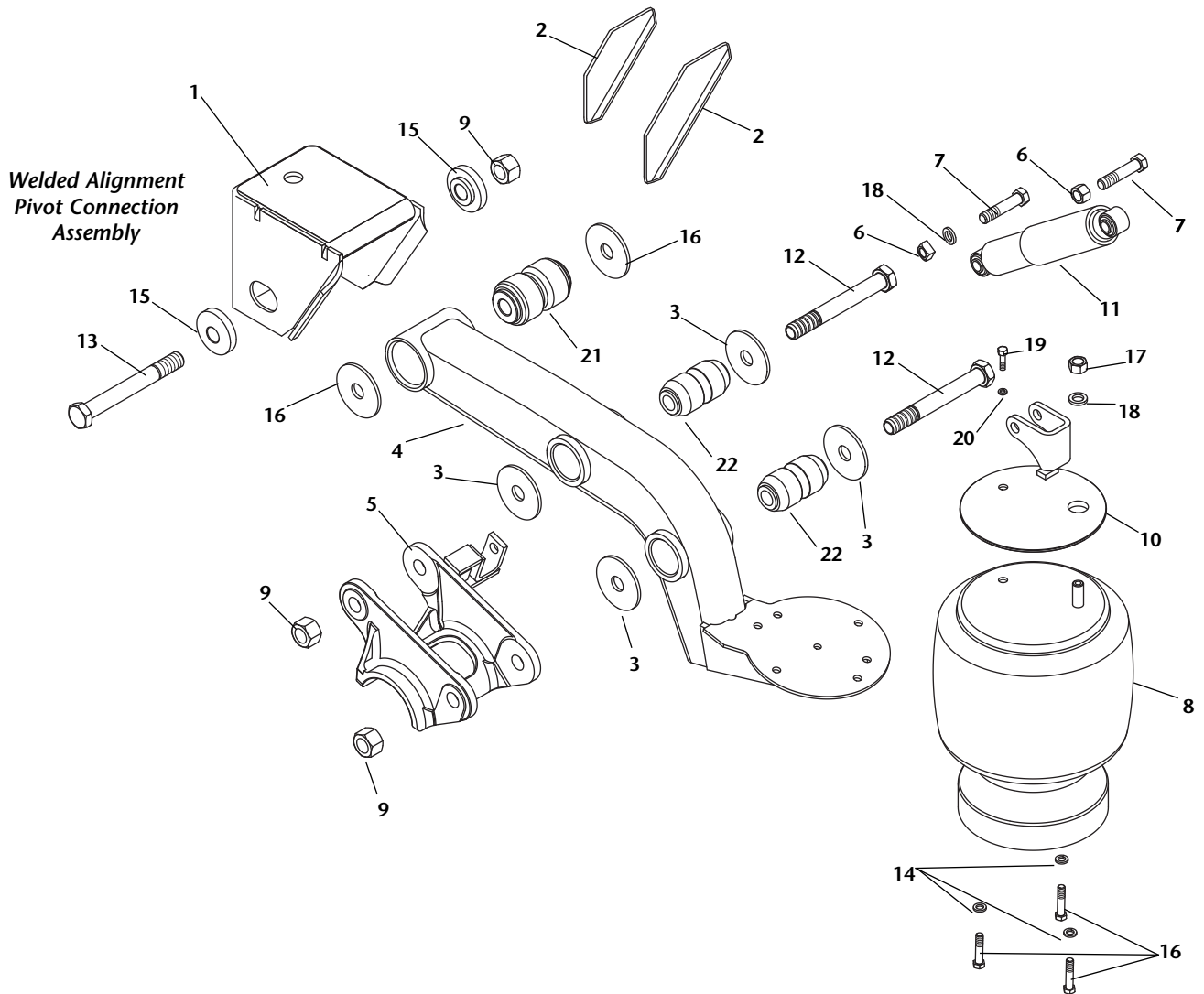
"A" DIM	PART NO.
5.06"	905 20 383
7.25"	905 21 144
8.25"	905 21 145
10.59"	905 21 146



Air Spring

"B" DIM	PART NO.
5.50"	905 57 259
7.00"	905 57 260
7.00"	905 57 185

RL300 OFFSET STUD AIR SPRING SUSPENSION EXPLODED VIEW



RL300 OFFSET STUD AIR SPRING SUSPENSION PARTS LIST

ITEM NO.	DESCRIPTION	RL-300-13	RL-300-14	RL-300-15	RL-300-16	RL-300-17	QTY.
1	Frame Bracket (roadside - Welded Alignment)	90520383	90521144	90521145	90521146	90521146	1
	Frame Bracket (curbside - Welded Alignment)	90520383	90521144	90521145	90521146	90521146	1
2	Angle Brace	90025157	90023002	90023002	90023001	90023001	4
3	1-1/8" Spacer Washer	90036177	90036177	90036177	90036177	90036177	12
4	Equalizing Beam (roadside)	90516949	90516949	90516949	90516949	90516949	1
	Equalizing Beam (curbside)	90516950	90516950	90516950	90516950	90516950	1
5	Axle Adapter (roadside)	90501289	90501289	90501289	90501289	90501289	1
	Axle Adapter (curbside)	90501290	90501290	90501290	90501290	90501290	1
6	3/4"-10 Hex Nut (upper shock lock nut)	93400492	93400492	93400492	93400492	93400492	2
	3/4"-10 Square Nut (for lower shock bolt)	93400367	93400367	93400367	93400367	93400367	2
7	3/4"-10x3 1/2" Bolt	93003597	93003597	93003597	93003597	93003597	2
	3/4"-10x4" Bolt (lower shock bolt)	93003609	93003609	93003609	93003609	93003609	2
8	Firestone OFS Air Spring	90557283	90557283	90557283	90557283	90557283	2
9	1-1/8" Lock Nut	93400506	93400506	93400506	93400506	93400506	6
10	Upper Air Spring Mtg Plate & shk Brkt RS	90531316	90531316	90531316	90531328	90531328	1
	Upper Air Spring Mtg Plate & shk Brkt CS	90531317	90531317	90531317	90531329	90531329	1
11	Shock Absorber	90045054	90045338	90045338	90045338	90045338	2
12	1-1/8" Bolt	93201051	93201051	93201051	93201051	93201051	4
13	1-1/8" Pivot Bolt (Welded Alignment)	93201069	93201069	93201069	93201069	93201069	2
14	1/2" Washer	93600072	93600072	93600072	93600072	93600072	8
15	Alignment Block (Welded Alignment)	90008147	90008198	90008198	90008198	90008198	4
16	1/2"-13x1" Bolt	93002893	93002893	93002893	93002893	93002893	6
17	3/4"-10 Hex Nut (top of air spring)	93400149	93400149	93400149	93400149	93400149	2
18	3/4" Washer	93600077	93600077	93600077	93600077	93600077	4
19	3/8"-16 x 1" Grade 5 Bolt	93002571	93002571	93002571	93002571	93002571	4
20	.41" Lock Washer	93600069	93600069	93600069	93600069	93600069	4
21*	Pivot Bushing	90008139	90008139	90008139	90008139	90008139	1
22*	Axle Bushing	90008149	90008149	90008149	90008149	90008149	2

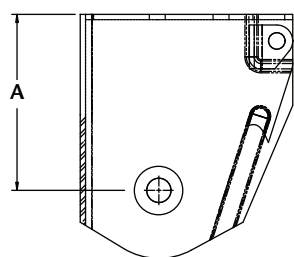
* Replacement components should be purchased in bushing connection SRK kits listed below.

Pivot Connection Kits

DESCRIPTION	SRK NO.	PART NO.	APPLICATION
1 Welded Alignment	SRK-524	481 00 388	1 Kit Req. per Axle

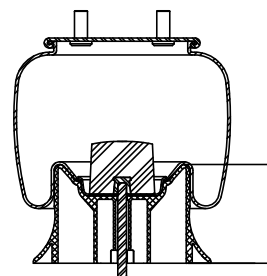
Axle Connection Kit

SRK NO.	PART NO.	APPLICATION
SRK-149	481 00 206	1 Kit Req. per Axle



Frame Bracket

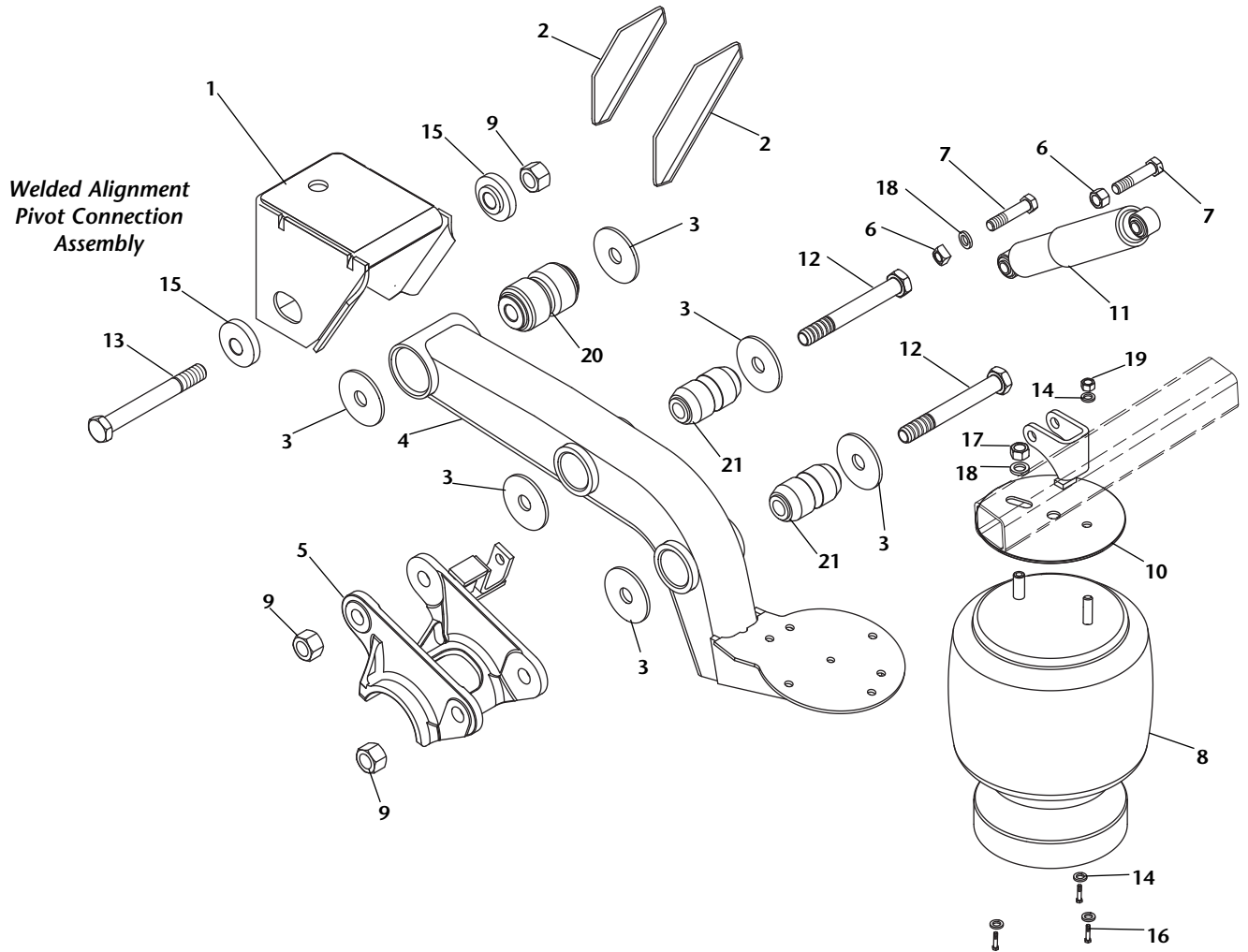
"A" DIM	PART NO.
5.06"	905 20 383
7.25"	905 21 144
8.25"	905 21 145
10.59"	905 21 146



Air Spring

"B" DIM	PART NO.
7.00"	905 57 283

RL300 SHOCK BELOW FRAME SUSPENSION EXPLODED VIEW



RL300 SHOCK BELOW FRAME SUSPENSION PARTS LIST

ITEM NO.	DESCRIPTION	RL-300-14-SBF	RL-300-15-SBF	RL-300-16-SBF	RL-300-17-SBF	QTY
1	Frame Bracket (roadside - Welded Alignment)	90521144	90521145	90521146	90521146	1
	Frame Bracket (curbside - Welded Alignment)	90521144	90521145	90521146	90521146	1
2	Angle Brace	90023002	90023002	90023001	90023001	4
3	1-1/8" Spacer Washer	90036177	90036177	90036177	90036177	12
4	Equalizing Beam (roadside)	90516949	90516949	90516949	90516949	1
	Equalizing Beam (curbside)	90516950	90516950	90516950	90516950	1
5	Axle Adapter (roadside)	90501289	90501289	90501289	90501289	1
	Axle Adapter (curbside)	90501290	90501290	90501290	90501290	1
6	3/4"-10 Hex Nut (upper shock lock nut)	93400492	93400492	93400492	93400492	2
	3/4"-10 Square Nut (for lower shock bolt)	93400367	93400367	93400367	93400367	2
7	3/4"-10x3 1/2" Bolt	93003597	93003597	93003597	93003597	2
	3/4"-10x4" Bolt (lower shock bolt)	93003609	93003609	93003609	93003609	2
8	Firestone Air Spring	90557111	90557111	90557111	90557111	2
9	1-1/8" Lock Nut	93400506	93400506	93400506	93400506	6
10	Upper Air Spring Mtg Plate & shk Brkt (roadside)	90544830	90544830	90544830	90544830	1
	Upper Air Spring Mtg Plate & shk Brkt (curbside)	90544831	90544831	90544831	90544831	1
11	Shock Absorber	90045337	90045337	90045339	90045339	2
12	1-1/8" Bolt	93201051	93201051	93201051	93201051	4
13	1-1/8" Pivot Bolt (Welded Alignment)	93201069	93201069	93201069	93201069	2
14	1/2" Washer	93600072	93600072	93600072	93600072	8
15	Alignment Block (Welded Alignment)	90008198	90008198	90008198	90008198	4
16	1/2"-13x1" Bolt	93002893	93002893	93002893	93002893	6
17	3/4"-10 Hex Nut (top of air spring)	93400149	93400149	93400149	93400149	2
18	3/4" Washer	93600077	93600077	93600077	93600077	4
19	1/2"-13 Nut	93400136	93400136	93400136	93400136	2
20*	Pivot Bushing	90008139	90008139	90008139	90008139	1
21*	Axle Bushing	90008149	90008149	90008149	90008149	2

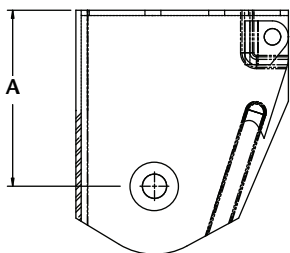
* Replacement components should be purchased in bushing connection SRK kits listed below.

Pivot Connection Kits

DESCRIPTION	SRK NO.	PART NO.	APPLICATION
2 Welded Alignment	SRK-524	481 00 388	1 Kit Req. per Axle

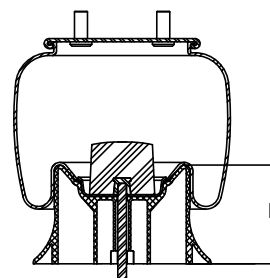
Axle Connection Kit

SRK NO.	PART NO.	APPLICATION
SRK-265	481 00 328	1 Kit Req. per Axle



Frame Bracket

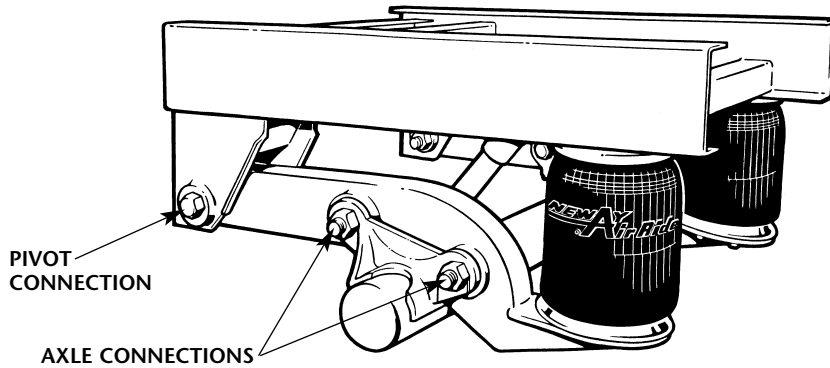
"A" DIM	PART NO.
7.25"	905 21 144
8.25"	905 21 145
10.59"	905 21 146



Air Spring

"B" DIM	PART NO.
5.50"	905 57 111

RL SUSPENSION SERVICE REPAIR KITS (SRKs)



When servicing your RL Series suspension, use the convenient service repair kits noted below; for kit contents, see following pages.

Descriptions are found below and below the parts list for each suspension.

PIVOT AND AXLE CONNECTION SERVICE REPAIR KIT CHART

Model 228 or 230 Pivot Connection - EZ and Welded Alignments

Bolt Type 1055 / 1069	Description	SRK	Holland Part No.
1055	2 Welded Alignment	SRK-203	481 00 264
1055	1 EZ-Alignment / 1 Welded Alignment	SRK-520	481 00 384
	2 EZ-Alignment	SRK-521	481 00 385
1069	1 EZ-Alignment / 1 Welded Alignment	SRK-525	481 00 389
1069	2 Welded Alignment	SRK-456	481 00 319

Model 228 or 230 Axle Connection - 2-Piece Adapter

Bolt Type	Description	SRK	Holland Part No.
1051	2-Piece Adapter	SRK-265	481 00 328
1051	1-Piece Adapter	SRK-149	481 00 206

Model 250 Pivot Connection - EZ and Welded Alignments

Bolt Type 1055 / 1069	Description	SRK	Holland Part No.
1069	2 Welded Alignment	SRK-524	481 00 388
1069	1 EZ-Alignment / 1 Welded Alignment	SRK-519	481 00 383
	2 EZ-Alignment	SRK-522	481 00 386
1055	1 EZ-Alignment / 1 Welded Alignment	SRK-523	481 00 387

Model 250 Axle Connection - 1- and 2-Piece Adapters

Bolt Type	Description	SRK	Holland Part No.
1051	1-Piece Adapter	SRK-149	481 00 206
1051	2-Piece Adapter	SRK-265	481 00 328

Model 300 Pivot Connection - Welded Alignments

Bolt Type 1055 / 1069	Description	SRK	Holland Part No.
1069	2 Welded Alignment	SRK-524	481 00 388

Model 300 Axle Connection - 1-Piece Adapter

Bolt Type	Description	SRK	Holland Part No.
1051	1-Piece Adapter	SRK-149	481 00 206

NOTE: Bushing connection kits and frame bracket replacement kits should be purchased as SRKs listed here (detailed component listings are on following pages).

RL SUSPENSION SERVICE REPAIR KITS (SRKs) *continued*

PIVOT AND AXLE CONNECTION REPLACEMENT KIT CHARTS

IMPORTANT: Welded Alignment frame brackets must be replaced with EZ-Align (non-welded) frame brackets.

SRK-149 - Axle 481 00 206

DESCRIPTION	PART NO.	QTY
Bolt Hex 1.125"-7 x 8.5" GR 8	932 01 051	4
Nut Hex Lock 1.125"-7 GR C	934 00 506	4
Bushing	900 08 149	4
Washer Spacer	900 36 175	8
Washer Flat 1.141"	900 36 177	8
Literature Instruction	941 00 509	1

SRK-203 - Pivot 481 00 264

DESCRIPTION	PART NO.	QTY
Bolt Hex 1.125"-7 x 9.5" GR 8	932 01 055	2
Nut Hex Lock 1.125"-7 GR C	934 00 506	2
Bushing	900 08 149	2
Washer Flat 1.141"	900 36 177	4
Literature Instructions	XL-AR453	1

SRK-457 - Axle 481 00 320

DESCRIPTION	PART NO.	QTY
Bolt Hex 1.125"-7 x 8.5" GR 8	932 01 051	4
Nut Hex Lock 1.125"-7 GR C	934 00 506	4
Bushing	900 08 149	4
Washer	900 36 217	8
Literature Instructions	XL-AR453	1

SRK-456 - Pivot* 481 00 319

DESCRIPTION	PART NO.	QTY
Bolt Hex 1.12"-7 x 8.5" GR 8	932 01 069	2
Nut Hex Lock 1.125"-7 GR C	934 00 506	2
Bushing	900 08 149	2
Washer Flat 1.141"	900 36 177	4
Alignment Bushing	900 08 198	4
Literature Instructions	XL-AR453	1
Decal, Torque Specification	XL-AR355	1

* Both alignment bushings are weldable adjustable.

SRK-519 - Pivot 481 00 383

DESCRIPTION	PART NO.	QTY
Bolt Hex 1.12"-7 x 8.5" GR 8	932 01 069	1
Nut Hex Lock 1.125"-7 GR C	934 00 506	2
Bushing	900 08 139	2
Washer Flat 1.141"	900 36 177	4
Alignment Block	905 08 019	1
Alignment Block Non Weld	900 08 238	1
Welded Axle Alignment Ins; EZ-Align Axle Alignment Ins.	XL-AR354	1
Decal, Torque Specification	XL-AR355	1

SRK-520 - Pivot

481 00 384

DESCRIPTION	PART NO.	QTY
Bolt Hex 1.125"-7 x 9.5" GR 8	932 01 055	1
Nut Hex Lock 1.125"-7 GR C	934 00 506	2
Bushing	900 08 149	2
Washer Flat 1.141"	900 36 177	4
Alignment Block	905 08 019	1
Alignment Block Non Weld	900 08 238	1
Welded Axle Alignment Ins; EZ-Align Axle Alignment Ins.	XL-AR354	1
Decal, Torque Specification	XL-AR355	1

SRK-521 - Pivot

481 00 385

DESCRIPTION	PART NO.	QTY
Bushing	900 08 149	2
Washer Flat 1.141"	900 36 177	4
Alignment Block	905 08 019	2
Alignment Block Non Weld	900 08 238	2
Nut Hex Lock 1.125"-7 GR C	934 00 506	2
Decal, Torque Specification	XL-AR355	1

SRK-522 - Pivot

481 00 386

DESCRIPTION	PART NO.	QTY
Bushing	900 08 139	2
Washer Flat 1.141"	900 36 177	4
Alignment Block	905 08 019	2
Alignment Block Non Weld	900 08 238	2
Nut Hex Lock 1.125"-7 GR C	934 00 506	2
Welded Axle Alignment Ins; EZ-Align Axle Alignment Ins.	XL-AR354	1
Decal, Torque Specification	XL-AR355	1

SRK-523 - Pivot

481 00 387

DESCRIPTION	PART NO.	QTY
Bushing	900 08 139	2
Washer Flat 1.141"	900 36 177	4
Alignment Block	905 08 019	1
Alignment Block Non Weld	900 08 238	1
Nut Hex Lock 1.125"-7 GR C	934 00 506	2
Bolt Hex 1.125"-7 x 9.5" GR 8	932 01 055	1
Welded Axle Alignment Ins; EZ-Align Axle Alignment Ins.	XL-AR354	1
Decal, Torque Specification	XL-AR355	1

SRK-524 - Pivot

481 00 388

DESCRIPTION	PART NO.	QTY
Bushing	900 08 139	2
Washer Flat 1.141"	900 36 177	4
Bolt Hex 1.12"-7 x 8.5" GR 8	932 01 069	2
Nut Hex Lock 1.125"-7 GR C	934 00 506	2
Literature Instructions	XL-AR453	1

RL SUSPENSION SERVICE REPAIR KITS (SRKs) *continued*

PIVOT AND AXLE CONNECTION REPLACEMENT KIT CHARTS *continued*

IMPORTANT: Welded Alignment frame brackets **must** be replaced with EZ-Align (non-welded) frame brackets.

SRK-525 - Pivot 481 00 389

DESCRIPTION	PART NO.	QTY
Bolt Hex 1.125"-7 x 8.5" GR 8	932 01 069	1
Nut Hex Lock 1.125"-7 GR C	934 00 506	2
Bushing	900 08 149	2
Washer Flat 1.141"	900 36 177	4
Alignment Block	905 08 019	1
Alignment Block Non Weld	900 08 238	1
Literature Instructions	XL-AR453	1
Decal, Torque Specification	XL-AR355	1

RL-228 PIVOT AND AXLE CONNECTION REPLACEMENT KIT CHARTS

SRK-145 - Pivot 481 00 202

DESCRIPTION	PART NO.	QTY
Bolt Hex 1.125"-7 x 9.5" GR 8	932 01 055	2
Nut Hex Lock 1.125"-7 GR C	934 00 506	2
Bushing	900 08 139	2
Washer Flat 1.141"	900 36 177	4
Pivot Connection Instructions	XL-AK406	1
Decal, Torque Specifications	XL-AR355	1

SRK-203 - Pivot 481 00 264

DESCRIPTION	PART NO.	QTY
Bolt Hex 1.125"-7 x 9.53" GR 8	932 01 055	2
Nut Hex Lock 1.125"-7 GR C	934 00 506	2
Bushing	900 08 149	2
Washer Flat 1.141"	900 36 177	4
Literature Instructions	XL-AR453	1

SRK-227 - Pivot 481 00 289

DESCRIPTION	PART NO.	QTY
Bolt Hex 1.125"-7 x 9.53" GR 8	932 01 055	1
Nut Hex Lock 1.125"-7 GR C	934 00 506	2
Bushing	900 08 149	2
Washer Flat 1.141"	900 36 177	4
Alignment Block	905 08 019	1
Alignment Block Non Weld	900 08 238	1
Literature Instructions	XL-AR453	1

SRK-229 - Axle 481 00 291

DESCRIPTION	PART NO.	QTY
Bolt Hex 1.125"-7 x 8.5" GR 8	932 01 051	2
Nut Hex Lock 1.125"-7 GR C	934 00 506	2
Washer Flat 1.141"	900 36 177	4
Adapter, Axle, LH	905 01 329	1
Adapter, Axle, RH	900 01 341	1
Literature Instructions	XL-AR445	1

SRK-230 - Axle 481 00 292

DESCRIPTION	PART NO.	QTY
Bolt Hex 1.125"-7 x 8.5" GR 8	932 01 051	2
Nut Hex Lock 1.125"-7 GR C	934 00 506	2
Washer Flat 1.141"	900 36 177	4
Adapter, Axle, RH	905 01 330	1
Adapter, Axle, RH	900 01 340	1
Literature Instructions	XL-AR445	1

SRK-266 - Pivot 481 00 329

DESCRIPTION	PART NO.	QTY
Bolt Hex 1.125"-7 x 8.5" GR 8	932 01 069	1
Nut Hex Lock 1.125"-7 GR C	934 00 506	2
Bushing	900 08 149	2
Washer Flat 1.141"	900 36 177	4
Alignment Block	905 08 019	1
Alignment Block Non Weld	900 08 238	1
Alignment Bushing	900 08 198	2
Literature Instructions	XL-AR453	1

RL SUSPENSION SERVICE REPAIR KITS (SRKs) *continued*

FRAME BRACKET REPLACEMENT KIT CHARTS

IMPORTANT: Welded Alignment frame brackets **must** be replaced with EZ-Align (non-welded) frame brackets.

RL-230-12 SRK-543 481 00 407

DESCRIPTION	PART NO.	QTY
Frame Bracket Assy EZ-Align	905 20 859	1
Alignment Block Assy	905 08 019	1
Nut Hex 1.125"-7	934 00 506	1
Washer	900 36 177	2
Alignment Block	900 08 238	1
Angle Brace	900 25 157	2

RL-230-14 SRK-544 481 00 408

DESCRIPTION	PART NO.	QTY
Frame Bracket Assy EZ-Align	905 21 147	1
Alignment Block Assy	905 08 019	1
Nut Hex 1.125"-7	934 00 506	1
Washer	900 36 177	2
Alignment Block	900 08 238	1
Angle Brace	900 25 157	2

RL-230-15 SRK-545 481 00 409

DESCRIPTION	PART NO.	QTY
Frame Bracket Assy EZ-Align	905 21 148	1
Alignment Block Assy	905 08 019	1
Nut Hex 1.125"-7	934 00 506	1
Washer	900 36 177	2
Alignment Block	900 08 238	1
Angle Brace	900 25 157	2

RL-230-16, -17 SRK-546 481 00 410

DESCRIPTION	PART NO.	QTY
Frame Bracket Assy EZ-Align	905 21 149	1
Alignment Block Assy	905 08 019	1
Nut Hex 1.125"-7	934 00 506	1
Washer	900 36 177	2
Alignment Block	900 08 238	1
Angle Brace	900 23 002	2

RL-230-14-HMS SRK-547 481 00 411

DESCRIPTION	PART NO.	QTY
Frame Bracket Assy EZ-Align, roadside	905 21 325	1
Alignment Block Assy	905 08 019	1
Nut Hex 1.125"-7	934 00 506	1
Washer	900 36 177	2
Alignment Block	900 08 238	1
Angle Brace	900 25 157	1

RL-230-14-HMS SRK-548 481 00 412

DESCRIPTION	PART NO.	QTY
Frame Bracket Assy EZ-Align, curbside	905 21 326	1
Alignment Block Assy	905 08 019	1
Nut Hex 1.125"-7	934 00 506	1
Washer	900 36 177	2
Alignment Block	900 08 238	1
Angle Brace	900 25 157	1

RL-230-15 SRK-549 481 00 413

DESCRIPTION	PART NO.	QTY
Frame Bracket Assy EZ-Align, roadside	905 21 327	1
Alignment Block Assy	905 08 019	1
Nut Hex 1.125"-7	934 00 506	1
Washer	900 36 177	2
Alignment Block	900 08 238	1
Angle Brace	900 25 157	1

RL-230-15-HMS SRK-550 481 00 414

DESCRIPTION	PART NO.	QTY
Frame Bracket Assy EZ-Align, curbside	905 21 328	1
Alignment Block Assy	905 08 019	1
Nut Hex 1.125"-7	934 00 506	1
Washer	900 36 177	2
Alignment Block	900 08 238	1
Angle Brace	900 25 157	1

RL-230-16, -17, -HMS SRK-551 481 00 415

DESCRIPTION	PART NO.	QTY
Frame Bracket Assy EZ-Align, roadside	905 21 377	1
Alignment Block Assy	905 08 019	1
Nut Hex 1.125"-7	934 00 506	1
Washer	900 36 177	2
Alignment Block	900 08 238	1
Angle Brace	900 25 157	1

RL-230-16, -17,-HMS SRK-552 481 00 416

DESCRIPTION	PART NO.	QTY
Frame Bracket Assy EZ-Align, curbside	905 21 378	1
Alignment Block Assy	905 08 019	1
Nut Hex 1.125"-7	934 00 506	1
Washer	900 36 177	2
Alignment Block	900 08 238	1
Angle Brace	900 23 002	1

RL SUSPENSION SERVICE REPAIR KITS (SRK) *continued*

FRAME BRACKET REPLACEMENT KIT CHARTS *continued*

IMPORTANT: Welded Alignment frame brackets **must** be replaced with EZ-Align (non-welded) frame brackets.

RL-250-14, -15 SRK-553 481 00 417

DESCRIPTION	PART NO.	QTY
Frame Bracket Assy EZ-Align	905 21 151	1
Alignment Block Assy	905 08 019	1
Nut Hex 1.125"-7	934 00 506	1
Washer	900 36 177	2
Alignment Block	900 08 238	1
Angle Brace	900 23 002	2

RL-250-16, -17 SRK-554 481 00 418

DESCRIPTION	PART NO.	QTY
Frame Bracket Assy EZ-Align	905 21 152	1
Alignment Block Assy	905 08 019	1
Nut Hex 1.125"-7	934 00 506	1
Washer	900 36 177	2
Alignment Block	900 08 238	1
Angle Brace	900 23 001	2

RL-300-12, -13 SRK-555 481 00 419

DESCRIPTION	PART NO.	QTY
Frame Bracket Assy Welded Alignment	905 20 383	1
Alignment Block	900 08 147	2
Nut Hex 1.125"-7	934 00 506	1
Washer	900 36 177	2
Angle Brace	900 25 157	2
Pivot Bolt 1.125"-7	932 01 069	1

RL-300-14 SRK-556 481 00 420

DESCRIPTION	PART NO.	QTY
Frame Bracket Assy Welded Alignment	905 21 144	1
Alignment Block	900 08 198	2
Nut Hex 1.125"-7	934 00 506	1
Washer	900 36 177	2
Angle Brace	900 23 002	2
Pivot Bolt 1.125"-7	932 01 069	1

RL-300-15 SRK-557 481 00 421

DESCRIPTION	PART NO.	QTY
Frame Bracket Assy Welded Alignment	905 21 145	1
Alignment Block	900 08 198	2
Nut Hex 1.125"-7	934 00 506	1
Washer	900 36 177	2
Angle Brace	900 23 002	2
Pivot Bolt 1.125"-7	932 01 069	1

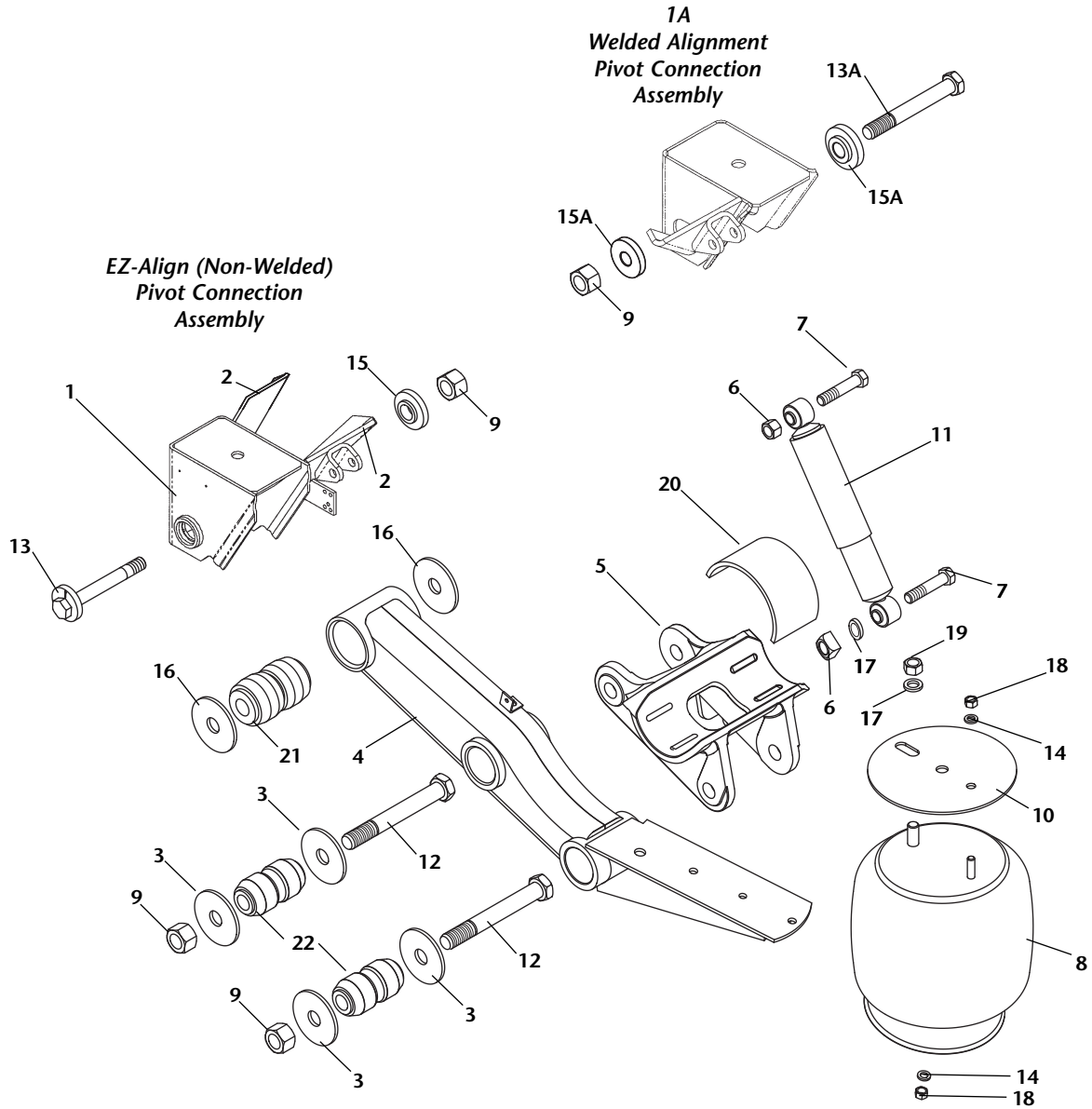
RL-300-16, -17 SRK-558 481 00 422

DESCRIPTION	PART NO.	QTY
Frame Bracket Assy EZ-Align Welded Alignment	905 21 146	1
Alignment Block	905 08 198	2
Nut Hex 1.125"-7	934 00 506	1
Washer	900 36 177	2
Angle Brace	900 23 001	2
Pivot Bolt 1.125"-7	932 01 069	1

This page intentionally left blank

RLU-228 SUSPENSION EXPLODED VIEW (3" AXLE TRAVEL UP)

IMPORTANT: To ensure proper part number identification before placing order, visually check component to be replaced for part number. If part number cannot be identified or confirmed, contact Holland technical service for assistance - 888-396-6501.



RLU-228 CURRENT PRODUCTION SUSPENSION PARTS LIST (3" AXLE TRAVEL UP)

ITEM NO.	DESCRIPTION	RLU-228-6-3	RLU-228-7-3	RLU-228-8-3	RLU-228-9-3	RLU-228-10-3	RLU-228-12-3	QTY.
1	Frame Bracket (roadside EZ-Align HMS)	90521059	90521006	90521045	90521547	90521548	90521406	1
	Frame Bracket (curbside EZ-Align HMS)	90521162	90521158	90521159	90521550	-	-	1
1A	Frame Bracket (curbside Welded Alignment HMS)	90521558	-	-	90521541	90521542	90521414	1
	Frame Bracket (coped x-member EZ-Align)	90521486	90521552	90521553	90521553	-	-	1
	Frame Bracket (coped x-member)	90521488	90521543	90521544	90521544	-	-	1
	Angle Brace	90025157	90023002	90023002	90023002	90023001	90023001	4
3	1-1/8" Spacer Washer (axle connection)	90036177	90036177	90036177	90036177	90036177	90036177	8
4	Suspension Sub-Assembly (HMS) (roadside)	90546057	90546057	90546057	90546057	90546057	90546057	1
	Equalizing Beam (roadside)	90516552	90516552	90516552	90516552	90516552	90516552	1
	Suspension Sub-Assembly (HMS) (curbside)	90546058	90546058	90546058	90546058	90546058	90546058	1
	Equalizing Beam (curbside)	90516553	90516553	90516553	90516553	90516553	90516553	1
5	Axle Adapter (roadside)	90501447	90501447	90501447	90501447	90501447	90501447	1
	Axle Adapter (curbside)	90501448	90501448	90501448	90501448	90501448	90501448	1
6	3/4"-10 Hex Nut (upper shock lock nut)	93400492	93400492	93400492	93400492	93400492	93400492	2
	3/4"-10 Hex Nut (upper shock lock nut)	93400553	-	-	-	-	-	2
	3/4"-10 Square Nut (for lower shock bolt)	-	93400367	93400367	93400367	93400367	93400367	2
7	3/4"-10x3 1/2" Bolt	93003597	93003597	93003597	93003597	93003597	93003597	2
	3/4"-10x4" Bolt (lower shock bolt)	93003609	93003609	93003609	93003609	93003609	93003609	2
8	Air Spring	90557117	90557117	90557118	90557119	90521124	90557119	2
9	1-1/8" Lock Nut	93400506	93400506	93400506	93400506	93400506	93400506	6
10	Air Spring Mtg Plate (ASMP)	90033785	90033785	90033785	90033785	90033785	90033785	2
11	Shock Absorber	90045298	90044162	90045040	90045054	90044642	90044642	2
12	1-1/8" Bolt (axle connection)	93201051	93201051	93201051	93201051	93201051	93201051	4
13	1-1/8" Pivot Bolt Alignment Block Assy (EZ-Align)	90508019	90508019	90508019	90508019	90508019	90508019	1*
13A	1-1/8" Pivot Bolt (Welded Alignment)	93201055	93201069	93201069	93201069	93201069	93201055	1
14	1/2" Lock Washer	93600072	93600072	93600072	93600072	93600072	93600072	4
15	Alignment Block (EZ-Align)	90008238	90008238	90008238	90008238	90008238	90008238	1*
15A	Alignment Block (Welded Alignment)	90008147	90008198	90008198	90008198	90008198	90008147	2
16	Pivot Washer, 1.14" dia.	93600177	93600177	93600177	93600177	93600177	93600177	4
17	3/4" Lock Washer	93600077	93600077	93600077	93600077	93600077	93600077	4
18	1/2"-13 Nut	93400136	93400136	93400136	93400136	93400136	93400136	4
19	3/4"-16 Hex Nut (top of air spring)	93400149	93400149	93400149	93400149	93400149	93400149	2
20	Plate Wrapper	90025288	90025288	90025288	90025288	90025288	90025288	2
21*	Pivot Bushing	90008139	90008139	90008139	90008139	90008139	90008139	1
22*	Axle Bushing	90008149	90008149	90008149	90008149	90008149	90008149	2

* Replacement components should be purchased in bushing connection SRK kits listed below.

SRK-145 - Pivot

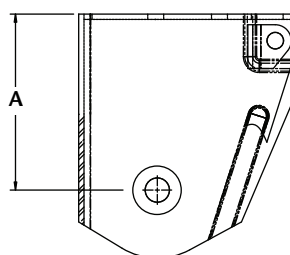
481 00 202

DESCRIPTION	PART NO.	QTY
Bolt Hex 1.125"-7 x 9.5" GR 8	932 01 055	2
Nut Hex Lock 1.125"-7 GR C	934 00 506	2
Bushing	900 08 139	2
Washer Flat 1.141"	900 36 177	4
Pivot Connection Instructions	XL-AK406	1
Decal, Torque Specifications	XL-AR355	1

SRK-149 - Axle

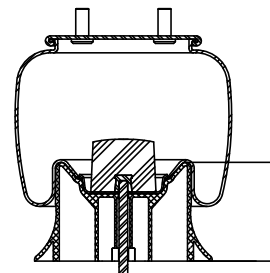
481 00 206

DESCRIPTION	PART NO.	QTY
Bolt Hex 1.125"-7 x 8.5" GR 8	932 01 051	4
Nut Hex Lock 1.125"-7 GR C	934 00 506	4
Bushing	900 08 149	4
Washer Spacer	900 36 175	8
Washer Flat 1.141"	900 36 177	8
Literature Instruction	941 00 509	1



Frame Bracket

"A" DIM	PART NO.
5.66"	905 21 059
7.10"	905 21 006
8.06"	905 21 547
8.10"	905 21 045
10.44"	905 21 548
11.10"	905 21 406

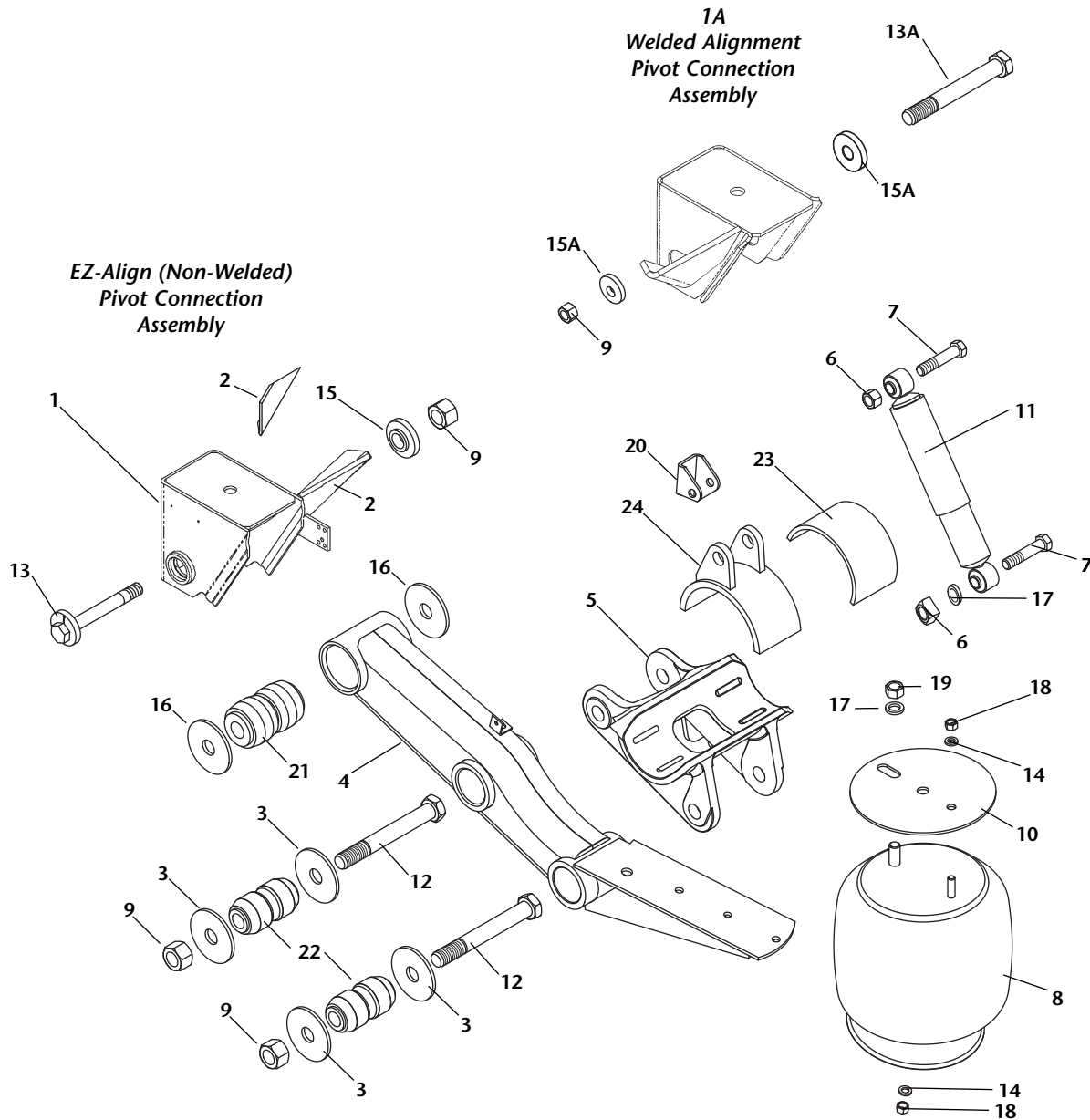


Air Spring

"A" DIM	PART NO.
4.75"	905 57 117
5.70"	905 57 118
7.40"	905 57 119
7.57"	905 57 124

RLU-228-3 (FORMERLY ARU-93) SUSPENSION EXPLODED VIEW

IMPORTANT: RLU-228-3 Series Suspension components were previously known as suspension model ARU-93; the alignment collar is 3-1/2" in diameter. To ensure proper part number identification before placing order, visually check component to be replaced for part number. If part number cannot be identified or confirmed, contact Holland technical service for assistance - 888-396-6501.



RLU-228-3 (FORMERLY ARU-93) SUSPENSION PARTS LIST

ITEM NO.	DESCRIPTION	RLU-228-6-3	RLU-228-7-3	RLU-228-8-3	RLU-228-9-3	RLU-228-10-3	QTY.
1	Frame Bracket (roadside - Welded Adj. Alignment)	90521564	90520346	90519710	90519710	90521149	1
	Frame Bracket (curbside - Welded Alignment)	90521561	-	-	-	-	1
	Frame Bracket (roadside EZ-Align HMS)	-	90521546	-	90521547	-	1*
	Frame Bracket (curbside EZ-Align HMS)	-	-	-	-	-	1
	Frame Bracket (curbside Welded Alignment HMS)	-	90521540	-	90521541	-	1
2	Angle Brace	90025157	90023002	90023002	90023002	90023002	4
3	1-1/8" Spacer Washer (axle connection)	90036177	90036177	90036177	90036177	90036177	8
4	Suspension Sub-Assembly (HMS) (roadside)	-	90546057	90546057	90546057	90546057	1
	Equalizing Beam (roadside)	90516552	90516552	90516552	90516552	90516552	1
	Suspension Sub-Assembly (HMS) (curbside)	-	90546058	90546058	90546058	90546058	1
	Equalizing Beam (curbside)	90516553	90516553	90516553	90516553	90516553	1
5	Axle Adapter (roadside)	90501447	90501447	90501447	90501447	90501447	1
	Axle Adapter (curbside)	90501448	90501448	90501448	90501448	90501448	1
6	3/4"-10 Hex Nut (upper shock lock nut)	93400492	93400492	93400492	93400492	93400492	2
	3/4"-10 Square Nut (for lower shock bolt)	93400367	93400367	93400367	93400367	93400367	2
7	3/4"-10x3 1/2" Bolt	93003597	93003597	93003597	93003597	93003597	2
	3/4"-10x4" Bolt (lower shock bolt)	93003609	93003609	93003609	93003609	93003609	2
8	Air Spring	90557117	90557117	90557118	90557119	90557119	2
9	1-1/8" Lock Nut	93400506	93400506	93400506	93400506	93400506	6
10	Air Spring Mtg Plate (ASMP)	90033785	90033785	90033785	90033785	90033785	2
11	Shock Absorber	90045040	90044642	90044626	90044626	90044089	2
12	1-1/8" Bolt (axle connection)	93201051	93201051	93201051	93201051	93201051	4
13	1-1/8" Pivot Bolt Alignment Block Assy (EZ-Align)	-	90508019	-	90508019	-	1*
13A	1-1/8" Pivot Bolt (Welded Alignment)	93201055	93201055	93201055	93201055	93201055	1
14	1/2" Lock Washer	93600072	93600072	93600072	93600072	93600072	4
15	Alignment Block (EZ-Align)	-	90008238	-	90008238	-	1*
15A	Alignment Block (Welded Alignment)	90008147	90008147	90008147	90008147	90008147	2
16	Pivot Washer, 1.14" dia.	93600177	93600177	93600177	93600177	93600177	4
17	3/4" Lock Washer	93600077	93600077	93600077	93600077	93600077	4
18	1/2"-13 Nut	93400136	93400136	93400136	93400136	93400136	4
19	3/4"-16 Hex Nut (top of air spring)	93400149	93400149	93400149	93400149	93400149	2
20	Upper Shock Bracket	90519040	90519040	90519040	90519040	90018445	2
21*	Pivot Bushing	90008139	90008139	90008139	90008139	90008139	1
22*	Axle Bushing	90008149	90008149	90008149	90008149	90008149	2
23	Plate Wrapper	90025288	90025288	90025288	90025288	90025288	2
24	Lower Shock Assembly	90520276	90520276	90520276	90520276	90520276	2

* Replacement components should be purchased in bushing connection SRK kits listed below.

SRK-145 - Pivot

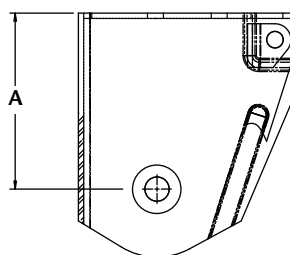
481 00 202

DESCRIPTION	PART NO.	QTY
Bolt Hex 1.125"-7 x 9.5" GR 8	932 01 055	2
Nut Hex Lock 1.125"-7 GR C	934 00 506	2
Bushing	900 08 139	2
Washer Flat 1.141"	900 36 177	4
Pivot Connection Instructions	XL-AK406	1
Decal, Torque Specifications	XL-AR355	1

SRK-149 - Axle

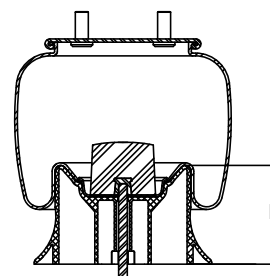
481 00 206

DESCRIPTION	PART NO.	QTY
Bolt Hex 1.125"-7 x 8.5" GR 8	932 01 051	4
Nut Hex Lock 1.125"-7 GR C	934 00 506	4
Bushing	900 08 149	4
Washer Spacer	900 36 175	8
Washer Flat 1.141"	900 36 177	8
Literature Instruction	941 00 509	1



Frame Bracket

"A" DIM	PART NO.
7.25"	905 20 346
8.25"	905 19 710



Air Spring

"B" DIM	PART NO.
4.75"	905 57 117
5.70"	905 57 118
7.40"	905 57 119

RLU-228 AXLE MOUNTED SHOCK (AMS) SUSPENSION PARTS LIST

ITEM NO.	DESCRIPTION	RLU-228-8-3	RLU-228-9-3	RLU-228-10-3	RLU-228-12-3	QTY.	
1	Frame Bracket (roadside - Welded Alignment)	90520346	90519710	90520828	90519712	1	
	Frame Bracket (curbside - Welded Alignment)	-	-	-	-	1	
	Frame Bracket (roadside EZ-Align HMS)	-	-	-	-	1	
	Frame Bracket (curbside EZ-Align HMS)	-	-	-	-	1	
	Frame Bracket (curbside Welded Alignment HMS)	-	-	-	-	1	
2	Angle Brace	90023002	90023002	90023001	90023001	4	
	3	1-1/8" Spacer Washer (axle connection)	90036177	90036177	90036177	90036177	8
		4	Suspension Sub-Assembly (HMS) (roadside)	-	-	-	-
	Equalizing Beam (roadside)	90516579	90516579	90516579	90516579	1	
	Suspension Sub-Assembly (HMS) (curbside)	-	-	-	-	1	
	Equalizing Beam (curbside)	90516580	90516580	90516580	90516580	1	
5	Axle Adapter (roadside)	90001200	90001200	90001200	90001200	1	
	Axle Adapter (curbside)	90001200	90001200	90001200	90001200	1	
6	3/4"-10 Hex Nut (upper shock lock nut)	93400492	93400492	93400492	93400492	2	
	3/4"-10 Square Nut (for lower shock bolt)	-	-	-	-	2	
7	3/4"-10x3 1/2" Bolt	93003597	93003597	93003597	93003597	2	
	3/4"-10x4" Bolt (lower shock bolt)	-	-	-	-	2	
8	Air Spring	90557117	90557112	90557112	90557126	2	
9	1-1/8" Lock Nut	93400506	93400506	93400506	93400506	6	
10	Air Spring Mtg Plate (ASMP)	90033785	90033785	90033785	90033785	2	
11	Shock Absorber	90044162	90044642	90044642	90044642	2	
12	1-1/8" Bolt (axle connection)	93201051	93201051	93201051	93201051	4	
13	1-1/8" Pivot Bolt Alignment Block Assy (EZ-Align)	-	-	-	-	1	
13A	1-1/8" Pivot Bolt (Welded Alignment)	93201055	93201055	93201055	93201055	1	
14	1/2" Lock Washer	93600072	93600072	93600072	93600072	4	
15	Alignment Block (EZ-Align)	-	-	-	-	1	
15A	Alignment Block (Welded Alignment)	90008147	90008147	90008147	90008147	2	
16	Pivot Washer, 1.14" dia.	93600177	93600177	93600177	93600177	4	
17	3/4" Lock Washer	93600077	93600077	93600077	93600077	4	
18	1/2"-13 Nut	93400136	93400136	93400136	93400136	4	
19	3/4"-16 Hex Nut (top of air spring)	93400149	93400149	93400149	93400149	2	
20	Upper Shock Bracket	90519040	90519040	90519040	90519040	2	
21*	Pivot Bushing	90008139	90008139	90008139	90008139	1	
22*	Axle Bushing	90008149	90008149	90008149	90008149	2	
23	Axle Mount Shock Bracket	90520276	90520276	90520276	90520276	2	
24	Plate Wrapper	90025288	90025288	90025288	90025288	2	

* Replacement components should be purchased in bushing connection SRK kits listed below.

SRK-145 - Pivot

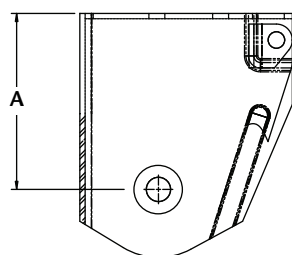
481 00 202

DESCRIPTION	PART NO.	QTY
Bolt Hex 1.125"-7 x 9.5" GR 8	932 01 055	2
Nut Hex Lock 1.125"-7 GR C	934 00 506	2
Bushing	900 08 139	2
Washer Flat 1.141"	900 36 177	4
Pivot Connection Instructions	XL-AK406	1
Decal, Torque Specifications	XL-AR355	1

SRK-149 - Axle

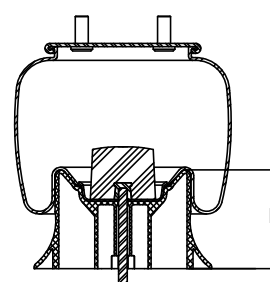
481 00 206

DESCRIPTION	PART NO.	QTY
Bolt Hex 1.125"-7 x 8.5" GR 8	932 01 051	4
Nut Hex Lock 1.125"-7 GR C	934 00 506	4
Bushing	900 08 149	4
Washer Spacer	900 36 175	8
Washer Flat 1.141"	900 36 177	8
Literature Instruction	941 00 509	1



Frame Bracket

"A" DIM	PART NO.
7.25"	905 20 346
8.25"	905 19 710
10.59"	905 20 828
11.25"	905 19 712

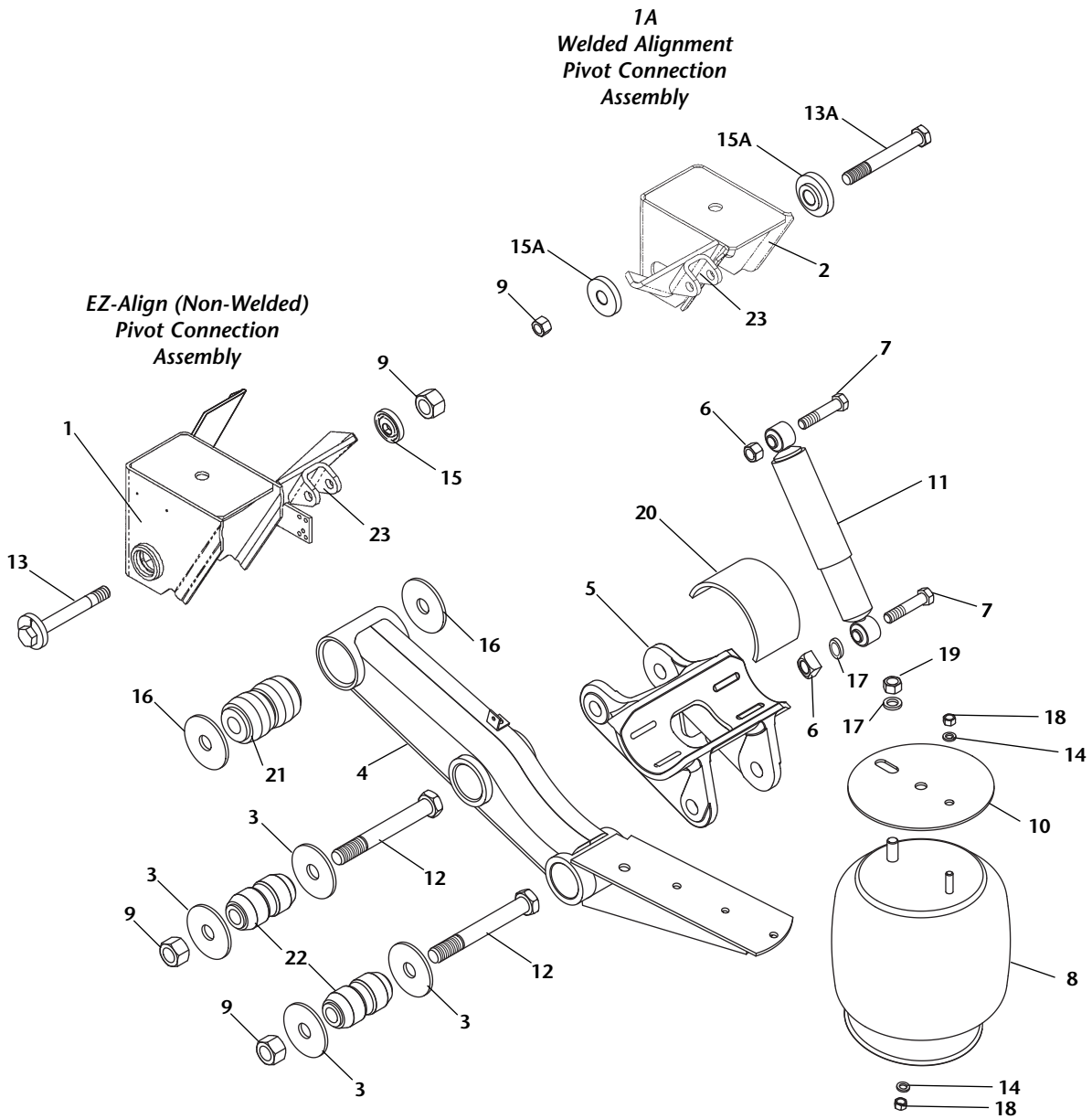


Air Spring

"B" DIM	PART NO.
4.75"	905 57 117
5.66"	905 57 112
7.57"	905 57 126

**RLU-228 CURRENT PRODUCTION SUSPENSION EXPLODED VIEW
(4" AXLE TRAVEL UP - CAN BE USED WITH A LIFT)**

IMPORTANT: To ensure proper part number identification before placing order, visually check component to be replaced for part number. If part number cannot be identified or confirmed, contact Holland technical service for assistance - 888-396-6501.



SRK-145 - Pivot

481 00 202

DESCRIPTION	PART NO.	QTY
Bolt Hex 1.125"-7 x 9.5" GR 8	932 01 055	2
Nut Hex Lock 1.125"-7 GR C	934 00 506	2
Bushing	900 08 139	2
Washer Flat 1.141"	900 36 177	4
Pivot Connection Instructions	XL-AK406	1
Decal, Torque Specifications	XL-AR355	1

SRK-149 - Axle

481 00 206

DESCRIPTION	PART NO.	QTY
Bolt Hex 1.125"-7 x 8.5" GR 8	932 01 051	4
Nut Hex Lock 1.125"-7 GR C	934 00 506	4
Bushing	900 08 149	4
Washer Spacer	900 36 175	8
Washer Flat 1.141"	900 36 177	8
Literature Instruction	941 00 509	1

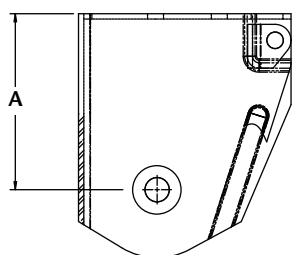
RLU-228 CURRENT PRODUCTION SUSPENSION PARTS LIST (4" AXLE TRAVEL UP - CAN BE USED WITH A LIFT)

ITEM NO.	DESCRIPTION	RLU-228-8-4	RLU-228-9-4	RLU-228-10-4	RLU-228-12-4	QTY.
1	Frame Bracket (roadside - Welded Alignment)	-	90519710	-	-	1
	Frame Bracket (curbside - Welded Alignment)	-	-	-	-	1
	Frame Bracket (roadside EZ-Align HMS)	90521546	90521547	90521548	90521047	1
	Frame Bracket (curbside EZ-Align HMS)	-	-	-	-	1
	Frame Bracket (curbside Welded Alignment)	-	-	-	-	1
	Frame Bracket (curbside Welded Alignment HMS)	90521540	90521541	90521542	90521051	1
2	Angle Brace	90023002	90023002	90023001	90023001	4
3	1-1/8" Spacer Washer (axle connection)	90036177	90036177	90036177	90036177	8
4	Suspension Sub-Assembly (HMS) (roadside)	90546057	90546057	90546057	90546057	1
	Equalizing Beam (roadside)	90516552	90516552	90516552	90516552	1
	Suspension Sub-Assembly (HMS) (curbside)	90546058	90546058	90546058	90546058	1
	Equalizing Beam (curbside)	90516553	90516553	90516553	90516553	1
5	Axle Adapter (roadside)	90501447	90501447	90501447	90501447	1
	Axle Adapter (curbside)	90501448	90501448	90501448	90501448	1
6	3/4"-10 Hex Nut (upper shock lock nut)	93400492	93400492	93400492	93400492	2
	3/4"-10 Hex Nut (upper shock lock nut)	93400367	93400367	93400367	93400367	2
	3/4"-10 Square Nut (for lower shock bolt)	93400367	93400367	93400367	93400367	2
7	3/4"-10x3 1/2" Bolt	93003597	93003597	93003597	93003597	2
	3/4"-10x4" Bolt (lower shock bolt)	93003609	93003609	93003609	93003609	2
8	Air Spring	90557117	90557112	90557124	90557126	2
9	1-1/8" Lock Nut	93400506	93400506	93400506	93400506	6
10	Air Spring Mtg Plate (ASMP)	90033785	90033785	90033785	90033785	2
11	Shock Absorber	90045337*	90045040**	-	90044642**	2
	Shock Absorber	90044162*	90044626**	90044642**	90044626**	2
12	1-1/8" Bolt (axle connection)	93201051	93201051	93201051	93201051	4
13	1-1/8" Pivot Bolt Alignment Block Assy (EZ-Align)	90508019	90508019	90508019	90508019	1
13A	1-1/8" Pivot Bolt (Welded Alignment)	93201069	93201055	93201069	93201055	1
14	1/2" Lock Washer	93600072	93600072	93600072	93600072	4
15	Alignment Block (EZ-Align)	90008238	90008238	90008238	90008238	1
15A	Alignment Block (Welded Alignment)	90008198	90008147	90008198	90008147	2
16	Pivot Washer, 1.14" dia.	90036177	90036177	90036177	90036177	4
17	3/4" Lock Washer	93600077	93600077	93600077	93600077	4
18	1/2"-13 Nut	93400136	93400136	93400136	93400136	4
19	3/4"-16 Hex Nut (top of air spring)	93400149	93400149	93400149	93400149	2
20	Plate Wrapper	90025288	90025288	90025288	90025288	2
21***	Pivot Bushing	90008139	90008139	90008139	90008139	1
22***	Axle Bushing	90008149	90008149	90008149	90008149	2
23	Upper Shock Bracket	-	90519040	-	90519040	2

* 900 45 337 dust cover diameter is 2.75", 900 44 162, 2.5".

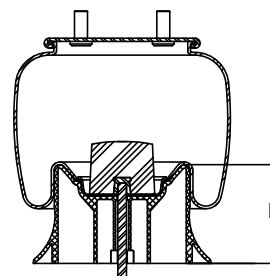
** 900 45 040 stretches to 18", 900 44 642 to 20", 900 44 626 to 24".

***Replacement components should be purchased in bushing connection SRK kits.



Frame Bracket

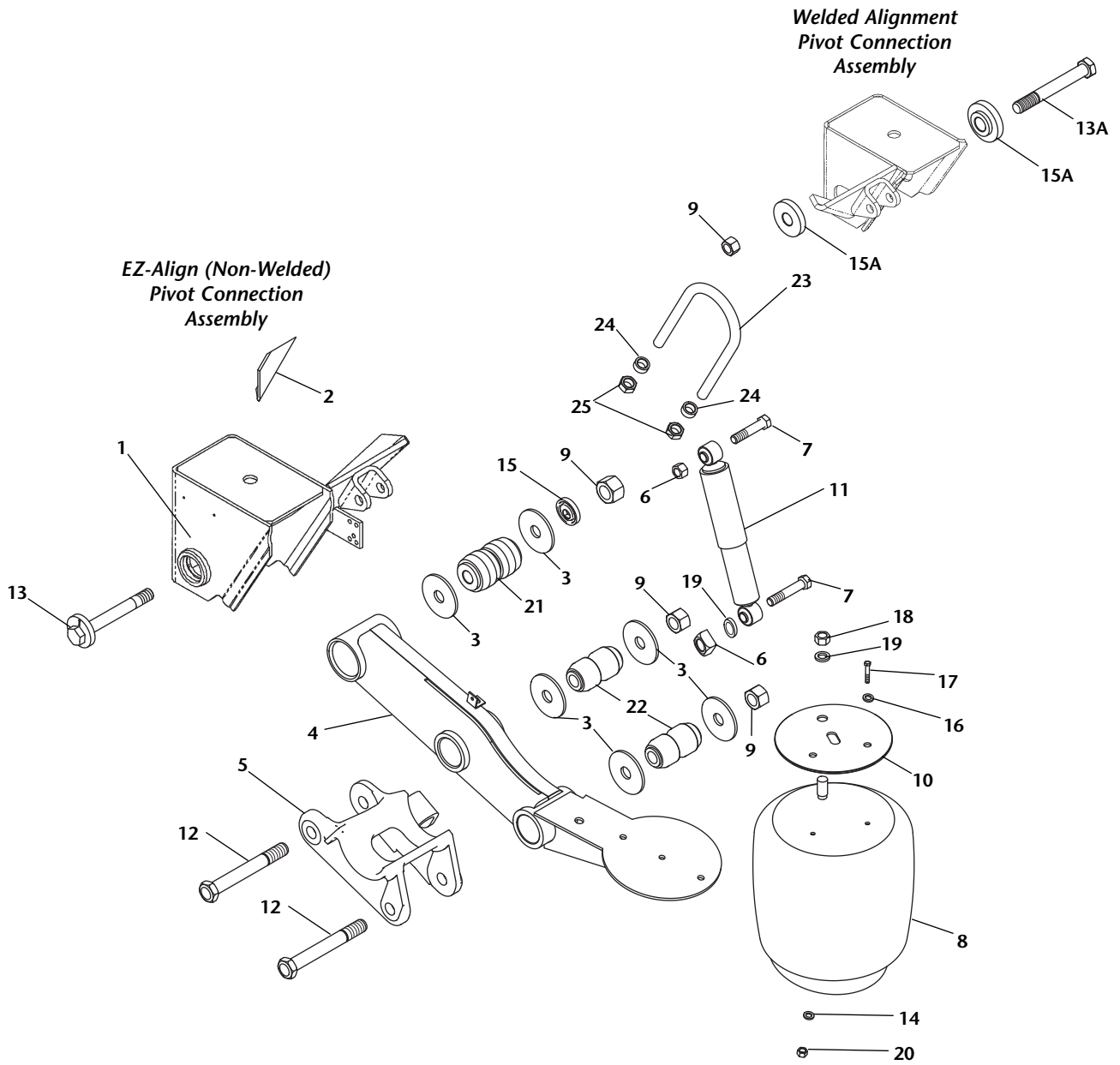
"A" DIM	PART NO.
8.25"	905 19 710



Air Spring

"B" DIM	PART NO.
4.75"	905 57 117
5.66"	905 57 112
7.57"	905 57 124
7.57"	905 57 126

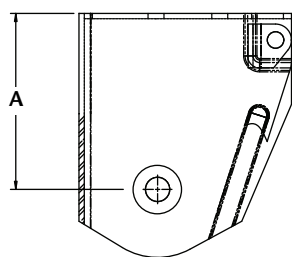
RLU-250 STANDARD SUSPENSION EXPLODED VIEW



RLU-250 STANDARD SUSPENSION PARTS LIST

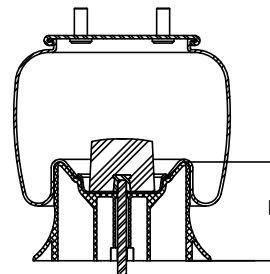
ITEM NO.	DESCRIPTION	RLU-250-6.5	RLU-250-9	RLU-250-12	QTY.
1	Frame Bracket (roadside - Welded Adjustable)	90521388	90521295	90521389	1
	Frame Bracket (roadside - EZ-Align)	90521384	90521297	90521385	1
	Frame Bracket (curbside - Welded Adjustable)	90521390	90521296	90521391	1
	Frame Bracket (curbside - EZ-Align)	90521386	90521298	90521387	1
2	Angle Brace	90023002	90023002	90023002	4
	Angle Brace	90025873	90025873	90025873	4
3	1-1/8" Spacer Washer	90036177	90036177	90036177	12
	1-1/8" Wear Washer	-	-	-	12
4	Equalizing Beam (with adapters - roadside)	90546795	90546795	90546795	1
	Equalizing Beam (roadside)	90516873	90516873	90516873	1
	Equal. Beam (w/ adapters - roadside EZ-Align)	-	-	-	1
	Equalizing Beam (roadside EZ-Align)	-	-	-	1
	Equalizing Beam (with adapters - curbside)	90546796	90546796	90546796	1
	Equalizing Beam (curbside)	90516874	90516874	90516874	1
	Equal. Beam (w/ adapters - curbside EZ-Align)	-	-	-	1
	Equalizing Beam (curbside EZ-Align)	-	-	-	1
5	Axle Adapter (roadside)	90501379	90501379	90501379	1
	Axle Adapter (curbside)	90501380	90501380	90501380	1
6	3/4"-10 Hex Nut (upper shock lock nut)	93400492	93400492	93400492	4
	3/4"-10 Square Nut (for lower shock bolt)	93400367	93400367	93400367	2
7	3/4"-10x3 1/2" Bolt	93003597	93003597	93003597	4
	3/4"-10x4" Bolt (lower shock bolt)	93003609	93003609	93003609	2
8	Air Spring	90557235	90557235	90557243	2
9	1-1/8" Lock Nut	93400506	93400506	93400506	6
10	Air Spring Mtg Plate (ASMP)	90034268	90034268	90034268	2
11	Shock Absorber	90045381	90044162	90044642	2
	Shock Absorber	-	-	-	2
12	1-1/8"-7 Bolt	93201051	93201051	93201051	4
13	1-1/8"-7x9.5" Pivot Bolt Alignment Block Assy (EZ-Align)	90508019	90508019	90508019	1
13A	1-1/8"-7x9.5" Pivot Bolt, Welded Adjustable	93201055	93201055	93201055	1
14	1/2" Washer	93600072	93600072	93600072	2
15	Alignment Block Assembly EZ-Align	90008238	90008238	90008238	1
15A	Alignment Bushing, Welded Adjustable	90008198	90008198	90008198	2
16	3/8" Lock Washer	93600515	93600515	93600515	2
17	3/8"-16x1" Hex Bolt	93002571	93002571	93002571	2
18	3/4"-16 Hex Nut (top of air spring)	93400149	93400149	93400149	4
19	3/4" Washer	93600077	93600077	93600077	4
20	1/2"-13 Hex Nut	93400136	93400136	93400136	2
21*	Pivot Bushing	90008139	90008139	90008139	1
22*	Axle Bushing	90008149	90008149	90008149	2
23	7/8"-9x11" U-Bolt	90041170	90041170	90041170	2
24	7/8" Flat Washer	93600162	93600162	93600162	4
25	7/8"-9 Hex Lock Nut	93400498	93400498	93400498	4

* Replacement components should be purchased in bushing connection SRK kits.



Frame Bracket

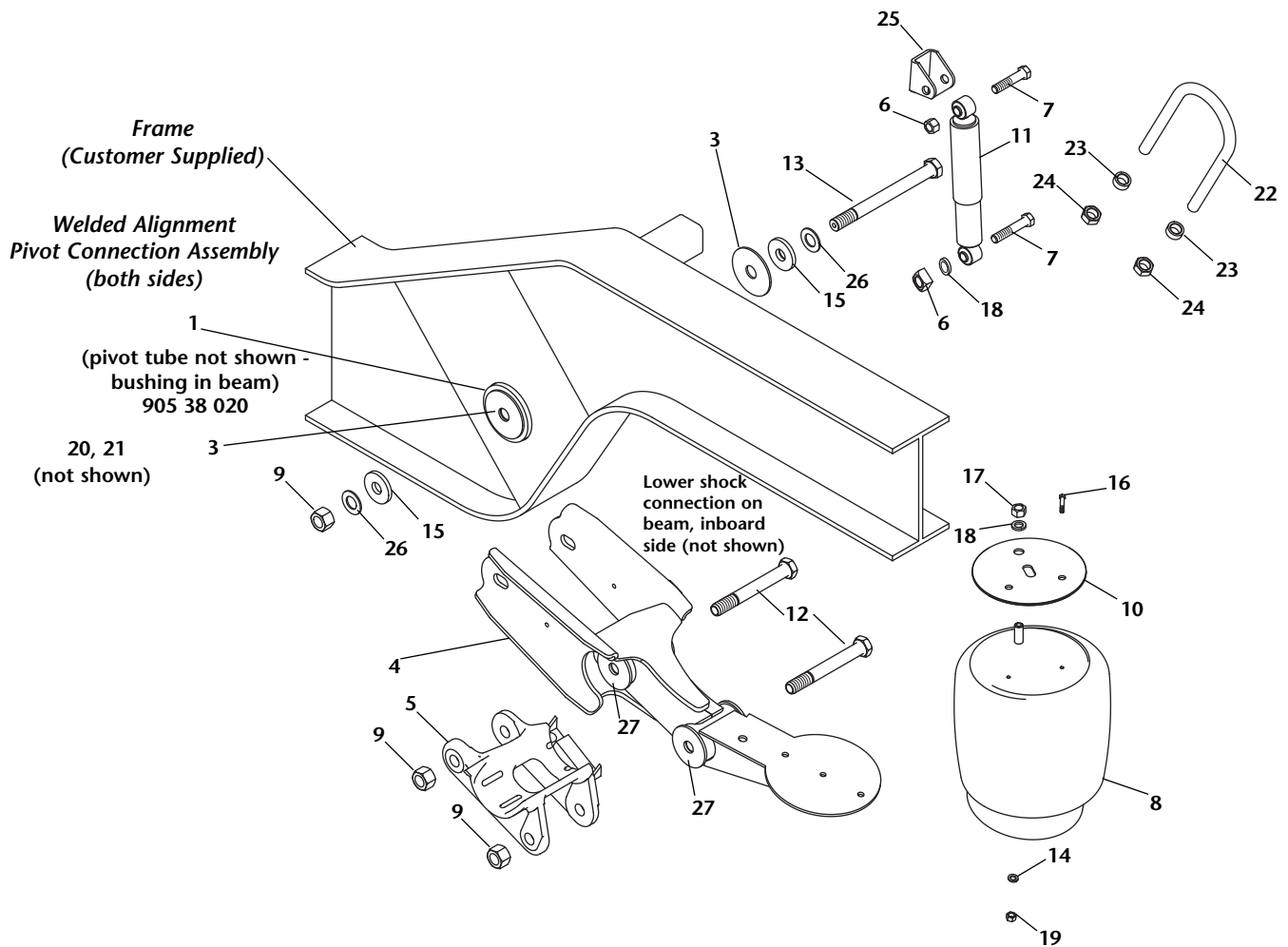
"A" DIM	PART NO.
5.06"	905 21 388
8.25"	905 21 295
11.25"	905 21 389



Air Spring

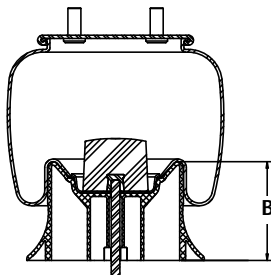
"B" DIM	PART NO.
5.67"	905 57 235
7.57"	905 57 243

RLU-250 FRAME MOUNT (FMT) SUSPENSION EXPLODED VIEW



RLU-250 FRAME MOUNT (FMT) SUSPENSION PARTS LIST

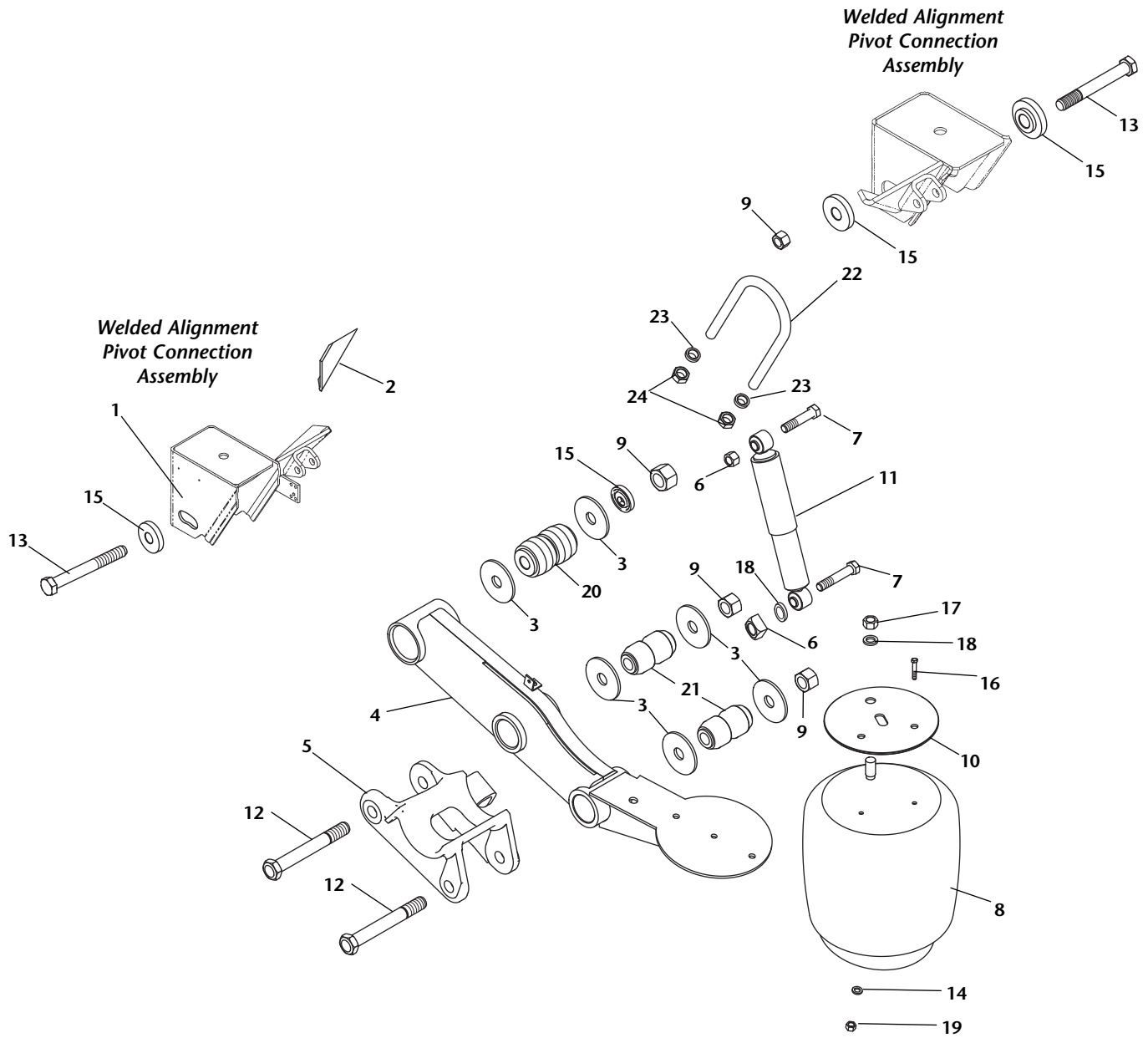
ITEM NO.	DESCRIPTION	RLU-250-6.5-FMT	RLU-250-9-FMT	RLU-250-12-FMT	QTY.
1	Pivot Tube Housing (FMT only), 5.5", 7.0" O.D., 6-5/8" long	90038393	90038393	90038393	2
	Pivot Tube Housing (FMT only), 7.0", 4.5" I.D., 6-5/8" long	90538020	90538020	90538020	2
	Pivot Assembly with rubber bushing (900 08 222) (FMT only) (not shown); 7.0" long	90538019	90538019	90538019	2
3	1-1/8" Spacer Washer	90036177	90036177	90036177	12
4	Equalizing Beam (with adapters - roadside)	90546673	90546673	90546673	1
	Equalizing Beam (roadside)	90516892	90516892	90516892	1
	Equal. Beam (w/ adapters - roadside EZ-Align)	90545675	90545675	90545675	1
	Equalizing Beam (roadside EZ-Align)	90516884	90516884	90516884	1
	Equalizing Beam (with adapters - curbside)	90546674	90546674	90546674	1
	Equalizing Beam (curbside)	90516893	90516893	90516893	1
	Equal. Beam (w/ adapters - curbside EZ-Align)	90546676	90546676	90546676	1
5	Axle Adapter (roadside)	90001299	90001299	90001299	1
	Axle Adapter (curbside)	90001300	90001300	90001300	1
6	3/4"-10 Hex Nut (upper shock lock nut)	93400492	93400492	93400492	4
	3/4"-10 Square Nut (for lower shock bolt)	93400367	93400367	93400367	2
7	3/4"-10x3 1/2" Bolt	93003597	93003597	93003597	4
	3/4"-10x4" Bolt (lower shock bolt)	93003609	93003609	93003609	2
8	Air Spring	90557235	90557235	90557243	2
9	1-1/8" Lock Nut	93400506	93400506	93400506	6
10	Air Spring Mtg Plate (ASMP)	90034268	90034268	90034268	2
11	Shock Absorber	90045381	90045381	90045054	2
	Shock Absorber	-	90044162	-	2
12	1-1/8"-7 Bolt	93201051	93201051	93201051	4
	Alignment Block Assembly EZ-Align	90508016	90508016	90508016	2
13	1-1/8"-7x12" Pivot Bolt	93201064	93201064	93201064	2
14	1/2" Washer	93600072	93600072	93600072	2
15	1-1/8" Washer, Flat	93600515	93600515	93600515	2
16	3/8"-16x1" Hex Bolt	93002571	93002571	93002571	2
17	3/4"-16 Hex Nut (top of air spring)	93400149	93400149	93400149	4
18	3/4" Washer	93600077	93600077	93600077	4
19	1/2" - 13 Hex Nut	93400136	93400136	93400136	2
20	Pivot Bushing	90008139	90008139	90008139	1
21	Axle Bushing	90008149	90008149	90008149	2
22	7/8"-9x11" U-Bolt	90041170	90041170	90041170	4
23	7/8" Flat Washer	93600162	93600162	93600162	4
24	7/8"-9 Hex Lock Nut	93400498	93400498	93400498	4
25	Shock Bracket Upper	90519040	90519040	90519040	2
26	1-1/8" Washer, Flat Narrow	93600174	93600174	93600174	2
27	1-1/8" Wear Washer	93600530	93600530	93600530	4



Air Spring

"B" DIM	PART NO.
6.5"	905 57 235
12.0"	905 57 243

RLU-300 STANDARD SUSPENSION EXPLODED VIEW



RLU-300 STANDARD SUSPENSION PARTS LIST

ITEM NO.	DESCRIPTION	RLU-300-6.5	RLU-300-9	RLU-300-12	QTY.
1	Frame Bracket (roadside - Welded Adjustable)	90521388	90521295	90521655	1
	Frame Bracket (curbside - Welded Adjustable)	90521390	9052196	90521656	1
2	Angle Brace	90023002	90023002	90023002	4
	Angle Brace	90025873	90025873	90025873	4
3	1-1/8" Spacer Washer	90036177	90036177	90036177	12
4	Equalizing Beam (with adapters - roadside)	90547853	90547853	90546795	1
	Equalizing Beam (roadside)	90517034	90517034	90516873	1
	Equalizing Beam (with adapters - curbside)	90547854	90547854	90547854	1
	Equalizing Beam (curbside)	90517035	90517035	90517035	1
5	Axle Adapter (roadside)	90501379	90501379	90501379	1
	Axle Adapter (curbside)	90501380	90501380	90501380	1
6	3/4"-10 Hex Nut (upper shock lock nut)	93400492	93400492	93400492	4
	3/4"-10 Square Nut (for lower shock bolt)	93400367	93400367	93400367	2
7	3/4"-10x3 1/2" Bolt	93003597	93003597	93003597	4
	3/4"-10x4" Bolt (lower shock bolt - Short Beam)	93003609	93003609	93003609	2
8	Air Spring	90557111	90557111	90557185	2
9	1-1/8" Lock Nut	93400506	93400506	93400506	6
10	Air Spring Mtg Plate (ASMP)	90033785	90033785	90033785	2
11	Shock Absorber	90045471	90045337	90045444	2
12	1-1/8"-7 Bolt	93201051	93201051	93201051	4
13	1-1/8"-7x9.5" Pivot Bolt (Welded Alignment)	93201055	93201055	93201055	2
14	1/2" Washer	93600072	93600072	93600072	2
15	Alignment Block (Welded Alignment)	90008147	90008198	90008198	4
16	1/2"-13x1" Bolt	93002893	93002893	93002893	4
17	3/4"-16 Hex Nut (top of air spring)	93400149	93400149	93400149	2
18	3/4" Washer	93600077	93600077	93600077	4
19	1/2"-13 Nut	93400136	93400136	93400136	2
20*	Pivot Bushing	90008139	90008139	90008139	1
21*	Axle Bushing	90008149	90008149	90008149	2
22	7/9"-9x11" U-Bolt	90041170	90041170	90041170	2
23	7/8" Flat Washer	93600162	93600162	93600162	4
24	7/8"-9 Hex Lock Nut	93400498	93400498	93400498	4

* Replacement components should be purchased in bushing connection SRK kits listed below.

SRK-524 - Pivot

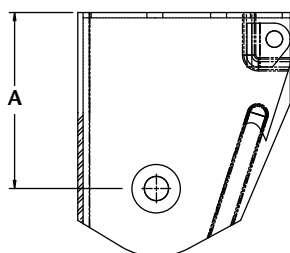
481 00 388

DESCRIPTION	PART NO.	QTY
Bushing	900 08 139	2
Washer Flat 1.141"	900 36 177	4
Bolt Hex 1.125"-7 x 8.5" GR 8	932 01 069	2
Nut Hex Lock 1.125"-7 GR C	934 00 506	2
Literature Instructions	XL-AR453	1

SRK-149 - Axle

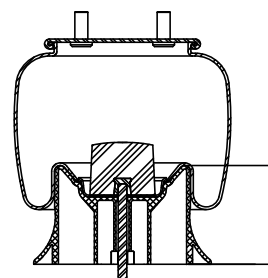
481 00 206

DESCRIPTION	PART NO.	QTY
Bolt Hex 1.125"-7 x 8.5" GR 8	932 01 051	4
Nut Hex Lock 1.125"-7 GR C	934 00 506	4
Bushing	900 08 149	4
Washer Spacer	900 36 175	8
Washer Flat 1.141"	900 36 177	8
Literature Instruction	941 00 509	1



Frame Bracket

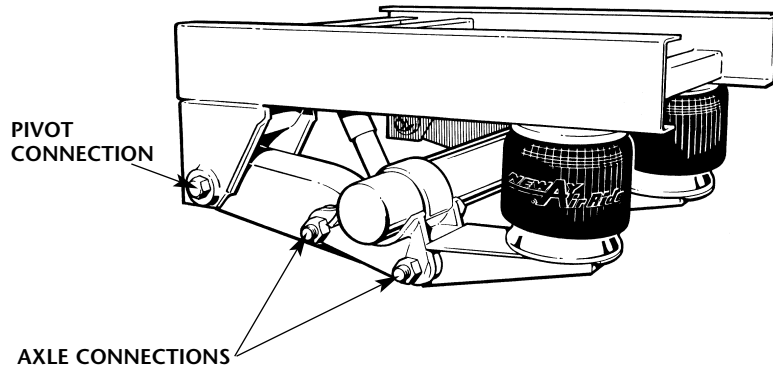
"A" DIM	PART NO.
5.06"	905 21 388
8.25"	905 21 295
10.59"	905 21 655



Air Spring

"B" DIM	PART NO.
5.50"	905 57 111
7.00"	905 57 185

RLU SUSPENSION SERVICE REPAIR KITS (SRKs)



When servicing your RLU Series suspension, use the convenient service repair kits noted below.

Descriptions are found below and below the parts list for each suspension.

PIVOT CONNECTION:

One (1) SRK Required per axle.

PIVOT AND AXLE CONNECTION SERVICE REPAIR KIT CHART

Model RLU-228 Pivot Connection - EZ and Welded Alignments

Bolt Type 1055 / 1069	Description	SRK	Holland Part No.
1055	Bolts, Nuts, and Bushings	SRK-145	481 00 202
1055	1 EZ-Alignment / 1 Welded Alignment	SRK-520	481 00 384
	2 EZ-Alignment	SRK-521	481 00 385
1069	1 EZ-Alignment / 1 Welded Alignment	SRK-525	481 00 389
1069	2 Welded Alignment	SRK-456	481 00 319

Model RLU-228 Axle Connection

Bolt Type	Description	SRK	Holland Part No.
1051	1-Piece Adapter	SRK-149	481 00 206

NOTE: Bushing connection kits should be purchased as SRKs listed here

Model RLU-250 Pivot Connection - EZ and Welded Alignments

Bolt Type 1055 / 1069	Description	SRK	Holland Part No.
1069	2 Welded Alignment	SRK-524	481 00 388
1069	1 EZ-Alignment / 1 Welded Alignment	SRK-519	481 00 383
	2 EZ-Alignment	SRK-522	481 00 386
1055	1 EZ-Alignment / 1 Welded Alignment	SRK-523	481 00 387

Model RLU-250 Axle Connection - 1-Piece Adapter

Bolt Type	Description	SRK	Holland Part No.
1051	1-Piece Adapter	SRK-149	481 00 206

Model RLU-300 Pivot Connection - Welded Alignments

Bolt Type 1055 / 1069	Description	SRK	Holland Part No.
1069	2 Welded Alignment	SRK-524	481 00 388

Model RLU-300 Axle Connection - 1-Piece Adapter

Bolt Type	Description	SRK	Holland Part No.
1051	1-Piece Adapter	SRK-149	481 00 206

RLU SUSPENSION SERVICE REPAIR KITS (SRKs) *continued*

RLU PIVOT AND AXLE CONNECTION REPLACEMENT KIT CHARTS

SRK-145 - Pivot

481 00 202

DESCRIPTION	PART NO.	QTY
Bolt Hex 1.125"-7 x 9.5" GR 8	932 01 055	2
Nut Hex Lock 1.125"-7 GR C	934 00 506	2
Bushing	900 08 139	2
Washer Flat 1.141"	900 36 177	4
Pivot Connection Instructions	XL-AK406	1
Decal, Torque Specifications	XL-AR355	1

SRK-149 - Axle

481 00 206

DESCRIPTION	PART NO.	QTY
Bolt Hex 1.125"-7 x 8.5" GR 8	932 01 051	4
Nut Hex Lock 1.125"-7 GR C	934 00 506	4
Bushing	900 08 149	4
Washer Spacer	900 36 175	8
Washer Flat 1.141"	900 36 177	8
Literature Instruction	XL-AR453	1

SRK-232 - Pivot

481 00 294

DESCRIPTION	PART NO.	QTY
Bushing	900 08 139	1
Washer Flat 1.141"	900 36 177	2
Alignment Block	905 08 019	1
Alignment Block Non Weld	900 08 238	1
Nut Hex Lock 1.125"-7 GR C	934 00 506	1
Literature Instructions	XL-AR453	1

SRK-519 - Pivot

481 00 383

DESCRIPTION	PART NO.	QTY
Bolt Hex 1.12"-7 x 8.5" GR 8	932 01 069	1
Nut Hex Lock 1.125"-7 GR C	934 00 506	2
Bushing	900 08 139	2
Washer Flat 1.141"	900 36 177	4
Alignment Block	905 08 019	1
Alignment Block Non Weld	900 08 238	1
Welded Axle Alignment Ins; EZ-Align Axle Alignment Ins.	XL-AR354	1
Decal, Torque Specification	XL-AR355	1

SRK-522 - Pivot

481 00 386

DESCRIPTION	PART NO.	QTY
Bushing	900 08 139	2
Washer Flat 1.141"	900 36 177	4
Alignment Block	905 08 019	2
Alignment Block Non Weld	900 08 238	2
Nut Hex Lock 1.125"-7 GR C	934 00 506	2
Welded Axle Alignment Ins; EZ-Align Axle Alignment Ins.	XL-AR354	1
Decal, Torque Specification	XL-AR355	1

SRK-523 - Pivot

481 00 387

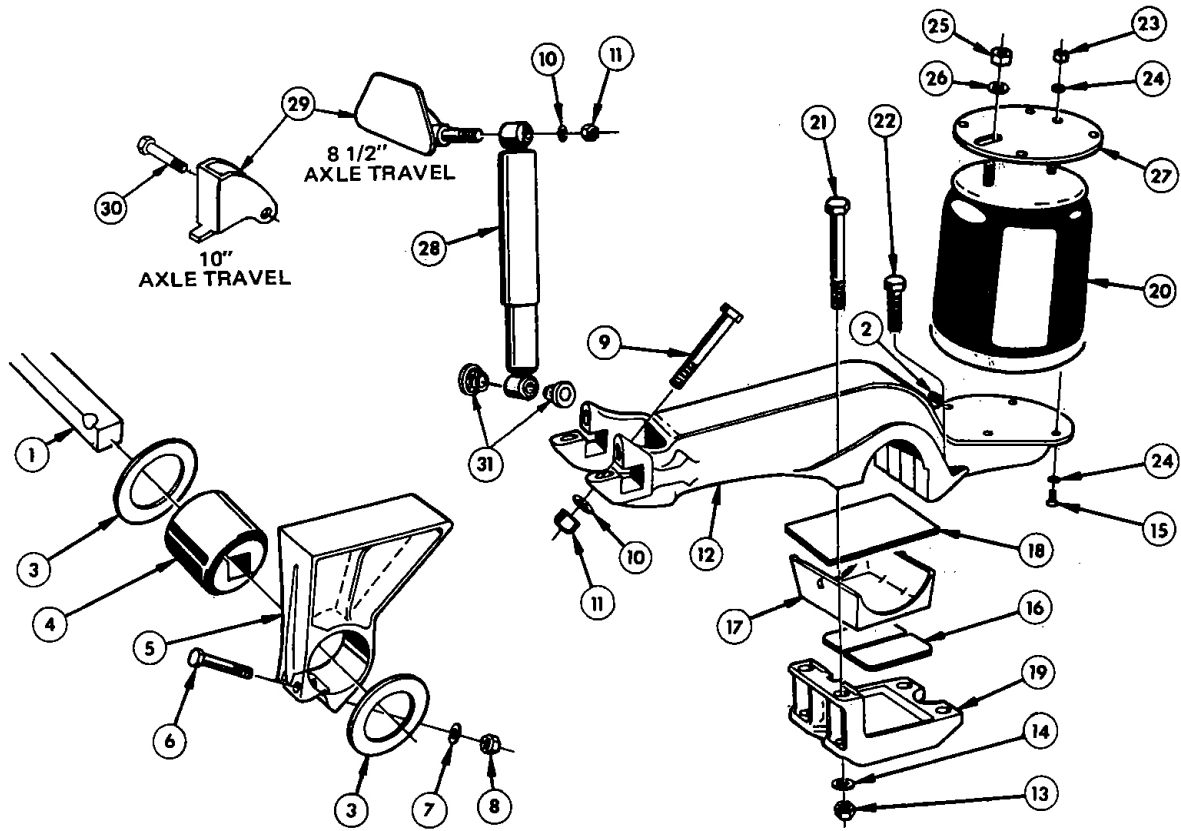
DESCRIPTION	PART NO.	QTY
Bushing	900 08 139	2
Washer Flat 1.141"	900 36 177	4
Alignment Block	905 08 019	1
Alignment Block Non Weld	900 08 238	1
Nut Hex Lock 1.125"-7 GR C	934 00 506	2
Bolt Hex 1.125"-7 x 9.5" GR 8	932 01 055	1
Welded Axle Alignment Ins; EZ-Align Axle Alignment Ins.	XL-AR354	1
Decal, Torque Specification	XL-AR355	1

SRK-524 - Pivot

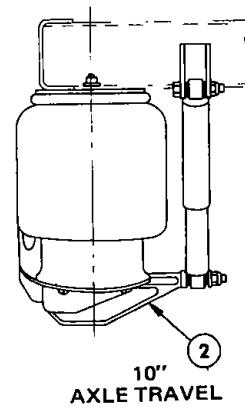
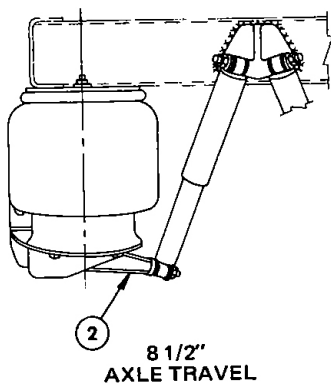
481 00 388

DESCRIPTION	PART NO.	QTY
Bushing	900 08 139	2
Washer Flat 1.141"	900 36 177	4
Bolt Hex 1.12"-7 x 8.5" GR 8	932 01 069	2
Nut Hex Lock 1.125"-7 GR C	934 00 506	2
Literature Instructions	XL-AR453	1

AR-120, AR-120-L, AR-125, AR125-L EXPLODED VIEW



NOTE: For 15" wheel axle connection parts, with cam on horizontal centerline, refer to page 3-119.



SERVICE PARTS ONLY

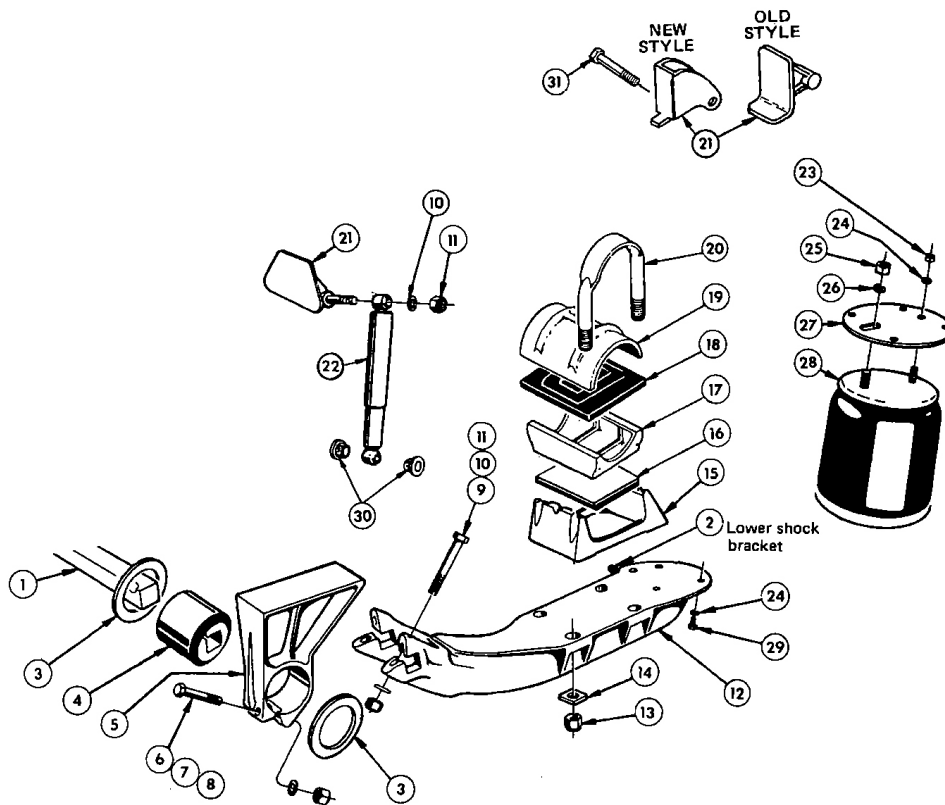
Please contact Customer Service for part availability
888.396.6501

AR-120, AR-120-L, AR-125, AR125-L PARTS LIST

ITEM	PART NO.	DESCRIPTION	QTY REQD	MODEL
1*	900 06 003	Torsion Bar 42 7/8 (Other Lengths Available)	1	All
2	905 18 008	Lower Shock Mounting Bracket	2	AR-120, AR-125
	905 18 009	Lower Shock Mounting Bracket	2	AR-120-L, AR-125-L
3	936 00 035	Spacer Washer 3 17/32 x 5 1/2 x 1/4"	4	All
4	905 08 001	Rubber Bushing	2	All
5	900 18 010	Frame Bracket	2	All
6	930 03 395	Cap Screw 5/8-11 x4" Gr8	4	All
7	936 00 150	Washer 5/8 HT	4	All
8	934 00 490	Lock Nut 5/8-11 GrC	4	All
9	930 03 633	Cap Screw 3/4-10 x5" Gr5	4	All
10	936 00 156	Washer 3/4 HT	8	All
11	934 00 492	Lock Nut 3/4-10 GrB	8	All
12	905 15 009	Equalizing Beam LH (Includes Item #2)	1	All
	905 15 010	Equalizing Beam RH (Includes Item #2)	1	All
13	934 00 496	Lock Nut 7/7-9 GrB	8	All
14	936 00 162	Washer 7/8 HT	8	All
15	930 02 893	Hex Cap Screw 1/2-13 x 1" Gr2	8	All
16	900 28 083	Rubber Pad	2	All
17	900 01 082	Axle Adapter	2	All
18	900 28 007	Rubber Wrapper	2	All
19	900 10 001	Axle Cap	2	All
20	905 57 027	Air Spring Assembly	2	AR-120
	905 57 009	Air Spring Assembly	2	AR-120-L
	905 57 078	Air Spring Assembly	2	AR-125
	905 57 077	Air Spring Assembly	2	AR-125-L
21	939 00 178	Rod Bolt 7/8-9 x 6" Gr5	4	All
22	932 00 754	Rod Bolt 7/8-9 x 2 3/4" Gr5	4	All
23	934 00 136	Hex Nut 1/2-13 GrB	8	All
24	936 00 072	Lock Washer	16	All
25	934 00 149	Hex Nut 3/4-16 GrB	2	All
26	936 00 077	Lock Washer 3/4	2	All
27	900 33 785	Air Spring Mounting Plate	2	All
28	900 44 626	Shock Absorber	2	All
29	905 18 011	Upper Shock Mounting Bracket	1	AR-120, AR-125
	905 18 301	Upper Shock Mounting Bracket	2	AR-120-L, AR-125-L
30	930 03 597	Cap Screw 3/4-10 x 3 1/2" Gr5	2	AR-120-L, AR-125-L
31	905 08 004	Replacement Shock Bushing	8	All
Service Repair Kits				
	481 00 022	SRK-11 - Pivot Connection (Includes Torsion Bar)	1	All
	481 00 132	SRK-11A - Pivot Connection (Less Torsion Bar)	1	All
	481 00 016	SRK-15 - Axle Connection (5" Round)	1	All

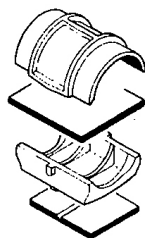
* Torsion Bar Length = Beam Centers + 7 7/8"

AR-120-US, AR-120-US-L, AR125-US, AR-125-US-L EXPLODED VIEW

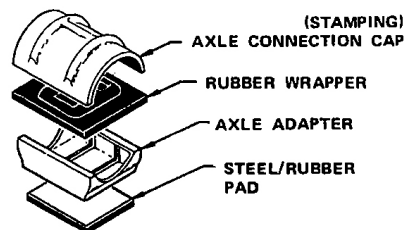


NOTE: For 15" wheel axle connection parts, with cam on horizontal centerline, refer to page 3-119.

OLD STYLE



NEW STYLE



SERVICE PARTS ONLY

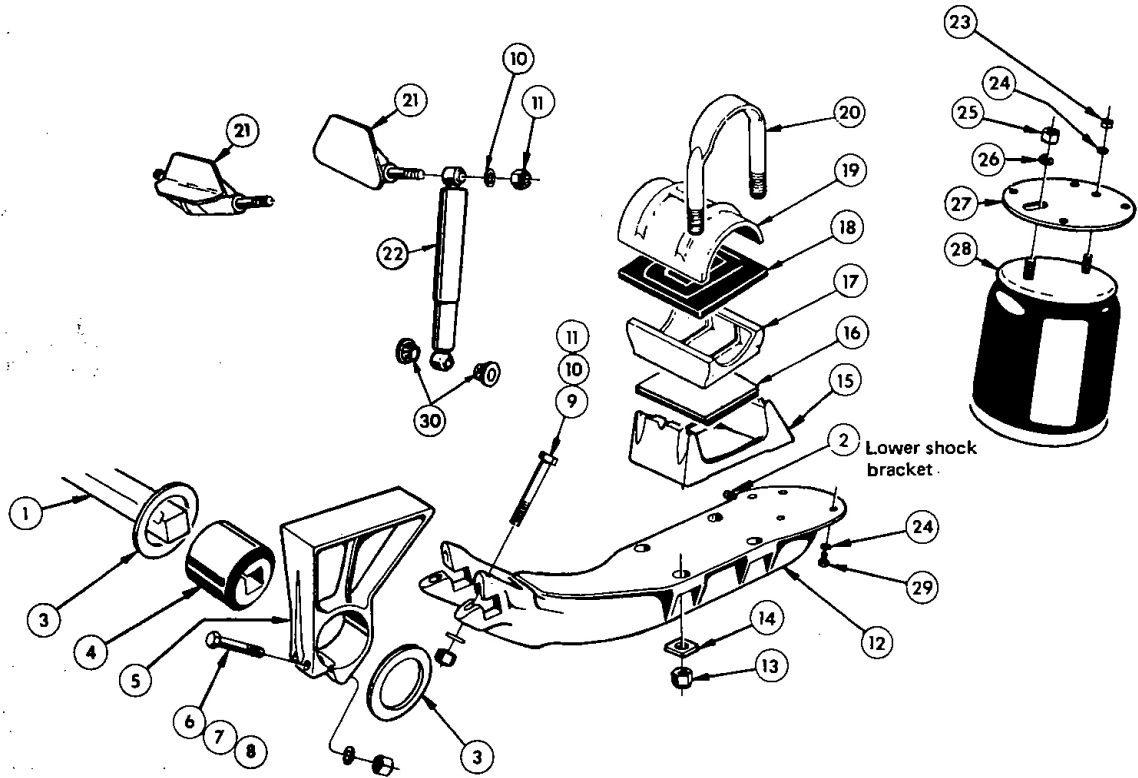
Please contact Customer Service for part availability
888.396.6501

AR-120-US, AR-120-US-L, AR125-US, AR-125-US-L PARTS LIST

ITEM	PART NO.	DESCRIPTION	QTY REQD	MODEL
1*	900 06 003	Torsion Bar 42 7/8 (Other Lengths Available)	1	All
2	905 18 008	Lower Shock Mounting Bracket	2	AR-120/125-US
	905 18 027	Lower Shock Mounting Bracket	2	AR-120/125-US-L-1,-2,-3
3	936 00 035	Spacer Washer 3 17/32 x 5 1/2 x 1/4"	4	All
4	905 08 001	Rubber Bushing	2	All
5	900 18 010	Frame Bracket	2	AR-120/125-US
	900 18 011	Frame Bracket	2	AR-120/125-US-L-1,-2,-3
6	930 03 389	Cap Screw 5/8-11 x 3 3/4" Gr8	4	All
7	936 00 150	Washer 5/8 HT	4	All
8	934 00 490	Lock Nut 5/8-11 GrC	4	All
9	930 03 633	Cap Screw 3/4-10 x5" Gr5	4	All
10	936 00 156	Washer 3/4 HT	8	All
11	934 00 492	Lock Nut 3/4-10 GrB	8	All
12	905 15 026	Equalizing Beam LH (Includes Item #2)	1	AR-120/125-US
	905 15 021	Equalizing Beam LH (Includes Item #2)	1	AR-120/125-US-L-1,-2,-3
	905 15 027	Equalizing Beam RH (Includes Item #2)	1	AR-120/125-US
	905 15 022	Equalizing Beam RH (Includes Item #2)	1	AR-120/125-US-L-1,-2,-3
13	934 00 502	Lock Nut 1-8 Grc	8	All
14	936 00 028	Washer 1Sq	8	All
15	900 01 006	Axle Beam Seat 3 1/2 High	2	AR-120/125-US, -L-3
	900 01 119	Axle Beam Seat HD	2	AR-120/125-US
	900 01 007	Axle Beam Seat 5 1/4 High	2	AR-120/125-US-L-2
	900 01 008	Axle Beam Seat 6 1/2 High	2	AR-120/125-US-L-1
16	900 28 083	Steel Rubber Pad (New Style)	2	All
	900 28 016	Rubber Pad (Old Style)	2	All
17	900 01 082	Axle Adapter (New Style)	2	All
18	900 28 047	Rubber Wrapper (New Style)	2	All
	900 28 007	Rubber Wrapper (Old Style)	2	All
19	900 10 032	Axle Cap (New Style)	2	All
20	900 41 878	U-Bolt 1-8 x9 Gr8 5 Rd Axle	4	AR-120/125-US, -L-3
	900 41 886	U-Bolt 1-8 x 11 5 Rd Axle	4	AR-120/125-US-L-2
	900 42 792	U-Bolt 1-8 x 12 1/2 5 Rd Axle	4	AR-120/125-US-L-1
21	905 18 011	Upper Shock Mounting Bracket	1	AR-120/125-US
	900 18 301	Upper Shock Mounting Bracket	2	AR-120/125-US-L-1,-2,-3
22	900 44 626	Shock Absorber	2	AR-120/125-US
	900 44 625	Shock Absorber	2	AR-120/125-US-L-1,-2,-3
23	934 00 136	Hex But 1/2-13 GrB	8	All
24	936 00 072	Lock Washer 1/2	16	All
25	934 00 149	Hex But 3/4 - 16 GrB	2	All
26	936 00 077	Lock Washer 3/4	2	All
27	900 33 785	Air Spring Mounting Plate	2	All
28	905 57 027	Air Spring Assembly	2	AR-120-US
	905 57 078	Air Spring Assembly	2	AR-125-US
	905 57 009	Air Spring Assembly	2	AR-120-US-L-1,-2,-3
	905 57 077	Air Spring Assembly	2	AR-125-US-L-1,-2,-3
29	930 02 893	Cap Screw 1/2-13 x 1" Gr2	8	All
30	905 08 004	Replacement Shock Bushing	8	All
31	930 03 597	Cap Screw 3/4 - 10 x 3 1/2" GrB	2	AR-120/125-US-L-1,-2,-3
Service Repair Kits				
	481 00 008	SRK-4 - Axle Connection (5" Round: Old Style)	1	AR-120/AR-125-US, AR-120/AR-125-US-L-3
	481 00 022	SRK-11 - Pivot Connection (Includes Torsion Bar)	1	All
	481 00 132	SRK-11A -Pivot Connection (Less Torsion Bar)	1	All
	481 00 108	SRK-64 - Axle Connection (5" Round: New Style)	1	AR-120/AR-125-US, AR-120/AR-125-US-L-3
	481 00 110	SRK-66 - Axle Connection (5" Round: New Style)	1	AR-120/AR-125-US-L-2
	481 00 112	SRK-68 - Axle Connection (5" Square: New Style)	1	AR-120/AR-125-US, AR-120/AR-125-US-L-3
	481 00 181	SRK-128 - Axle Connection (5" Round: New Style)	1	AR-120/AR-125-US-L-1

* Torsion Bar Length = Beam Centers + 7 7/8"

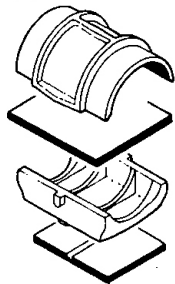
AR-120-US-F, AR-125-US-F EXPLODED VIEW



NOTE: For 15" wheel axle connection parts, with cam on horizontal centerline, refer to page 3-119.

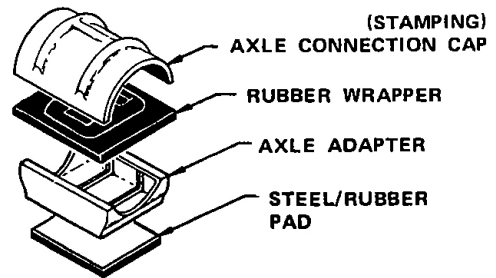
OLD STYLE

5" Rd. & 5" Sq.



NEW STYLE

5" Rd. (all parts) & 5" Sq. (axle adapter & pad)



SERVICE PARTS ONLY

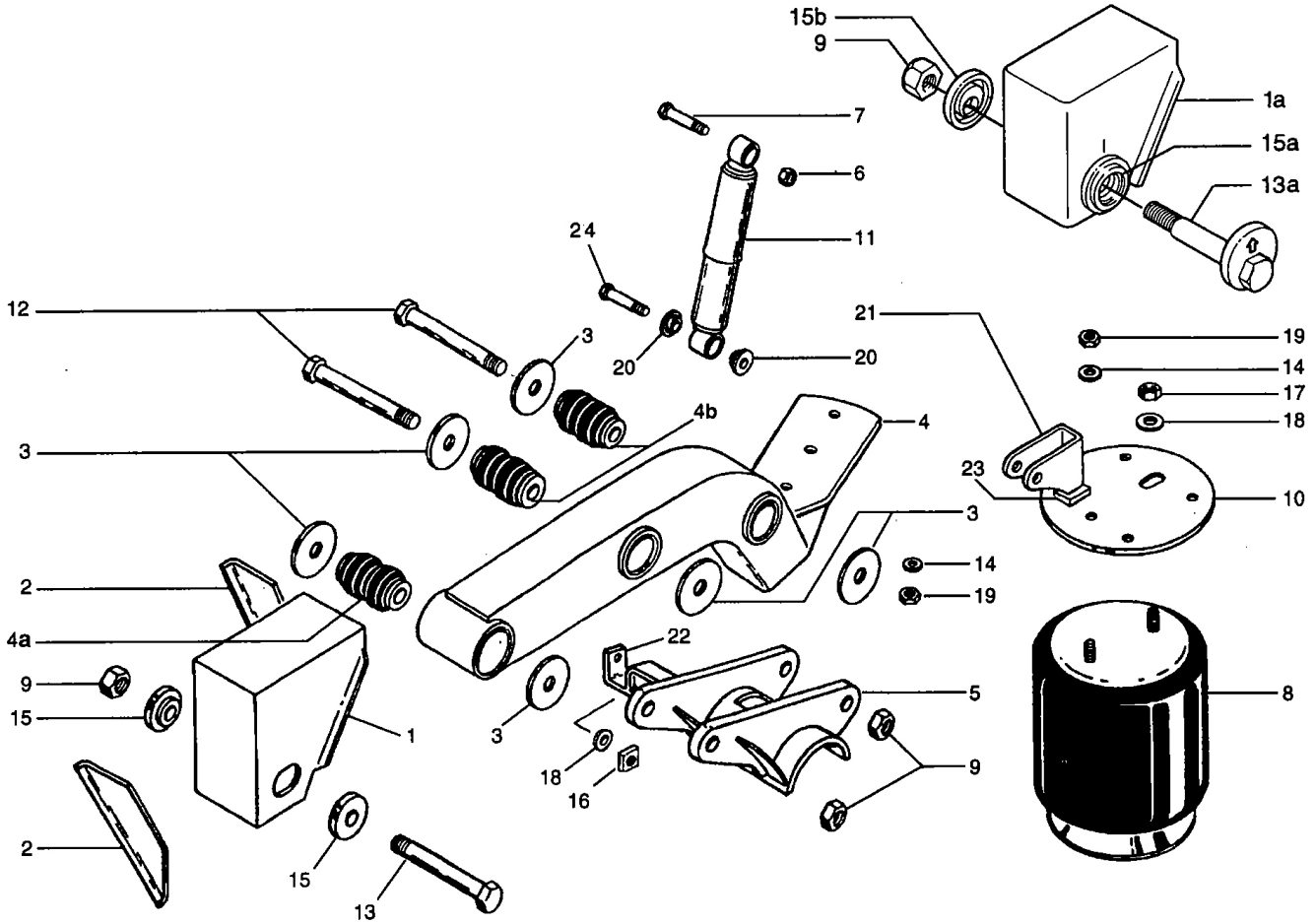
Please contact Customer Service for part availability
888.396.6501

AR-120-US-F, AR-125-US-F PARTS LIST

ITEM	PART NO.	DESCRIPTION	QTY REQD	MODEL
1*	900 06 003	Torsion Bar 42 7/8 (Other Lengths Available)	1	All
2	905 18 008	Lower Shock Mounting Bracket	2	All
3	936 00 035	Spacer Washer 3 17/32 x 5 1/2 x 1/4"	4	All
4	905 08 001	Rubber Bushing	2	All
5	900 18 010	Frame Bracket	2	All
6	930 03 389	Cap Screw 5/8-11 x3-3/4" Gr8	4	All
7	936 00 150	Washer 5/8 HT	4	All
8	934 00 490	Lock Nut 5/8-11 GrC	4	All
9	930 03 633	Cap Screw 3/4-10 x5" Gr5	4	All
10	936 00 156	Washer 3/4 HT	8	All
11	934 00 492	Lock Nut 3/4-10 GrB	8	All
12	905 15 610	Equalizing Beam LH (Includes Item #2)	1	All
	905 15 611	Equalizing Beam RH (Includes Item #2)	1	All
13	934 00 502	Lock Nut 1-8 GrC	8	All
14	936 00 028	Square Washer 1	8	All
15	900 01 006	Axle Beam Seat 3-1/2" High	2	All
16	900 28 083	Steel Rubber Pad (New Style)	2	All
	900 28 016	Rubber Pad (Old Style)	2	All
17	900 01 082	Axle Adapter (New Style)	2	All
18	900 28 047	Rubber Wrapper (New Style)	2	All
	900 28 007	Rubber Wrapper (Old Style)	2	All
19	900 10 032	Axle Cap (New Style)	2	All
20	900 41 878	U-Bolt 1-8 x 9 Gr8	4	All
21	905 18 011	Upper Shock Mounting Bracket	1	All
22	900 44 626	Shock Absorber	2	All
23	934 00 136	Hex Nut 1/2 - 13 GrB	8	All
24	936 00 072	Lock Washer 1/2	16	All
25	934 00 149	Hex Nut 3/4-16 GrB	2	All
26	936 00 077	Lock Washer 3/4	2	All
27	900 33 785	Air Spring Mounting Plate	2	All
28	905 57 027	Air Spring Assembly	2	AR-120-US-F
	905 57 078	Air Spring Assembly	2	AR-125-US-F
29	930 02 893	Cap Screw 1/2 - 13 x 1" Gr2	8	All
30	905 08 004	Replacement Shock Bushing	8	All
Service Repair Kits				
	481 00 008	SRK-4 - Axle Connection (5" Round: Old Style)	1	All
	481 00 022	SRK-11 - Pivot Connection (Includes Torsion Bar)	1	All
	481 00 132	SRK-11A - Pivot Connection (Less Torsion Bar)	1	All
	481 00 108	SRK-64 - Axle Connection (5" Round: New Style)	1	All
	481 00 112	SRK-66 - Axle Connection (5" Square: New Style)	1	All

* Torsion Bar Length = Beam Centers + 7 7/8"

AR-250-12, -14, -15, -16, -17 EXPLODED VIEW



SERVICE PARTS ONLY

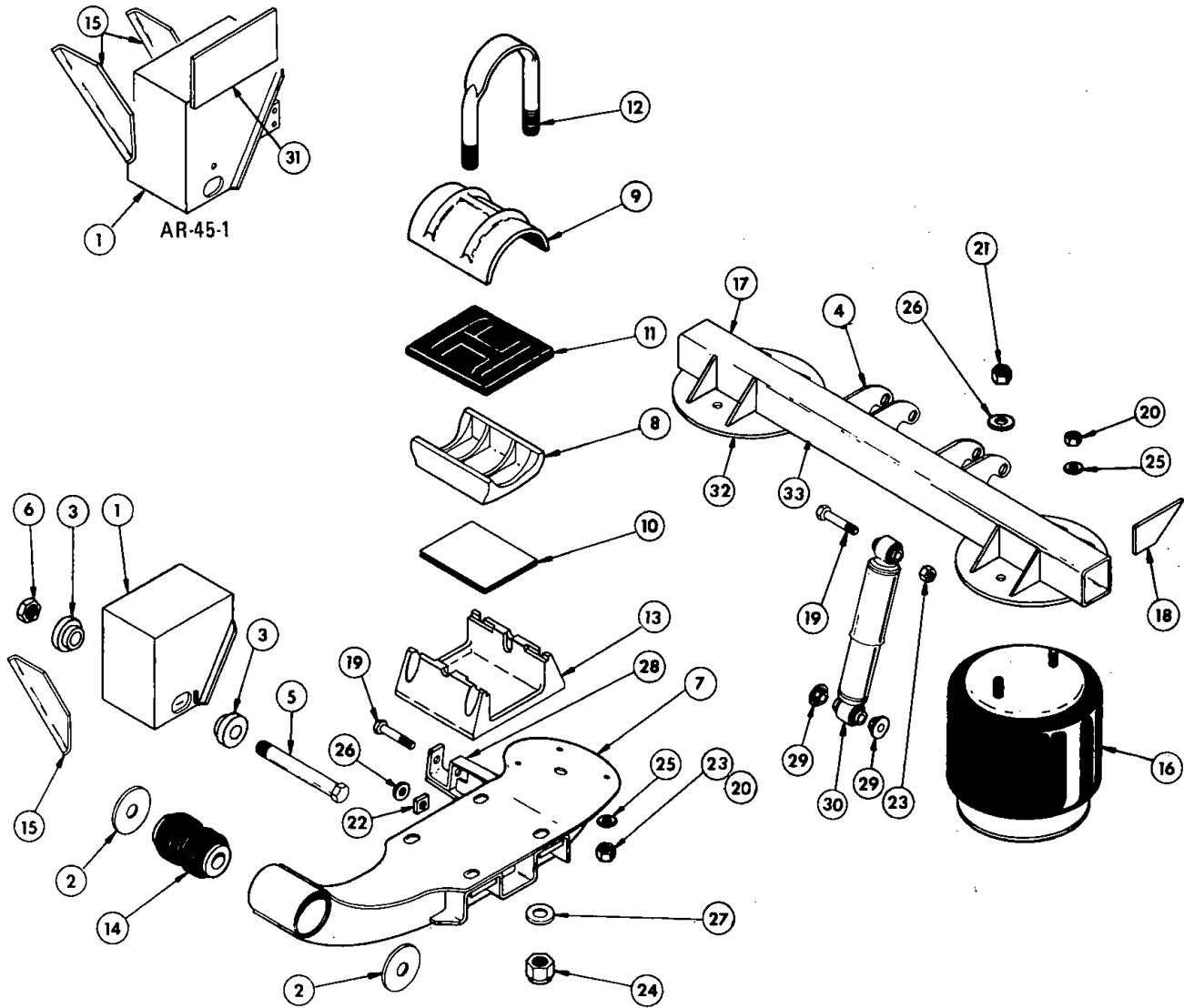
Please contact Customer Service for part availability
888.396.6501

AR-250-12, -14, -15, -16, -17 PARTS EXPLOSION

ITEM	PART NO.	DESCRIPTION	QTY REQD	RIDE HEIGHT
1	905 20 383	Adjustable Frame Bracket	2*	12
	905 19 710	Adjustable Frame Bracket	2*	14,15
	905 20 828	Adjustable Frame Bracket	2*	16,17
1a	905 20 636	Non-Weld (EZ-ALIGN) Frame Bracket (Includes Item #15a)	1	14,15
	905 20 839	Non-Weld (EZ-ALIGN) Frame Bracket (Includes Item #15a)	1	16,17
2	900 23 002	Angle Brace	4	12,14,15
	900 23 001	Angle Brace	4	16,17
3	900 36 177	Spacer Washer	12	All
4	905 16 587	Equalizing Beam LH (Includes Item #4a, 4b)	1	All
	905 16 588	Equalizing Beam RH (Includes Item #4a, 4b)	1	All
4a	900 08 139	Rubber Bushing (Front Pivot)	2	All
4b	900 08 149	Rubber Bushing (Axle Connection)	4	All
5	905 01 289	Axle Adapter LH	1	All
	905 01 290	Axle Adapter RH	1	All
6	934 00 492	Lock Nut 3/4 - 10 GrB	2	All
7	930 03 597	Cap Screw 3/4 - 10 x 3 1/2" Gr5	2	All
8	905 57 168	Air Spring Assembly	2	12,16,17
	905 57 167	Air Spring Assembly	2	14,15
9	934 00 506	Lock Nut 1-1/8" -7	6	All
10	900 33 785	Air Spring Mounting Plate	2	All
11	900 45 054	Shock Absorber	2	12
	900 44 642	Shock Absorber	2	14,15
	900 44 089	Shock Absorber	2	16,17
12	932 01 051	Cap Screw 1-1/8 - 7 x 8-1/2"	4	All
13	932 01 055	Cap Screw 1 -1/8 - 7 x 9 1/4"	2*	All
13a	905 08 009	Cap Screw 1 -1/8 - 7 x 9 1/4" (Non-Weld Application)	1	All
14	936 00 072	Lock Washer 1/2"	4	All
15	900 08 147	Alignment Bushing	4*	All
15a	900 08 185	Alignment Bushing (Non-Weld Application)	2	All
15b	900 08 186	Alignment Bushing (Non-Weld Application)	1	All
16	934 00 367	Square Nut 3/4 - 10 Gr2	2	All
17	934 00 149	Hex Nut 3/4 - 16	2	All
18	936 00 077	Lock Washer 3/4"	4	All
19	934 00 136	Hex Nut 1/2 - 13	4	All
20	905 08 004	Replacement Shock Bushing	8	All
21	900 18 515	Upper Shock Bracket	2	All
22	905 19 773	Lower Shock Bracket	2	All
23	900 33 019	Plate	2	All
24	930 03 609	Cap Screw 3/4-10 x 4" Gr5	2	All
Service Repair Kits				
	481 00 202	SRK-145 - Pivot Connection	1	All
	481 00 206	SRK-149 - Axle Connection (5" Round, 20" wheel)	1	All
	481 00 294	SRK-232 - Pivot Connection, Non-Weld (EZ-ALIGN)	1	All

* For Non-Weld application reduce Quantity Required by half.

AR-41, AR-45, AR-45-1 EXPLODED VIEW



NOTE: For 15" wheel axle connection parts, with cam on horizontal centerline, refer to page 3-119.

SERVICE PARTS ONLY

Please contact Customer Service for part availability
888.396.6501

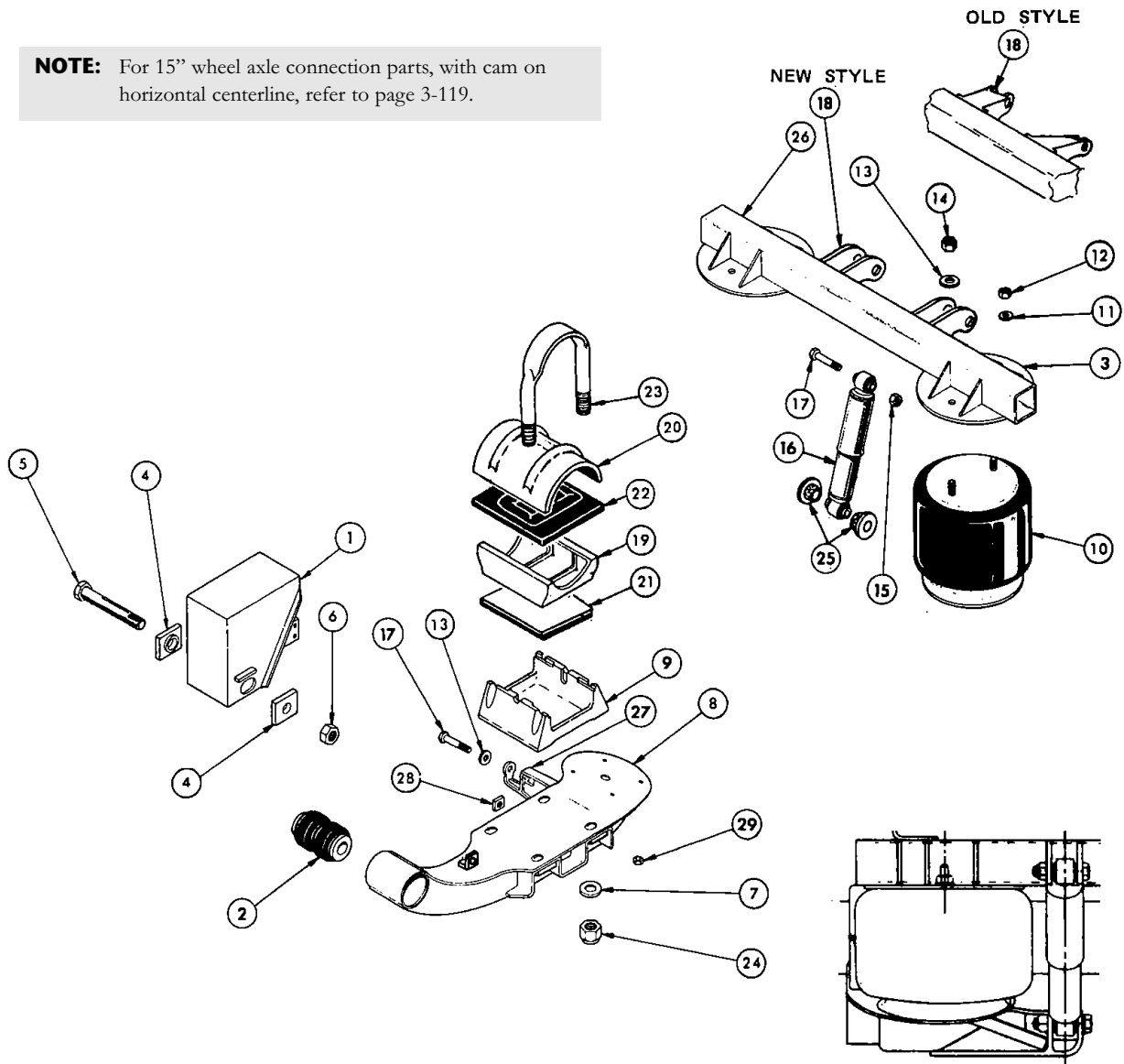
AR-41, AR-45, AR-45-1 PARTS LIST

ITEM	PART NO.	DESCRIPTION	QTY REQD	MODEL
1	905 20 189	Frame Bracket Adjustable	2	AR-41
	905 20 153	Frame Bracket LH Adjustable	1	AR-45
	905 19 714	Frame Bracket LH Adjustable	1	AR-45-1
	905 20 152	Frame Bracket RH Adjustable	1	AR-45
	905 20 151	Frame Bracket RH Adjustable	1	AR-45-1
2	900 36 177	Spacer Washer	4	All
3	900 08 147	Alignment Bushing	4	All
4	900 32 561	Upper Shock Mounting Bracket	4	All
5	932 01 055	Cap Screw 1 -1/8 - 7 x 9 1/4"	2	All
6	934 00 506	Lock Nut 1-1/8" -7 GrC	2	All
7	905 16 054	Equalizing Beam LH (Includes Item #13, 14, 28)	1	AR-41
	905 15 857	Equalizing Beam LH (Includes Item #13, 14, 28)	1	AR-45, AR-45-1
	905 16 055	Equalizing Beam RH (Includes Item #13, 14, 28)	1	AR-41
	905 15 858	Equalizing Beam RH (Includes Item #13, 14, 28)	1	AR-45, AR-45-1
8	900 01 082	Axle Adapter	2	All
9	900 10 032	Axle Cap	2	All
10	900 28 083	Steel/Rubber Pad	2	All
11	900 28 047	Rubber Wrapper	2	All
12	900 41 878	U-Bolt 1-8 x 9 Gr8 5 Rd	4	All
13	900 01 006	Beam Seat	2	All
14	900 08 139	Rubber Bushing	2	All
15	900 23 002	Angle Brace	2	AR-41, AR-45
	900 23 003	Angle Brace	4	AR-45-1
16	905 57 023	Air Spring Assembly (Aluminum Piston)	2	All
	905 57 129	Air Spring Assembly (Composite Piston)	2	All
17	905 44 615	Crossmember Assembly (Includes Item #4, 32, 33)	1	AR-41
	905 44 573	Crossmember Assembly (Includes Item #4, 32, 33)	1	AR-45, AR-45-1
18	900 31 443	Gusset	2	All
19	930 03 597	Cap Screw 3/4 - 10 x 3 1/2" Gr5	4	AR-41
	930 03 597	Cap Screw 3/4 - 10 x 3 1/2" Gr5 (Upper Shock Bracket)	2	AR-45, AR-45-1
	930 03 609	Cap Screw 3/4 - 10 x 4" (Lower Shock Bracket)	2	AR-45, AR-45-1
20	934 00 136	Hex Nut 1/2 - 13 GrB (905 57 023 Air Spring)	2	All
	934 00 136	Hex Nut 1/2 - 13 GrB (905 57 129 Air Spring)	4	All
21	934 00 149	Hex Nut 3/4 - 16 GrB	2	All
22	934 00 367	Square Nut 3/4 - 10 GrA	2	All
23	934 00 492	Lock Nut 3/4 - 10 (905 57 023 Air Spring)	4	All
	934 00 492	Lock Nut 3/4 - 10 (905 57 129 Air Spring)	2	All
24	934 00 502	Lock Nut 1-8 GrC	8	All
25	936 00 072	Lock Washer 1/2" (905 57 023 Air Spring)	2	All
	936 00 072	Lock Washer 1/2" (905 57 129 Air Spring)	4	All
26	936 00 077	Lock Washer 3/4"	4	All
27	939 00 027	Washer 1 ID	8	All
28	905 19 009	Lower Shock Bracket	2	AR-41
	905 19 425	Lower Shock Bracket	2	AR-45, AR-45-1
29	905 08 004	Replacement Shock Bushing	8	All
30	900 44 162	Shock Absorber	2	All
31	900 31 437	Plate	2	AR-45-1
32	900 31 025	Air Spring Mounting Plate	2	All
33	900 38 249	3.0 OD x .25 WA x 46.0 Tube	1	AR-41
	900 38 056	3.0 OD x .25 WA x 42.0 Tube	1	AR-45, AR-45-1
Service Repair Kits				
	481 00 108	SRK-64 - Axle Connection (5" Round, New Style)	1	All
	481 00 112	SRK-68 - Axle Connection (5" Square, 20" wheel)	1	All
*	481 00 202	SRK-145 - Pivot Connection	1	All

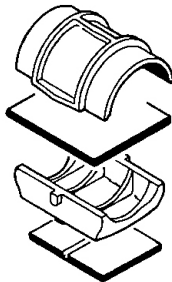
* When Alignment Blocks are required, specify SRK-48

AR-50-US, AR-50-US-F, AR-50-US-F-1, AR-50-US-F-2 EXPLODED VIEW

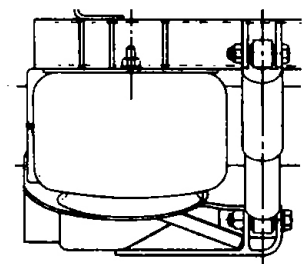
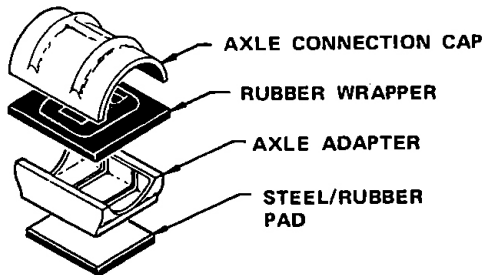
NOTE: For 15" wheel axle connection parts, with cam on horizontal centerline, refer to page 3-119.



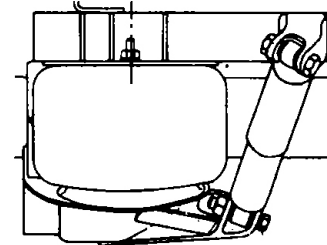
OLD STYLE
5" Rd. & 5" Sq.



NEW STYLE
5" Rd. (all parts) & 5" Sq. (axle adapter & pad)



NEW STYLE



OLD STYLE

SERVICE PARTS ONLY

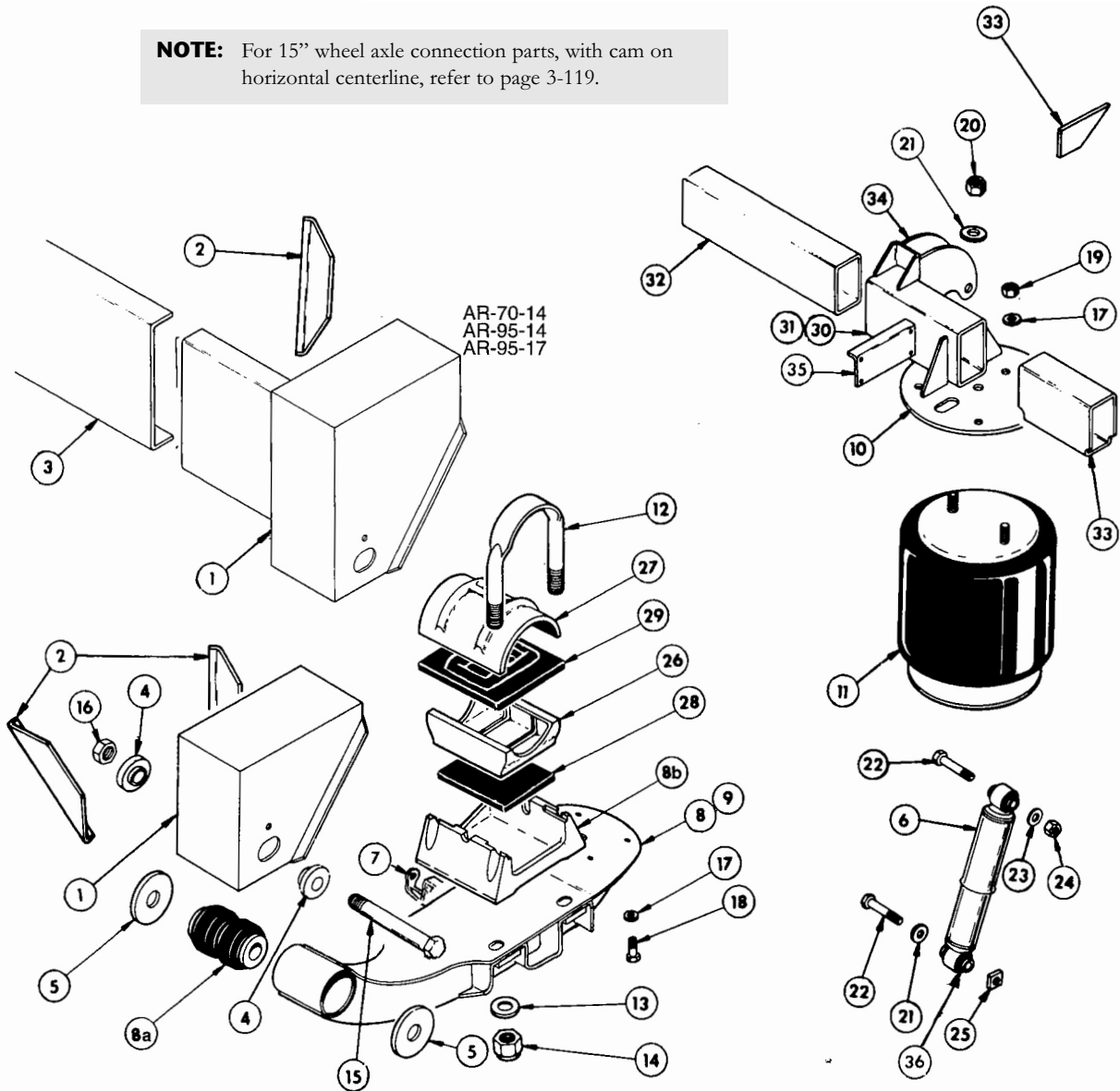
Please contact Customer Service for part availability
888.396.6501

AR-50-US, AR-50-US-F, AR-50-US-F-1, AR-50-US-F-2 PARTS LIST

ITEM	PART NO.	DESCRIPTION	QTY REQD	MODEL
1	905 18 081	Frame Bracket Assembly Adjustable	2	AR-50-US, F-1
	905 18 078	Frame Bracket Assembly Adjustable	2	AR-50-US-F, F-2
2	900 08 131	Rubber Bushing	2	All
3	900 31 027	Air Spring Mounting Plate	2	All
4	900 01 045	Alignment Block	2	All
5	932 01 045	Cap Screw 1 1/8-7 x 8 1/2" Gr5	2	All
6	934 00 506	Lock Nut 1-1/8" -7 GrC	2	All
7	939 00 027	Washer 1 ID	8	All
8	905 16 008	Equalizing Beam LH (New Style)	1	AR-50-US
	905 16 000	Equalizing Beam LH (New Style)	1	AR-50-US-F, F-1, F-2
	905 15 141	Equalizing Beam LH (Old Style)	1	AR-50-US
	905 15 132	Equalizing Beam LH (Old Style)	1	AR-50-US-F, F-1, F-2
	905 16 009	Equalizing Beam RH (New Style)	1	AR-50-US
	905 16 001	Equalizing Beam RH (New Style)	1	AR-50-US-F, F-1, F-2
	905 15 142	Equalizing Beam RH (Old Style)	1	AR-50-US
	905 15 131	Equalizing Beam RH (Old Style)	1	AR-50-US-F, F-1, F-2
9	900 01 006	Beam Seat	2	All
10	905 57 023	Air Spring Assembly	2	All
11	936 00 072	Lock Washer 1/2"	2	All
12	934 00 136	Hex Nut 1/2 - 13 GrB	2	All
13	936 00 077	Lock Washer 3/4	4	All
14	934 00 149	Hex Nut 3/4 - 16 GrB	2	All
15	934 00 492	Lock Nut 3/4 - 10 GrB	2	All
16	900 44 162	Shock Absorber	2	All
17	930 03 599	Cap Screw 3/4 - 10 x 3 1/2" GrB	4	All
18	900 32 561	Upper Shock Mounting Bracket (New Style)	4	AR-50-US, F, F-1
	900 18 061	Upper Shock Mounting Bracket (Old Style)	1	AR-50-US, F, F-1
	900 18 062	Upper Shock Mounting Bracket (Old Style)	1	AR-50-US, F, F-1
	905 19 040	Upper Shock Mounting Bracket (New Style)	2	AR-50-US-F-2
	900 18 114	Upper Shock Mounting Bracket (Old Style)	2	AR-50-US-F-2
19	900 01 082	Axle Adapter (New Style)	2	All
20	900 10 032	Axle Cap (New Style)	2	All
21	900 28 083	Steel/Rubber Pad (New Style)	2	All
	900 28 016	Rubber Pad (Old Style)	2	All
22	900 28 047	Rubber Wrapper (New Style)	2	All
	900 28 007	Rubber Wrapper (Old Style)	2	All
23	900 41 878	U-Bolt 1-8 x 9 Gr8	4	All
24	934 00 502	Lock Nut 1-8 GrC	8	All
25	905 08 004	Replacement Shock Bushing	8	All
26	905 44 573	Crossmember Assembly (New Style)	1	All
	905 18 065	Crossmember Assembly (Old Style)	1	AR-50-US
27	905 19 009	Lower Shock Bracket (New Style)	2	All
	900 18 067	Lower Shock Bracket (Old Style)	2	All
28	934 00 367	Square Nut 3/4 - 10 GrA	2	All
29	934 00 553	Lock Nut 3/4-10 GrB	2	All
Service Repair Kits				
	481 00 193	SRK-48A - Pivot Connection	1	All
	481 00 018	SRK-49 - Axle Connection (5" Round, Old Style)	1	All
	481 00 108	SRK-64 - Axle Connection (5" Round, New Style)	1	All
	481 00 112	SRK-68 - Axle Connection (5" Square, 20" wheel)	1	All

AR-70-9, -14, AR-95-9, -12, -14, -17 EXPLODED VIEW

NOTE: For 15" wheel axle connection parts, with cam on horizontal centerline, refer to page 3-119.



SERVICE PARTS ONLY

Please contact Customer Service for part availability
888.396.6501

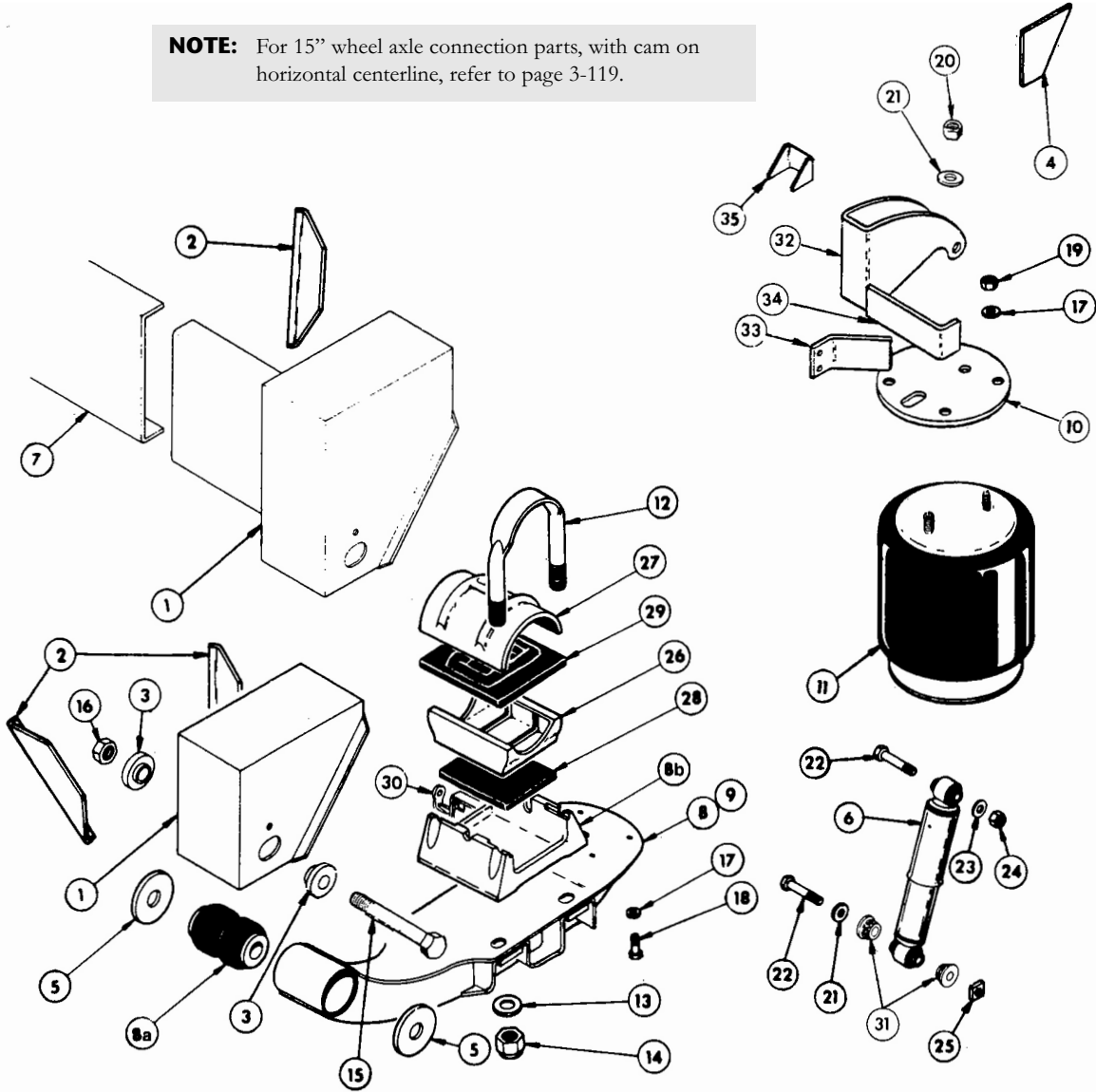
ITEM	PART NO.	DESCRIPTION	QTY REQD	MODEL	RISE HEIGHT
1	905 18 714	Frame Bracket Assembly Adjustable	2	AR-95	9,12
	905 18 716	Frame Bracket Assembly Adjustable	2	AR-70	9
	905 18 719	Frame Bracket Assembly RH Fixed (Includes Item #4)	1	AR-95	14,17
	905 18 720	Frame Bracket Assembly LH Adjustable	1	AR-95	14,17
	905 18 721	Frame Bracket Assembly RH Fixed (Includes Item #4)	1	AR-70	14
	905 18 722	Frame Bracket Assembly LH Adjustable	1	AR-70	14
2	900 23 002	Angle Brace	4	AR-70	9
	900 23 866	Angle Brace	4	AR-95	9,12
	900 23 866	Angle Brace	2	AR-70	14
	900 23 918	Angle Brace LH	1	AR-95	14,17
	900 23 919	Angle Brace RH	1	AR-95	14,17
	410 23 327	Channel	1	AR-70	All
4	900 08 092	Adjusting Bushing	4	AR-70,95	All

AR-70-9, -14, AR-95-9, -12, -14, -17 PARTS LIST

ITEM	PART NO.	DESCRIPTION	QTY REQD	MODEL	RIDE HEIGHT
5	900 36 177	Spacer Washer	4	AR-70,95	All
6	900 44 626	Shock Absorber	2	AR-70	All
	900 44 625	Shock Absorber	2	AR-95	All
7	900 18 179	Lower Shock Bracket	2	AR-70,95	All
8	905 15 624	Equalizing Beam Assembly LH (Includes Item #8a, 8b, 7)	1	AR-70	All
	905 15 667	Equalizing Beam Assembly LH (Includes Item #8a, 8b, 7)	1	AR-95	9,14
	905 15 624	Equalizing Beam Assembly LH (Includes Item #8a, 8b, 7)	1	AR-95	12,17
8a	900 08 139	Rubber Bushing	2	AR-70,95	All
8b	900 01 006	Beam Seat	2	AR-70	All
	900 01 006	Beam Seat	2	AR-95	12,17
	900 01 008	Beam Seat	2	AR-95	9,14
9	905 15 625	Equalizing Beam Assembly RH (Includes Item #8a, 8b, 7)	1	AR-70	All
	905 15 668	Equalizing Beam Assembly RH (Includes Item #8a, 8b, 7)	1	AR-95	9,14
	905 15 625	Equalizing Beam Assembly RH (Includes Item #8a, 8b, 7)	1	AR-95	12,17
10	900 33 785	Air Spring Mounting Plate	2	AR-70,95	All
11	905 57 078	Air Spring Assembly	2	AR-70	All
	905 57 077	Air Spring Assembly	2	AR-95	All
12	900 41 878	U-Bolt 1-8 x 9" 5" Rd	4	AR-70	All
	900 41 878	U-Bolt 1-8 x 9" 5" Rd	4	AR-95	12,17
	900 42 792	U-Bolt 1-8 x 12 1/2" 5" Rd	4	AR-95	9,14
	900 42 795	U-Bolt 1-8 x 12 1/2" 5" Sq	4	AR-95	9,14
	900 41 997	U-Bolt 1-8 x 9 1/2" 5" Sq	4	AR-95	12,17
13	939 00 027	Flat Washer 1"	8	AR-70,95	All
14	934 00 502	Lock Nut 1"-8	8	AR-70,95	All
15	932 01 055	Bolt 1 1/8-7 x 9 1/4"	2	AR-70,95	All
16	934 00 506	Lock Nut 1 1/8-7	2	AR-70,95	All
17	936 00 072	Lock Washer 1/2"	8	AR-70,95	All
18	930 02 893	Bolt 1/2"-13 x 1"	6	AR-70,95	All
19	934 00 136	Hex Nut 1/2"-13	2	AR-70,95	All
20	934 00 149	Hex Nut 3/4"-16	2	AR-70,95	All
21	936 00 077	Lock Washer 3/4"	4	AR-70,95	All
22	930 03 603	Cap Screw 3/4"-10 x 3 3/4"	4	AR-70,95	All
23	936 00 156	Flat Washer 3/4"	2	AR-70,95	All
24	934 00 492	Lock Nut 3/4"-10	2	AR-70,95	All
25	934 00 367	Square Nut 3/4"-10	2	AR-70,95	All
26	900 01 082	Axle Adapter 5" Rd	2	AR-70,95	All
	900 01 083	Axle Adapter 5" Sq	2	AR-70,95	All
27	900 10 032	Axle Cap 5" Rd	2	AR-70,95	All
	900 10 022	Axle Cap 5" Sq	2	AR-70,95	All
28	900 28 083	Rubber Pad	2	AR-70,95	All
29	900 28 047	Rubber Wrapper 5" Rd	2	AR-70,95	All
	900 28 073	Rubber Wrapper 5" Sq	2	AR-70,95	All
30	905 18 723	Crossmember Assembly LH (Includes Item #10, 34, 35)	1	AR-70	9
	905 18 728	Cross member Assembly LH (Includes Item #10, 34, 35)	1	AR-70	14
	905 18 727	Crossmember Assembly LH (Includes Item #10, 34, 35)	1	AR-95	9,12
	905 18 726	Crossmember Assembly LH (Includes Item #10, 34, 35)	1	AR-95	14,17
31	905 18 751	Crossmember Assembly RH (Includes Item #10, 34, 35)	1	AR-70	9
	905 18 752	Crossmember Assembly RH (Includes Item #10, 34, 35)	1	AR-70	14
	905 18 754	Crossmember Assembly RH (Includes Item #10, 34, 35)	1	AR-95	9,12
	905 18 753	Crossmember Assembly RH (Includes Item #10, 34, 35)	1	AR-95	14,17
32	905 38 008	Channel Assembly	1	AR-70,95	All
33	905 38 007	Channel Assembly	2	AR-70	9
	905 38 007	Channel Assembly	2	AR-95	9,12
	900 32 137	Gusset	2	AR-70	14
	900 32 137	Gusset	2	AR-95	14,17
34	900 18 322	Upper Shock Bracket	2	AR-70,95	All
35	900 23 865	Bracket	2	AR-70,95	All
36	905 08 004	Replacement Shock Bushing	8	AR-70,95	All
Service Repair Kits					
	481 00 108	SRK-64 - Axle Connection (5" Round)	1	AR-70	9,14
			1	AR-95	12,17
	481 00 112	SRK-68 - Axle Connection (5" Square, 20" Wheels)	1	AR-70	9,14
			1	AR-95	12,17
	481 00 181	SRK-128 - Axle Connection (5" Round)	1	AR-95	9,14
	481 00 202	SRK-145 - Pivot Connection	1	AR-70,95	All

AR-70A-9, -14, AR-95A-9, -12, -14, -17 EXPLODED VIEW

NOTE: For 15" wheel axle connection parts, with cam on horizontal centerline, refer to page 3-119.



SERVICE PARTS ONLY

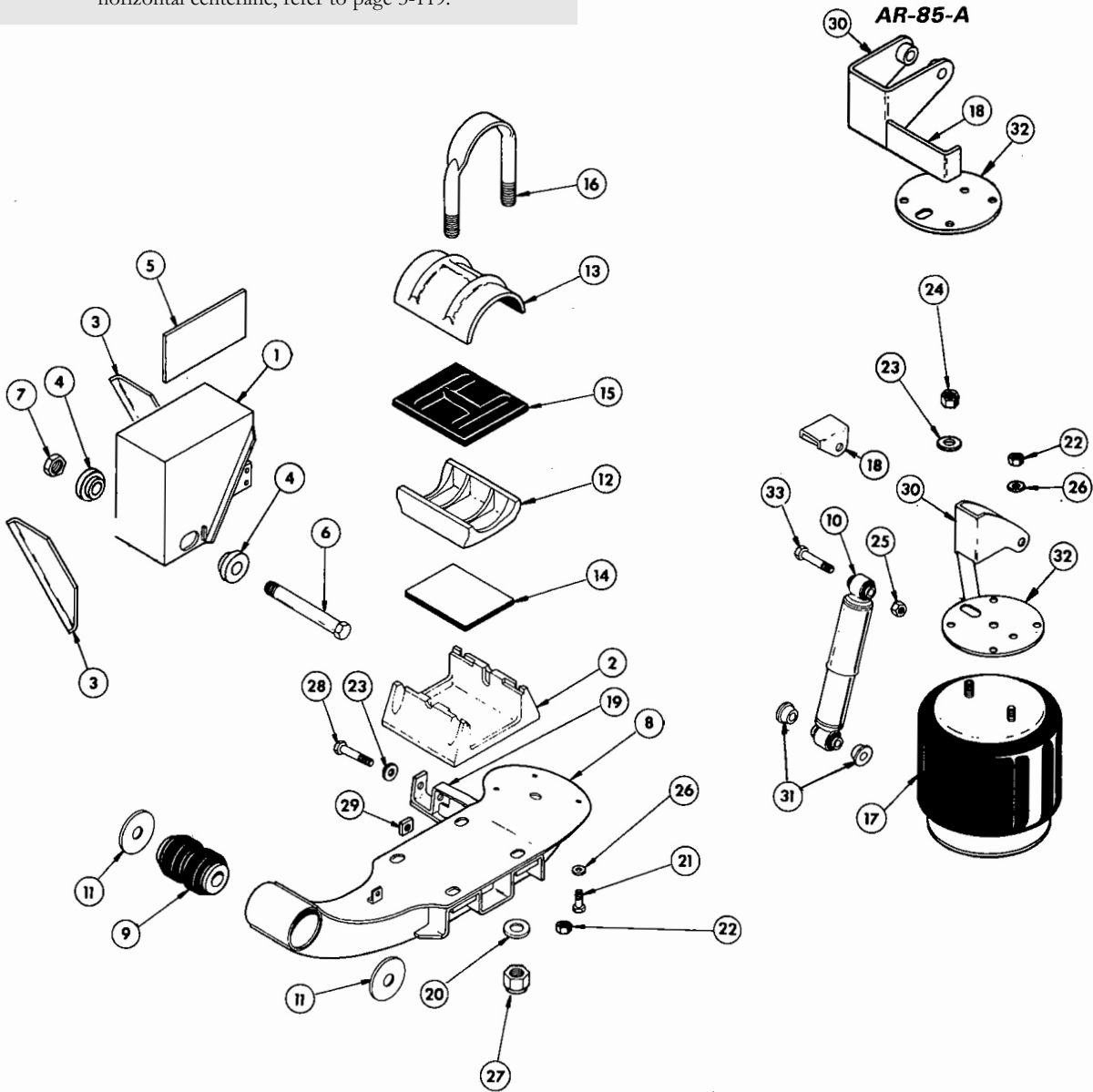
Please contact Customer Service for part availability
888.396.6501

AR-70A-9, -14, AR-95A-9, -12, -14, -17 PARTS LIST

ITEM	PART NO.	DESCRIPTION	QTY REQD	MODEL	RIDE HEIGHT
1	905 19 692	Frame Bracket Assembly LH Adjustable	1	AR-70A	9
	905 19 694	Frame Bracket Assembly RH Fixed	1	AR-70A	9
	905 19 696	Frame Bracket Assembly Adjustable	2	AR-95A	9,12
	905 19 700	Frame Bracket Assembly LH Adjustable	1	AR-70A	14
	905 19 703	Frame Bracket Assembly RH Fixed	1	AR-70A	14
	905 19 704	Frame Bracket Assembly LH Adjustable	1	AR-95A	14,17
	905 19 705	Frame Bracket Assembly RH Fixed	1	AR-95A	14,17
2	900 23 002	Angle Brace	4	AR-70A	9
	900 23 866	Angle Brace	4	AR-95A	9,12
	900 23 866	Angle Brace	2	AR-70A	14
	900 23 918	Angle Brace LH	1	AR-95A	14,17
	900 23 919	Angle Brace RH	1	AR-95A	14,17
3	900 08 147	Alignment Bushing	4	AR-70A, 95A	All
4	900 32 137	Gusset	2	AR-70A	14
	900 32 137	Gusset	2	AR-95A	14,17
5	900 36 177	Spacer Washer	4	AR-70A, 95A	All
6	900 44 626	Shock Absorber	2	AR-70A	All
	900 44 625	Shock Absorber	2	AR-95A	All
7	410 23 327	Channel	1	AR-70A	14
	410 23 327	Channel	1	AR-95A	14,17
8	905 16 074	Equalizing Beam Assembly LH (Includes Item #8a, 8b, 30)	1	AR-70A	All
	905 16 074	Equalizing Beam Assembly LH (Includes Item #8a, 8b, 30)	1	AR-95A	12,17
	905 16 078	Equalizing Beam Assembly LH (Includes Item #8a, 8b, 30)	1	AR-95A	9,14
8a	900 08 139	Rubber Bushing	2	AR-70A, 95A	All
8b	900 01 006	Beam Seat	2	AR-70A	All
	900 01 006	Beam Seat	2	AR-95A	12,17
	900 01 008	Beam Seat	2	AR-95A	9,14
9	905 16 075	Equalizing Beam Assembly RH (Includes Item #8a, 8b, 30)	1	AR-70A	All
	905 16 075	Equalizing Beam Assembly RH (Includes Item #8a, 8b, 30)	1	AR-95A	12,17
	905 16 079	Equalizing Beam Assembly RH (Includes Item #8a, 8b, 30)	1	AR-95A	9,14
10	900 33 785	Air Spring Mounting Plate	2	AR-70A, 95A	All
11	905 57 078	Air Spring Assembly	2	AR-70A	All
	905 57 077	Air Spring Assembly	2	AR-95A	All
12	900 41 878	U-Bolt 1-8 x 9" 5" Rd	4	AR-70A	All
	900 41 878	U-Bolt 1-8 x 9" 5" Rd	4	AR-95A	12,17
	900 42 792	U-Bolt 1-8 x 12 1/2" 5" Rd	4	AR-95A	9,14
	900 42 836	U-Bolt 1-8 x 9 1/2" 5" Sq	4	AR-95A	12,17
	900 42 846	U-Bolt 1-8 x 12 1/2" 5" Sq	4	AR-95A	9,14
13	939 00 027	Flat Washer 1"	8	AR-70A, 95A	All
14	934 00 502	Lock Nut 1"-8	8	AR-70A, 95A	All
15	932 01 055	Bolt 1 1/8-7 x 9 1/4"	2	AR-70A, 95A	All
16	934 00 506	Lock Nut 1 1/8-7	2	AR-70A, 95A	All
17	936 00 072	Lock Washer 1/2"	8	AR-70A, 95A	All
18	930 02 893	Bolt 1/2"-13 x 1"	6	AR-70A, 95A	All
19	934 00 136	Hex Nut 1/2"-13	2	AR-70A, 95A	All
20	934 00 149	Hex Nut 3/4"-16	2	AR-70A, 95A	All
21	936 00 077	Lock Washer 3/4"	4	AR-70A, 95A	All
22	930 03 597	Cap Screw 3/4"-10 x 3 1/2"	4	AR-70A, 95A	All
23	936 00 156	Flat Washer 3/4"	2	AR-70A, 95A	All
24	934 00 492	Lock Nut 3/4"-10	2	AR-70A, 95A	All
25	934 00 367	Square Nut 3/4"-10	2	AR-70A, 95A	All
26	900 01 082	Axle Adapter 5" Rd	2	AR-70A, 95A	All
	900 01 083	Axle Adapter 5" Sq	2	AR-70A, 95A	All
27	900 10 032	Axle Cap 5" Rd	2	AR-70A, 95A	All
	900 10 047	Axle Cap 5" Sq	2	AR-70A, 95A	All
28	900 28 083	Rubber Pad	2	AR-70A, 95A	All
29	900 28 047	Rubber Wrapper 5" Rd	2	AR-70A, 95A	All
	900 28 073	Rubber Wrapper 5" Sq	2	AR-70A, 95A	All
30	905 19 749	Lower Shock Bracket	2	AR-70A, 95A	All
31	905 08 004	Replacement Shock Bushing	8	AR-70A, 95A	All
32	900 18 427	Upper Shock Bracket	2	AR-70A, 95A	All
33	900 18 527	Bracket	2	AR-70A, 95A	All
34	900 24 665	Support	2	AR-70A	All
	900 24 664	Support	2	AR-95A	All
35	900 23 876	Reinforcement Bracket	2	AR-70A, 95A	All
Service Repair Kits					
	481 00 108	SRK-64 - Axle Connection (5" Round)	1	AR-70A	9,14
			1	AR-95A	12,17
	481 00 181	SRK-128 - Axle Connection (5" Round)	1	AR-95A	9,14
	481 00 202	SRK-145 - Pivot Connection	1	AR-70A, 95A	All

AR-75-6, -9, AR-85-A EXPLODED VIEW

NOTE: For 15" wheel axle connection parts, with cam on horizontal centerline, refer to page 3-119.



SERVICE PARTS ONLY

Please contact Customer Service for part availability
888.396.6501

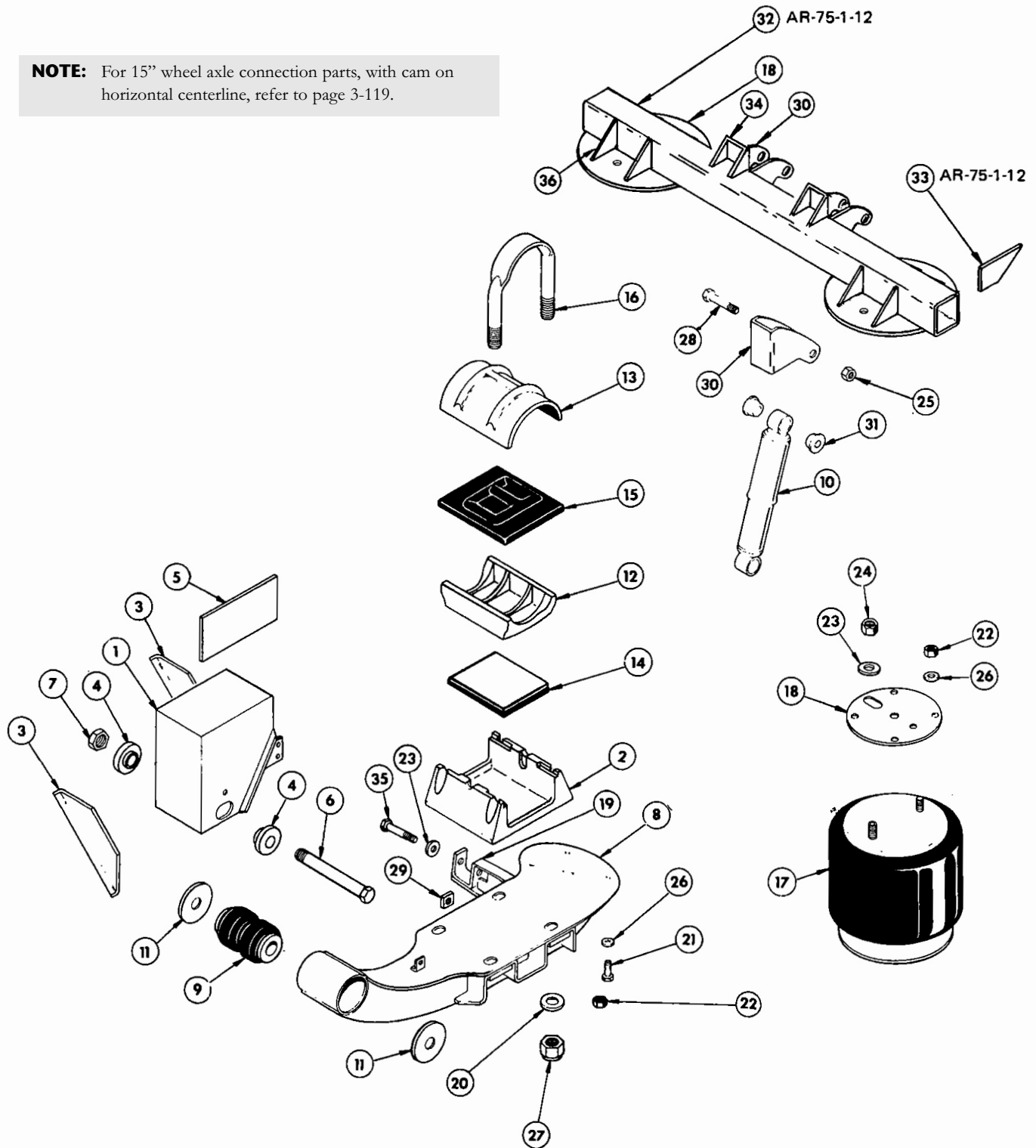
AR-75-6, -9, AR-85-A PARTS LIST

ITEM	PART NO.	DESCRIPTION	QTY REQD	MODEL	RISE HEIGHT
1	905 19 714	Adjustable Frame Bracket LH	1	AR-75, AR-85-A	All
	905 20 151	Adjustable Frame Bracket RH	1	AR-75, AR-85-A	All
2	900 01 008	Axle Beam Seat	2	AR-75	6
	900 01 006	Axle Beam Seat	2	AR-75, AR-85-A	9
3	900 23 002	Angle Brace	4	AR-75, AR-85-A	All
4	900 08 147	Alignment Bushing	4	AR-75, AR-85-A	All
5	900 31 437	Plate	2	AR-75, AR-85-A	All
6	932 01 055	Cap Screw 1 1/8-7 x 9 1/4" Gr5	2	AR-75, AR-85-A	All
7	934 00 506	Lock Nut 1 1/8-7" GrB	2	AR-75, AR-85-A	All
8	905 15 859	Equalizing Beam Assembly LH (Includes Item #2, 9, 19)	1	AR-75	6
	905 15 857	Equalizing Beam Assembly LH (Includes Item #2, 9, 19)	1	AR-75	9
	905 16 195	Equalizing Beam Assembly LH (Includes Item #2, 9, 19)	1	AR-85-A	
	905 15 860	Equalizing Beam Assembly RH (Includes Item #2, 9, 19)	1	AR-75	6
	905 15 858	Equalizing Beam Assembly RH (Includes Item #2, 9, 19)	1	AR-75	9
	905 16 196	Equalizing Beam Assembly RH (Includes Item #2, 9, 19)	1	AR-85-A	
9	900 08 139	Rubber Bushing	2	AR-75, AR-85-A	All
10	900 44 626	Shock Absorber	2	AR-75	6,9
	900 44 625	Shock Absorber	2	AR-85-A	
11	900 36 177	Spacer Washer	4	AR-75, AR-85-A	All
12	900 01 082	Axle Adapter	2	AR-75, AR-85-A	All
13	900 10 032	Axle Cap	2	AR-75, AR-85-A	All
14	900 28 083	Steel/Rubber Pad	2	AR-75, AR-85-A	All
15	900 28 047	Rubber Wrapper	2	AR-75, AR-85-A	All
16	900 42 792	U-Bolt 1-8 x 12 1/2" Gr8 5 Rd	4	AR-75	6
	900 41 878	U-Bolt 1-8 x 9" Gr8 5 Rd	4	AR-75, AR-85-A	9
17	905 57 113	Air Spring Assembly	2	AR-75	6,9
	905 57 078	Air Spring Assembly	2	AR-85-A	
18	905 19 040	Upper Shock Mounting Bracket (Optional on AR-75-9)	2	AR-75	6,9
	900 24 738	Bracket	2	AR-85-A	
19	905 19 425	Lower Shock Mounting Bracket	2	AR-75	6,9
	905 19 809	Lower Shock Mounting Bracket	2	AR-85-A	
20	939 00 027	Washer 1 ID	8	AR-75, AR-85-A	All
21	930 02 893	Cap Screw 1/2 - 13 x 1" Gr2 (905 57 078 Air Spring)	6	AR-85-A	
22	934 00 136	Hex Nut 1/2 - 13 GrB (905 57 078 Air Spring)	2	AR-85-A	
	934 00 136	Hex Nut 1/2 - 13 GrB (905 57 113 Air Spring)	4	AR-75	6,9
23	936 00 077	Lock Washer 3/4	4	AR-75, AR-85-A	All
24	934 00 149	Hex Nut 3/4 - 16 GrB	2	AR-75, AR-85-A	All
25	934 00 492	Lock Nut 3/4 - 10 GrB	2	AR-75, AR-85-A	All
26	936 00 072	Lock Washer 1/2	4	AR-75	6,9
	936 00 072	Lock Washer 1/2	8	AR-85-A	
27	934 00 502	Lock Nut 1-8 GrC	8	AR-75, AR-85-A	All
28	930 03 609	Cap Screw 3/4 - 10 x 4"	2	AR-75	6,9
	930 03 597	Cap Screw 3/4 - 10 x 3 1/2" Gr5	2	AR-85-A	
29	934 00 367	Square Nut 3/4 - 10 GrA	2	AR-75, AR-85-A	All
30	900 18 348	Upper Shock Mounting Bracket	2	AR-75	9
	905 19 810	Upper Shock Mounting Bracket	2	AR-85-A	
31	905 08 004	Replacement Shock Bushing	8	AR-75, AR-85-A	All
32	900 33 785	Air Spring Mounting Plate	2	AR-75, AR-85-A	9
33	930 03 597	Cap Screw 3/4 - 10 x 3 1/2" Gr5	2	AR-75	6,9
	930 03 633	Cap Screw 3/4 - 10 x 5" Gr5	2	AR-85-A	
Service Repair Kits					
	481 00 108	SRK-64 - Axle Connection (5" Round)	1	AR-75, AR-85-A	9
	481 00 112	SRK-68 - Axle Connection (5" Square, 20" Wheel)	1	AR-75	9
	481 00 181	SRK-128 - Axle Connection (5" Round)	1	AR-75	6
*	481 00 202	SRK-145 - Pivot Connection	1	AR-75, AR-85-A	All

* When alignment blocks are required, specify SRK-48

AR-75-12, -1-12 EXPLODED VIEW

NOTE: For 15" wheel axle connection parts, with cam on horizontal centerline, refer to page 3-119.



SERVICE PARTS ONLY

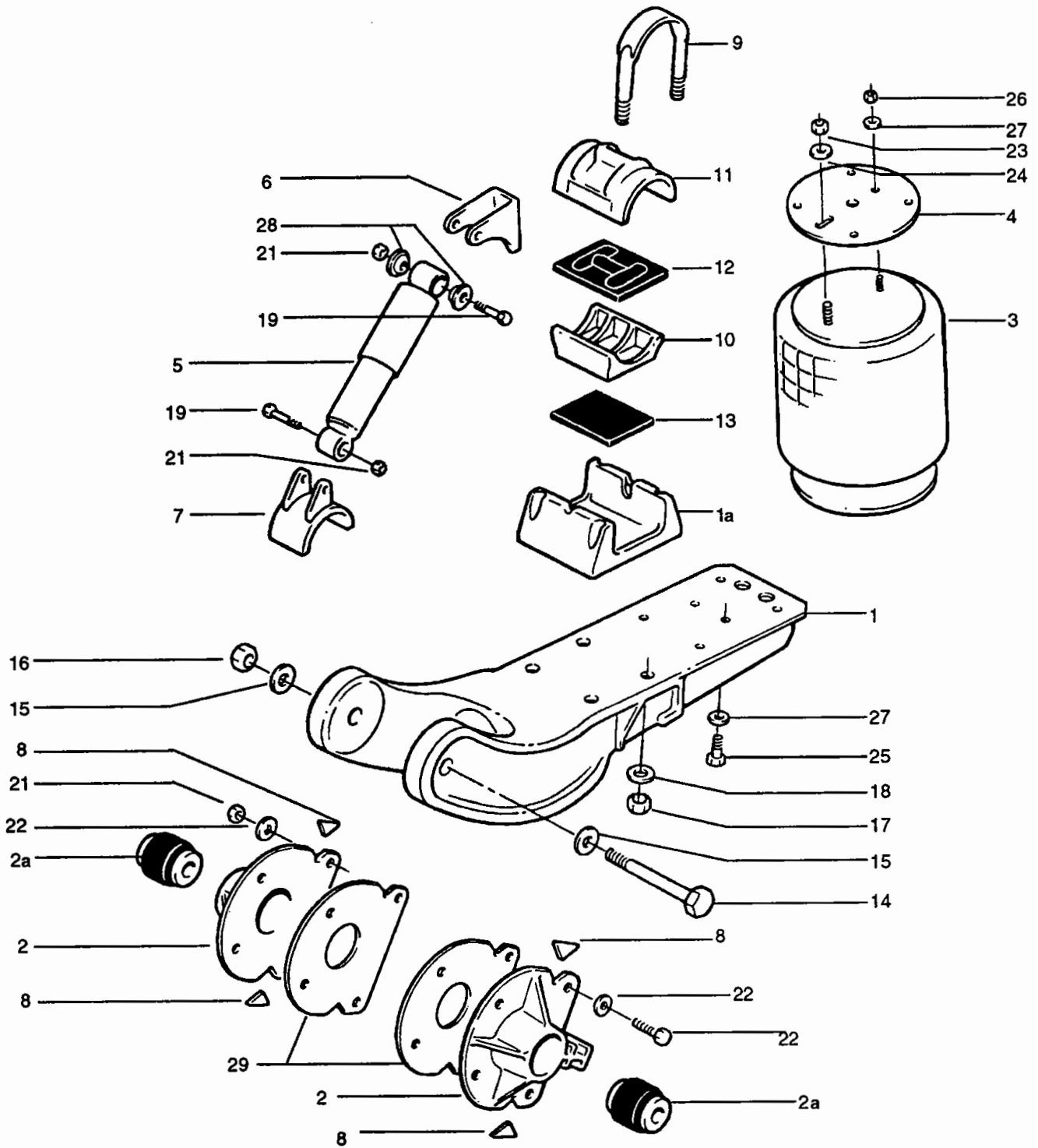
Please contact Customer Service for part availability
888.396.6501

AR-75-12, -1-12 PARTS LIST

ITEM	PART NO.	DESCRIPTION	QTY REQD	MODEL	RIDE HEIGHT
1	905 19 716	Adjustable Frame Bracket LH	1	AR-75, AR-75-1	12
	905 20 188	Adjustable Frame Bracket RH	1	AR-75, AR-75-1	12
2	900 01 006	Axle Beam Seat	2	AR-75, AR-75-1	12
3	900 23 001	Angle Brace	4	AR-75, AR-75-1	12
4	900 08 147	Alignment Bushing	4	AR-75, AR-75-1	12
5	900 31 437	Plate	2	AR-75, AR-75-1	12
6	932 01 055	Cap Screw 1 1/8-7 x 9 1/4" Gr5	2	AR-75, AR-75-1	12
7	934 00 506	Lock Nut 1 1/8-7" GrB	2	AR-75, AR-75-1	12
8	905 15 857	Equalizing Beam Assembly LH (Includes Item #2, 9, 19)	1	AR-75, AR-75-1	12
	905 15 858	Equalizing Beam Assembly RH (Includes Item #2, 9, 19)	1	AR-75, AR-75-1	12
9	900 08 139	Rubber Bushing	2	AR-75, AR-75-1	12
10	900 44 626	Shock Absorber	2	AR-75-1	12
	900 44 625	Shock Absorber	2	AR-75	12
11	900 36 177	Spacer Washer	4	AR-75, AR-75-1	12
12	900 01 082	Axle Adapter	2	AR-75, AR-75-1	12
13	900 10 032	Axle Cap	2	AR-75, AR-75-1	12
14	900 28 083	Steel/Rubber Pad	2	AR-75, AR-75-1	12
15	900 28 047	Rubber Wrapper	2	AR-75, AR-75-1	12
16	900 41 878	U-Bolt 1-8 x 9" Gr8 5 Rd	4	AR-75, AR-75-1	12
17	905 57 009	Air Spring Assembly (Aluminum Piston)	2	AR-75, AR-75-1	12
18	900 33 785	Air Spring Mounting Plate	2	AR-75, AR-75-1	12
19	905 19 425	Lower Shock Mounting Bracket	2	AR-75, AR-75-1	12
20	939 00 027	Washer 1 ID	8	AR-75, AR-75-1	12
21	930 03 039	Cap Screw 1/2 - 13 x 7" (905 57 009 Air Spring)	2	AR-75, AR-75-1	12
22	934 00 136	Hex Nut 1/2 - 13 GrB (905 57 009 Air Spring)	2	AR-75, AR-75-1	12
	934 00 136	Hex Nut 1/2 - 13 GrB (905 57 126 Air Spring)	4	AR-75, AR-75-1	12
23	936 00 077	Lock Washer 3/4	4	AR-75, AR-75-1	12
24	934 00 149	Hex Nut 3/4 - 16 GrB	2	AR-75, AR-75-1	12
25	934 00 492	Lock Nut 3/4 - 10 GrB	2	AR-75, AR-75-1	12
26	936 00 072	Lock Washer 1/2	4	AR-75, AR-75-1	12
27	934 00 502	Lock Nut 1-8 GrC	8	AR-75, AR-75-1	12
28	930 03 597	Cap Screw 3/4 - 10 x 3 1/2" Gr5	2	AR-75, AR-75-1	12
29	934 00 367	Square Nut 3/4 - 10 GrA	2	AR-75, AR-75-1	12
30	900 18 348	Upper Shock Mounting Bracket	2	AR-75	12
	900 18 301	Upper Shock Mounting Bracket	2	AR-75-1	12
31	905 08 004	Replacement Shock Bushing	8	AR-75, AR-75-1	12
32	905 38 041	Tubing Assembly	2	AR-75-1	12
33	900 31 445	Gusset	4	AR-75-1	12
34	900 23 876	Reinforcement Bracket	2	AR-75-1	12
35	930 03 609	Cap Screw 3/4 - 10 x 4"	2	AR-75, AR-75-1	12
36	900 33 062	Gusset	4	AR-75-1	12
Service Repair Kits					
	481 00 108	SRK-64 - Axle Connection (5" Round)	1	AR-75, AR-75-1	12
	481 00 112	SRK-68 - Axle Connection (5" Square, 20" Wheel)	1	AR-75	12
*	481 00 202	SRK-145 - Pivot Connection	1	AR-75, AR-75-1	12

* When alignment blocks are required, specify SRK-48

AR-80-9FM EXPLODED VIEW



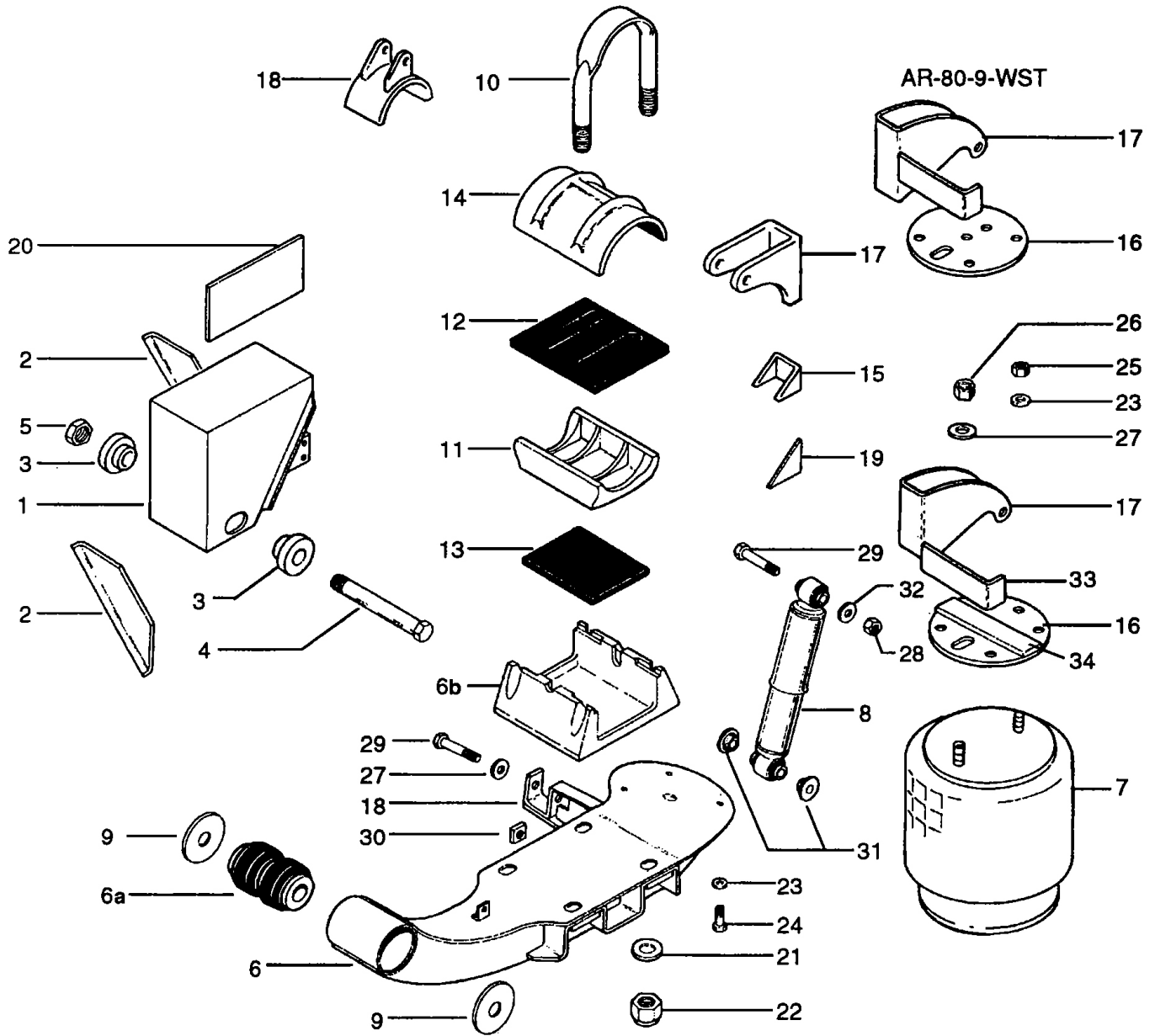
SERVICE PARTS ONLY

Please contact Customer Service for part availability
888.396.6501

AR-80-9FM PARTS LIST

ITEM	PART NO.	DESCRIPTION	QTY REQD
1	905 16 446	Equalizing Beam Assembly (Includes Item #1a)	1
1a	900 01 131	Beam Seat	2
2	905 45 076	Pivot Connection Assembly (Includes Item #2a)	4
2a	900 08 178	Rubber Bushing	4
3	905 57 111	Air Spring Assembly	2
4	900 33 785	Air Spring Mounting Plate	2
5	900 44 868	Shock Absorber	2
6	900 18 116	Shock Bracket (Upper)	2
7	905 20 276	Shock Bracket (Lower)	2
8	900 33 449	Plate	8
9	900 41 878	U-Bolt 5 Rd Axle	4
10	900 01 132	Axle Adapter	2
11	900 10 032	Axle Cap	2
12	900 28 047	Rubber Wrapper	2
13	900 28 083	Rubber Pad	2
14	932 01 053	Cap Screw 1 1/8 - 7	2
15	936 00 174	Washer HT 1 1/8"	4
16	934 00 506	Lock Nut 1 1/8 - 7	2
17	934 00 502	Lock Nut 1 - 8	8
18	939 00 027	Washer 1"	8
19	930 03 597	Cap Screw 3/4 - 10 x 3 1/2" Gr5	4
20	930 03 575	Cap Screw 3/4"	8
21	934 00 492	Lock Nut 3/4 - 10	12
22	936 00 156	Washer HT 3/4"	16
23	934 00 149	Hex Nut 3/4 - 16	2
24	936 00 077	Lock Washer 3/4"	2
25	930 02 893	Cap Screw 1/2"	6
26	934 00 136	Hex Nut 1/2 - 13	2
27	936 00 072	Lock Washer 1/2"	8
28	905 08 004	Replacement Shock Bushing	8
29	900 44 949	Shim (for 1/4" frame web only)	4
Service Repair Kits			
	481 00 263	SRK-202 - Pivot Connection	1

AR-80-6.75, -9, AR-80-9-WST EXPLODED VIEW



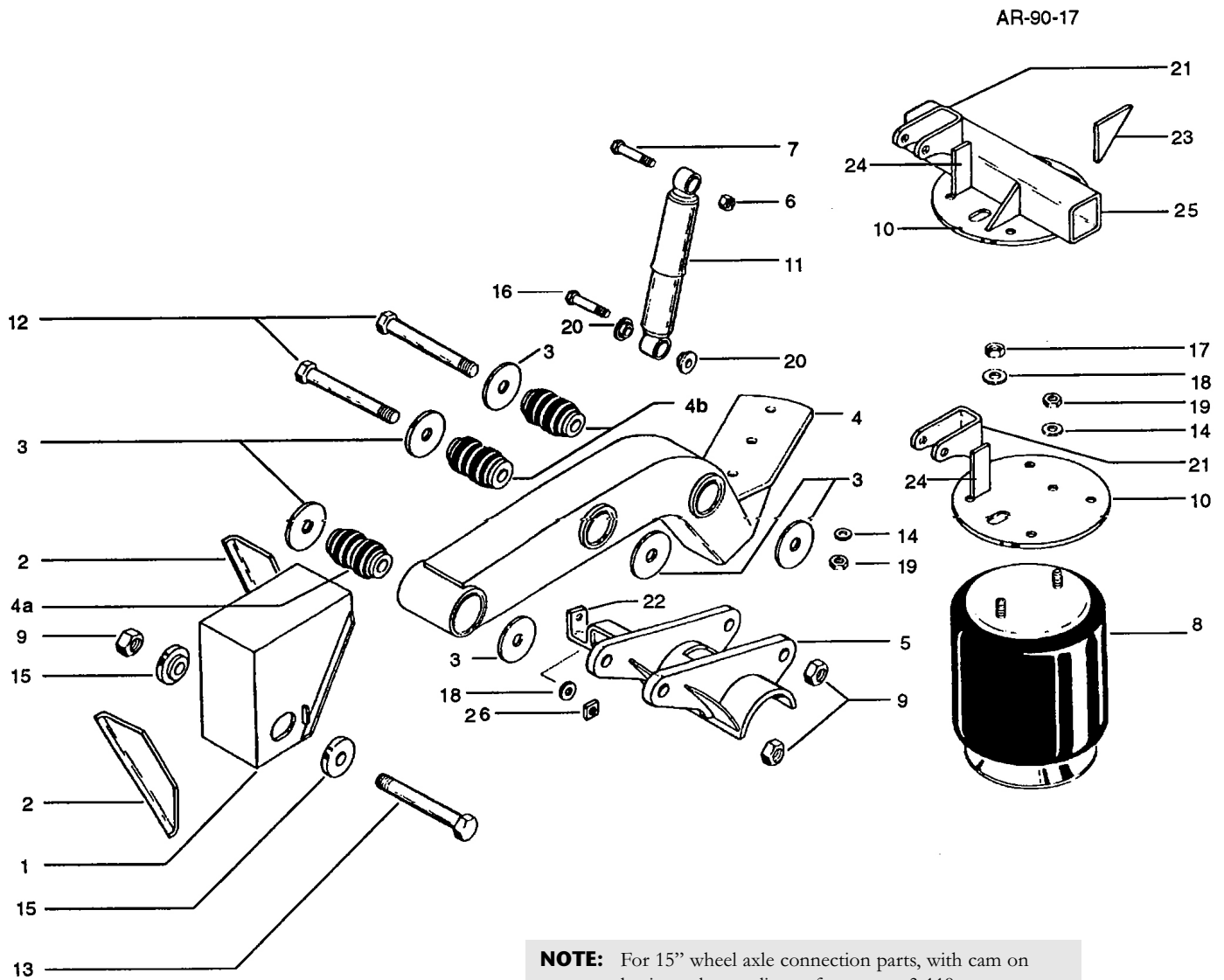
SERVICE PARTS ONLY

Please contact Customer Service for part availability
888.396.6501

AR-80-6.75, -9, AR-80-9-WST PARTS LIST

Key	Part Number	Description	Qty Req'd	Model	Ride Height
Service Components					
1	905 20 351	Frame Bracket Adjustable LH	1	AR-80	6.75
	905 19 714	Frame Bracket Adjustable LH	1	AR-80	9, 9-WST
	905 20 352	Frame Bracket Fixed RH	1	AR-80	6.75
	905 20 151	Frame Bracket Adjustable RH	1	AR-80	9, 9-WST
2	900 23 002	Angle Brace	4	AR-80	All
3	900 08 147	Alignment Bushing	4	AR-80	All
4	932 01 055	Cap Screw 1 1/8-7 x 9 1/4" Gr5	2	AR-80	All
5	934 00 506	Lock Nut 1 1/8-7	2	AR-80	All
6	905 16 447	Equalizing Beam Assembly LH (Includes key #6a, 6b, 18)	1	AR-80	6.75, 9-WST
	905 16 448	Equalizing Beam Assembly RH (Includes key #6a, 6b, 18)	1	AR-80	6.75, 9-WST
	905 16 449	Equalizing Beam Assembly LH (Includes key #6a, 6b)	1	AR-80	9
	905 16 450	Equalizing Beam Assembly RH (Includes key #6a, 6b)	1	AR-80	9
6a	900 08 139	Rubber Bushing	2	AR-80	All
6b	900 01 131	Beam Seat	2	AR-80	All
7	905 57 078	Air Spring Assembly	2	AR-80	6.75
	905 57 125	Air Spring Assembly	2	AR-80	9, 9-WST
8	900 44 046	Shock Absorber	2	AR-80	6.75
	900 44 868	Shock Absorber	2	AR-80	9
	900 44 626	Shock Absorber	2	AR-80	9-WST
9	900 36 177	Spacer Washer	4	AR-80	All
10	900 41 878	U-Bolt 1-8 x 9"	4	AR-80	All
11	900 01 132	Axle Adapter	2	AR-80	All
12	900 28 047	Rubber Wrapper	2	AR-80	All
13	900 28 083	Rubber Pad	2	AR-80	All
14	900 10 032	Axle Cap	2	AR-80	All
15	900 23 876	Reinforcement Bracket	2	AR-80	6.75
16	900 33 785	Air Spring Mounting Plate	2	AR-80	6.75, 9-WST
	900 31 027	Air Spring Mounting Plate	2	AR-80	9
17	900 18 427	Upper Shock Bracket	2	AR-80	6.75, 9-WST
	900 18 116	Upper Shock Bracket	2	AR-80	9
18	905 19 425	Lower Shock Bracket	2	AR-80	6.75, 9-WST
	905 20 276	Lower Shock Bracket	2	AR-80	9
19	900 31 182	Gusset	2	AR-80	6.75, 9-WST
20	900 31 437	Plate	2	AR-80	9-WST
21	939 00 027	Flat Washer 1	8	AR-80	All
22	934 00 502	Lock Nut 1-8	8	AR-80	All
23	936 00 072	Lock Washer 1/2	8	AR-80	All
24	930 02 893	Cap Screw 1/2-13 x 1"	6	AR-80	All
25	934 00 136	Hex Nut 1/2-13	2	AR-80	All
26	934 00 149	Hex Nut 3/4-16	2	AR-80	All
27	936 00 077	Lock Washer	4	AR-80	All
28	934 00 492	Lock Nut 3/4-10	2	AR-80	All
29	930 03 597	Cap Screw 3/4-10 x 3 1/2"	4	AR-80	All
30	934 00 367	Square Nut 3/4-10	2	AR-80	6.75, 9-WST
31	905 08 004	Replacement Shock Bushing	8	AR-80	All
32	936 00 156	Flat Washer 3/4	2	AR-80	6.75, 9-WST
33	900 25 018	Angle Brace	2	AR-80	6.75, 9-WST
34	900 33 511	Spacer	2	AR-80	6.75
Service Repair Kits					
	481 00 108	SRK-64 - Axle Connections (5" Round, 20" Wheel)	1	AR-80	All
	481 00 202	SRK-145 - Pivot Connection	1	AR-80	All

AR-90-14, -15, -16, -17 EXPLODED VIEW



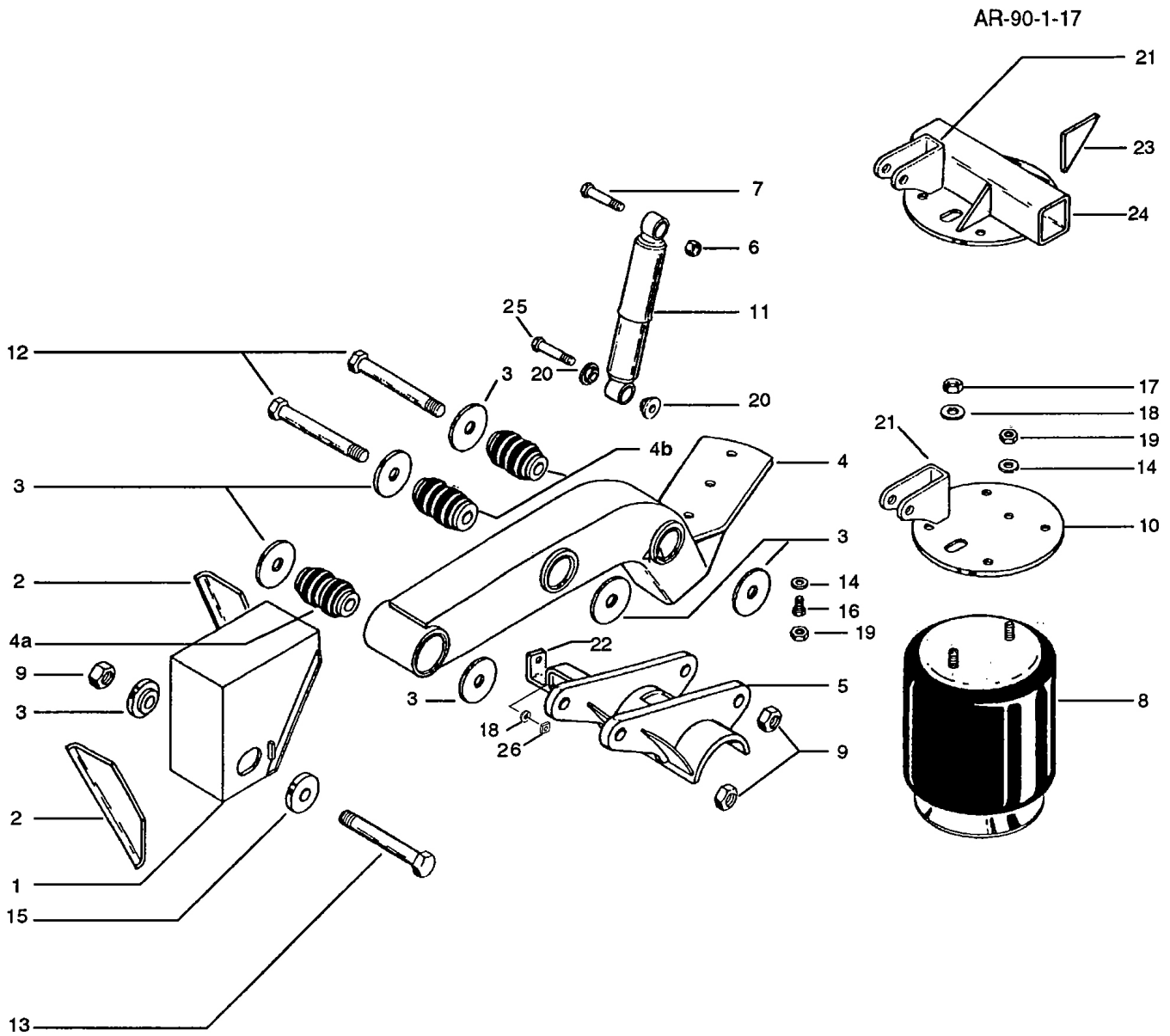
NOTE: For 15" wheel axle connection parts, with cam on horizontal centerline, refer to page 3-119.

SERVICE PARTS ONLY
 Please contact Customer Service for part availability
 888.396.6501

AR-90-14, -15, -16, -17 PARTS LIST

ITEM	PART NO.	DESCRIPTION	QTY REQD	RIDE HEIGHT
1	905 19 710	Adjustable Frame Bracket	2	14,15
	905 20 235	Adjustable Frame Bracket	2	16
	905 19 712	Adjustable Frame Bracket	2	17
2	900 23 002	Angle Brace	4	14,15
	900 23 001	Angle Brace	4	16,17
3	900 36 177	Spacer Washer	12	All
4	905 16 112	Equalizing Beam LH (Includes Item #4a, 4b)	1	All
	905 16 113	Equalizing Beam RH (Includes Item #4a, 4b)	1	All
4a	900 08 139	Rubber Bushing (Front Pivot)	2	All
4b	900 08 149	Rubber Bushing (Axle Connection)	4	All
5	905 01 289	Axle Adapter LH (Includes Item #22)	1	All
	905 01 290	Axle Adapter RH (Includes Item #22)	1	All
6	934 00 492	Lock Nut 3/4 - 10	4	All
7	930 03 597	Cap Screw 3/4 - 10 x 3 1/2"	2	All
8	905 57 112	Air Spring Assembly	2	All
9	934 00 506	Lock Nut 1 1/8 - 7	6	All
10	900 33 785	Air Spring Mounting Plate	2	All
11	900 44 089	Shock Absorber	2	All
12	932 01 051	Cap Screw 1 1/8 - 7 x 8 1/2"	4	All
13	932 01 055	Cap Screw 1 1/8 - 7 x 9 1/4"	2	All
14	936 00 072	Lock Washer 1/2"	4	All
15	900 08 147	Alignment Bushing	4	All
16	930 03 609	Cap Screw 3/4 - 10 x 4"	2	All
17	934 00 149	Hex Nut 3/4 - 16	2	All
18	936 00 077	Lock Washer 3/4"	4	All
19	934 00 136	Hex Nut 1/2 - 13	4	All
20	905 08 004	Replacement Shock Bushing	8	All
21	900 18 116	Upper Shock Bracket	2	All
22	905 19 773	Lower Shock Bracket	2	All
23	900 31 182	Gusset	6	17
24	900 32 742	Plate	2	14,15,16
25	900 38 312	Tube	2	17
26	934 00 367	Square Nut 3/4 - 10	2	All
Service Repair Kits				
	481 00 202	SRK-145 - Pivot Connection	1	All
	481 00 206	SRK-149 - Axle Connection (5" Round, 20" Wheel)	1	All

AR-90-1-12, -14, -15, -16, -17 EXPLODED VIEW



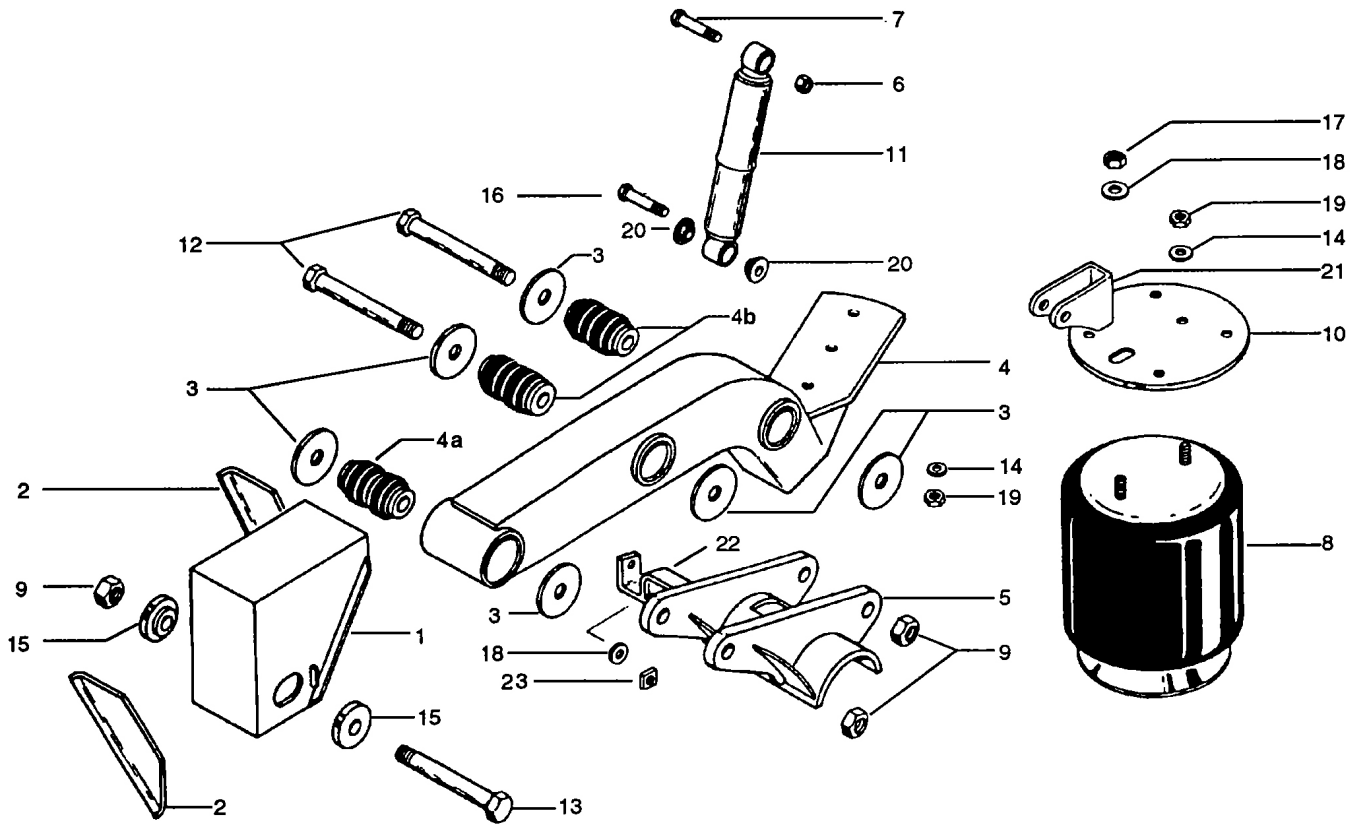
SERVICE PARTS ONLY

Please contact Customer Service for part availability
888.396.6501

AR-90-1-12, -14, -15, -16, -17 PARTS LIST

ITEM	PART NO.	DESCRIPTION	QTY REQD	RIDE HEIGHT
1	905 20 219	Adjustable Frame Bracket	2	12
	905 19 710	Adjustable Frame Bracket	2	14,15
	905 20 235	Adjustable Frame Bracket	2	16
	905 19 712	Adjustable Frame Bracket	2	17
2	900 23 002	Angle Brace	4	12,14,15
	900 23 001	Angle Brace	4	16,17
3	900 36 177	Spacer Washer	12	All
4	905 16 500	Equalizing Beam LH (Includes Item #4a, 4b)	1	All
	905 16 501	Equalizing Beam RH (Includes Item #4a, 4b)	1	All
4a	900 08 139	Rubber Bushing (Front Pivot)	2	All
4b	900 08 149	Rubber Bushing (Axle Connection)	4	All
5	905 01 289	Axle Adapter LH (Includes Item #22)	1	All
	905 01 290	Axle Adapter RH (Includes Item #22)	1	All
6	934 00 492	Lock Nut 3/4 - 10	2	All
7	930 03 597	Cap Screw 3/4 - 10 x 3 1/2"	2	All
8	905 57 131	Air Spring Assembly LH	1	12
	905 57 130	Air Spring Assembly RH	1	12
	905 57 113	Air Spring Assembly	2	14,17
	905 57 124	Air Spring Assembly	2	15,16
9	934 00 506	Lock Nut 1 1/8 - 7	6	All
10	900 33 785	Air Spring Mounting Plate	2	All
11	900 44 162	Shock Absorber	2	12,14,17
	900 45 054	Shock Absorber	2	15,16
12	932 01 051	Cap Screw 1 1/8 - 7 x 8 1/2"	4	All
13	932 01 055	Cap Screw 1 1/8 - 7 x 9 1/4"	2	All
14	936 00 072	Lock Washer 1/2"	6	12
	936 00 072	Lock Washer 1/2"	4	14,15,16,17
15	900 08 147	Alignment Bushing	4	All
16	930 02 893	Cap Screw 1/2 - 13 x 1"	4	12
17	934 00 149	Hex Nut 3/4 - 16	2	All
18	936 00 077	Lock Washer 3/4"	4	All
19	934 00 136	Hex Nut 1/2 - 13	2	12
	934 00 136	Hex Nut 1/2 - 13	4	14,15,16,17
20	905 08 004	Replacement Shock Bushing	8	All
21	900 18 445	Upper Shock Bracket	2	All
22	905 19 773	Lower Shock Bracket	2	All
23	900 31 182	Gusset	2	17
24	900 38 312	Tube	2	17
25	930 03 609	Cap Screw 3/4 - 10 x 4"	2	All
26	934 00 367	Square Nut 3/4 - 10	2	All
Service Repair Kits				
	481 00 202	SRK-145 - Pivot Connection	1	All
	481 00 206	SRK-149 - Axle Connection (5" Round, 20" Wheel)	1	All

AR-92-12, -14, -15, -16, -17, -18 EXPLODED VIEW



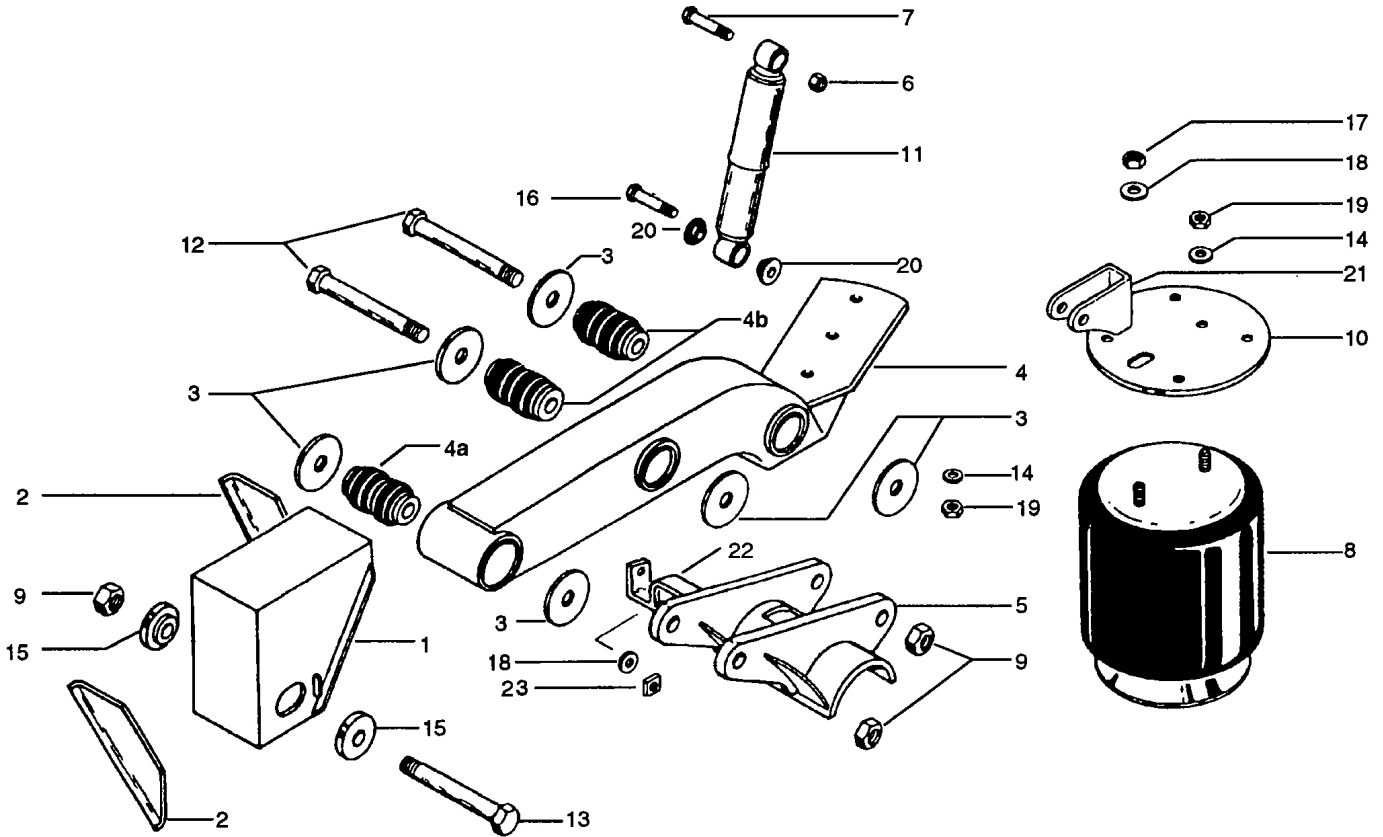
SERVICE PARTS ONLY

Please contact Customer Service for part availability
888.396.6501

AR-92-12, -14, -15, -16, -17, -18 PARTS LIST

ITEM	PART NO.	DESCRIPTION	QTY REQD	RIDE HEIGHT
1	905 20 383	Adjustable Frame Bracket	2	12
	905 20 346	Adjustable Frame Bracket	2	14
	905 19 710	Adjustable Frame Bracket	2	15
	905 20 235	Adjustable Frame Bracket	2	16,17
	905 20 385	Adjustable Frame Bracket	2	18
2	900 25 157	Angle Brace	4	12
	900 23 002	Angle Brace	4	14,15
	900 23 001	Angle Brace	4	16,17,18
3	900 36 177	Spacer Washer	12	All
4	905 16 500	Equalizing Beam LH (Includes Item #4a, 4b)	1	All
	905 16 501	Equalizing Beam RH (Includes Item #4a, 4b)	1	All
4a	900 08 139	Rubber Bushing (Front Pivot)	2	All
4b	900 08 149	Rubber Bushing (Axle Connection)	4	All
5	905 01 289	Axle Adapter LH (Includes Item #22)	1	All
	905 01 290	Axle Adapter RH (Includes Item #22)	1	All
6	934 00 492	Lock Nut 3/4 - 10	2	All
7	930 03 597	Cap Screw 3/4 - 10 x 3 1/2"	2	All
8	905 57 117	Air Spring Assembly	2	12,14
	905 57 118	Air Spring Assembly	2	15,16
	905 57 119	Air Spring Assembly	2	17,18
9	934 00 506	Lock Nut 1 1/8 - 7	6	All
10	900 33 785	Air Spring Mounting Plate	2	All
11	900 44 162	Shock Absorber	2	12
	900 45 040	Shock Absorber	2	14
	900 45 054	Shock Absorber	2	15
	900 44 794	Shock Absorber	2	16
	900 44 642	Shock Absorber	2	17
	900 44 089	Shock Absorber	2	18
12	932 01 051	Cap Screw 1 1/8 - 7 x 8 1/2"	4	All
13	932 01 055	Cap Screw 1 1/8 - 7 x 9 1/4"	2	All
14	936 00 072	Lock Washer 1/2"	4	All
15	900 08 147	Alignment Bushing	4	All
16	930 03 609	Cap Screw 3/4 - 10 x 4"	2	All
17	934 00 149	Hex Nut 3/4 - 16	2	All
18	936 00 077	Lock Washer 3/4"	4	All
19	934 00 136	Hex Nut 1/2 - 13	4	All
20	905 08 004	Replacement Shock Bushing	8	All
21	900 18 515	Upper Shock Bracket	2	All
22	905 19 773	Lower Shock Bracket	2	All
23	934 00 367	Square Nut 3/4 - 10	2	All
Service Repair Kits				
	481 00 202	SRK-145 - Pivot Connection	1	All
	481 00 206	SRK-149 - Axle Connection (5" Round, 20" Wheel)	1	All

AR-93-14, -15, -16, -17 EXPLODED VIEW



SERVICE PARTS ONLY

Please contact Customer Service for part availability
888.396.6501

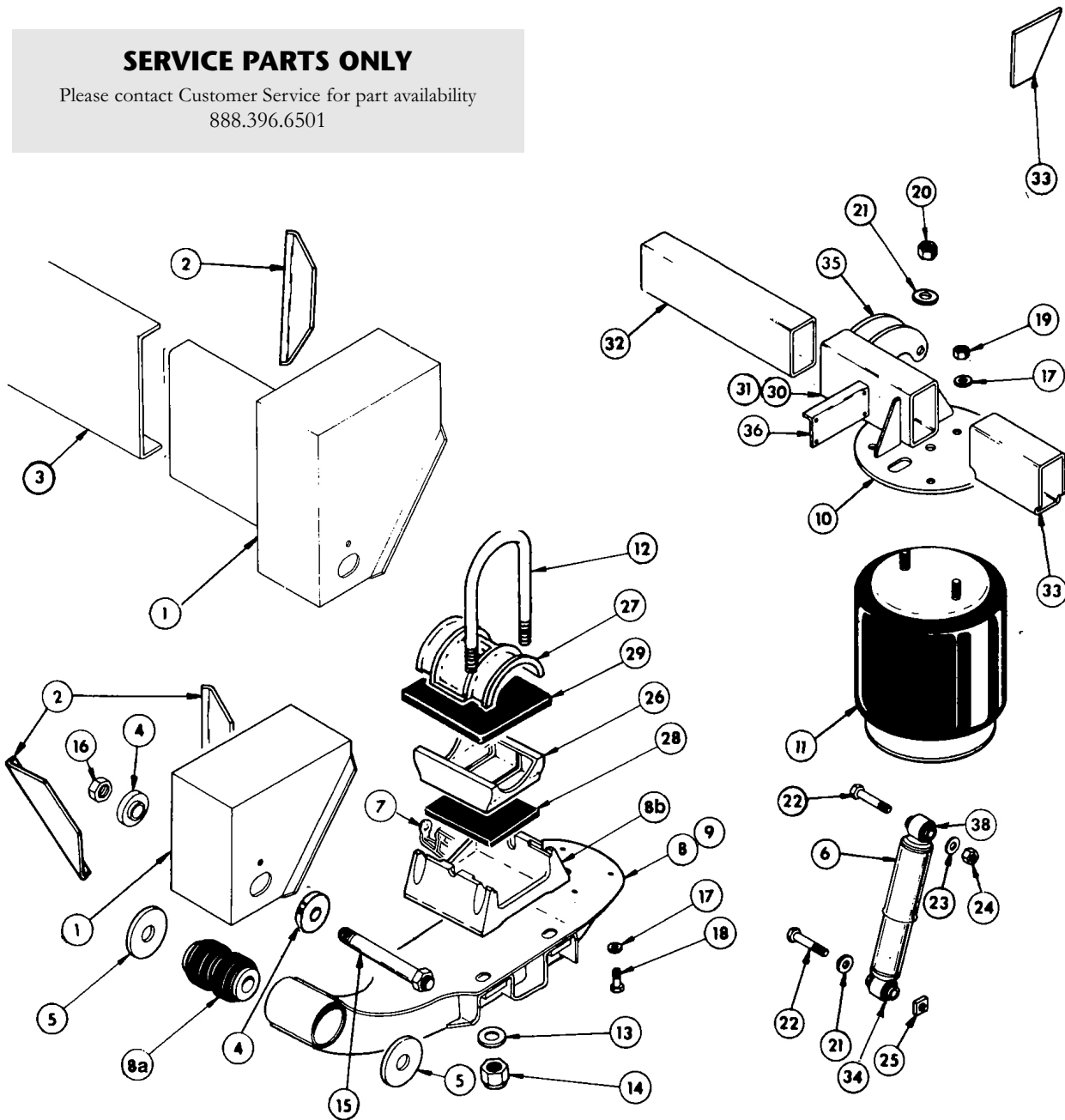
AR-93-14, -15, -16, -17 PARTS LIST

ITEM	PART NO.	DESCRIPTION	QTY REQD	RIDE HEIGHT
1	905 20 346	Adjustable Frame Bracket	2	14
	905 19 710	Adjustable Frame Bracket	2	15
	905 20 235	Adjustable Frame Bracket	2	16,17
2	900 23 002	Angle Brace	4	14,15
	900 23 001	Angle Brace	4	16,17
3	900 36 177	Spacer Washer	12	All
4	905 16 482	Equalizing Beam LH (Includes Item #4a, 4b)	1	All
	905 16 483	Equalizing Beam RH (Includes Item #4a, 4b)	1	All
4a	900 08 139	Rubber Bushing (Front Pivot)	2	All
4b	900 08 149	Rubber Bushing (Axle Connection)	4	All
5	905 01 289	Axle Adapter LH (Includes Item #22)	1	All
	905 01 290	Axle Adapter RH (Includes Item #22)	1	All
6	934 00 492	Lock Nut 3/4 - 10	2	All
7	930 03 597	Cap Screw 3/4 - 10 x 3 1/2"	2	All
8	905 57 117	Air Spring Assembly	2	14
	905 57 118	Air Spring Assembly	2	15,16
	905 57 119	Air Spring Assembly	2	17
9	934 00 506	Lock Nut 1 1/8 - 7	6	All
10	900 33 785	Air Spring Mounting Plate	2	All
	900 45 054	Shock Absorber	2	14
	900 44 794	Shock Absorber	2	15
	900 44 642	Shock Absorber	2	16
	900 44 089	Shock Absorber	2	17
12	932 01 051	Cap Screw 1 1/8 - 7 x 8 1/2"	4	All
13	932 01 055	Cap Screw 1 1/8 - 7 x 9 1/4"	2	All
14	936 00 072	Lock Washer 1/2"	4	All
15	900 08 147	Alignment Bushing	4	All
16	930 03 609	Cap Screw 3/4 - 10 x 4"	2	All
17	934 00 149	Hex Nut 3/4 - 16	2	All
18	936 00 077	Lock Washer 3/4"	4	All
19	934 00 136	Hex Nut 1/2 - 13	4	All
20	905 08 004	Replacement Shock Bushing	8	All
21	900 18 515	Upper Shock Bracket	2	All
22	905 19 773	Lower Shock Bracket	2	All
23	934 00 367	Square Nut 3/4 - 10	2	All
Service Repair Kits				
	481 00 202	SRK-145 - Pivot Connection	1	All
	481 00 206	SRK-149 - Axle Connection (5" Round, 20" Wheel)	1	All

AR-95-9-HD, -12-HD, -14-HD, -17-HD EXPLODED VIEW

SERVICE PARTS ONLY

Please contact Customer Service for part availability
888.396.6501

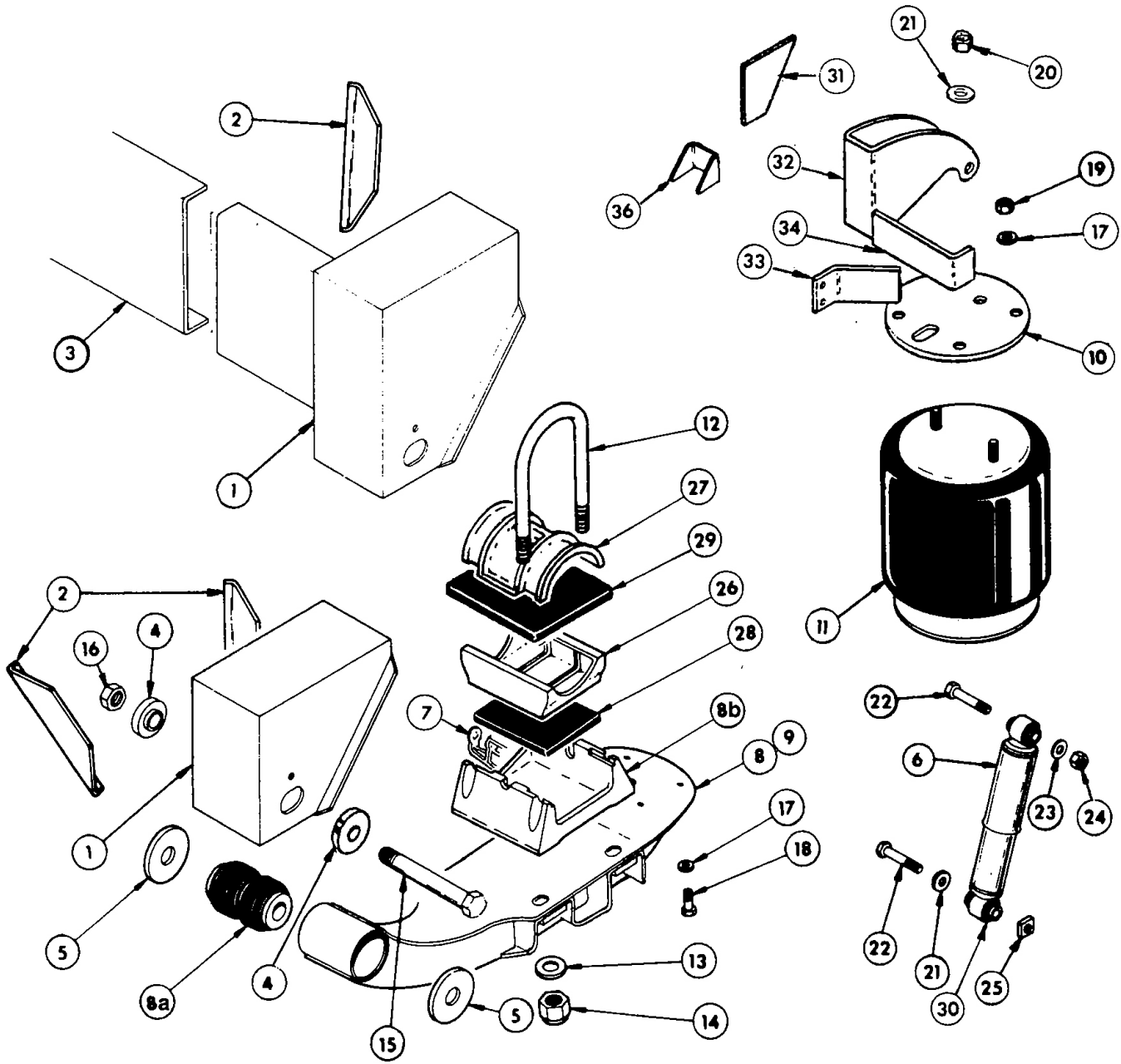


Key	Part Number	Description	Qty Req'd	Model	Ride Height
Service Components					
1	905 18 714	Frame Bracket Assembly Adjustable	2	AR-95	9-HD,12-HD
	905 18 719	Frame Bracket Assembly RH Fixed (Includes key #4)	1	AR-95	14-HD,17-HD
	905 18 720	Frame Bracket Assembly LH Adjustable	1	AR-95	14-HD,17-HD
2	900 23 866	Angle Brace	4	AR-95	9-HD,12-HD
	900 23 918	Angle Brace LH	1	AR-95	14-HD,17-HD
	900 23 919	Angle Brace RH	1	AR-95	14-HD,17-HD
3	410 23 327	Channel	1	AR-95	14-HD,17-HD
4	900 08 092	Adjusting Bushing	4	AR-95	All
5	900 36 177	Spacer Washer	4	AR-95	All
6	900 44 625	Shock Absorber	2	AR-95	All

AR-95-9-HD, -12-HD, -14-HD, -17-HD PARTS LIST

Key	Part Number	Description	Qty Req'd	Model	Ride Height
Service Components (continued)					
7	900 18 179	Lower Shock Bracket	2	AR-95	All
8	905 16 225	Equalizing Beam Assembly LH (Includes key #8a, 8b, 7)	1	AR-95	12-HD,17-HD
	905 16 295	Equalizing Beam Assembly LH (Includes key #8a, 8b, 7)	1	AR-95	9-HD,14-HD
8a	900 08 139	Rubber Bushing	2	AR-95	All
8b	900 01 131	Beam Seat	2	AR-95	12-HD,17-HD
	905 01 181	Beam Seat	2	AR-95	9-HD,14-HD
9	905 16 226	Equalizing Beam Assembly RH (Includes key #8a, 8b, 7)	1	AR-95	12-HD,17-HD
	905 16 296	Equalizing Beam Assembly RH (Includes key #8a, 8b, 7)	1	AR-95	9-HD,14-HD
10	900 33 785	Air Spring Mounting Plate	2	AR-95	All
11	905 57 077	Air Spring Assembly	2	AR-95	All
12	900 41 394	U-Bolt 1-8 x 12" 5" Rd	4	AR-95	9-HD,14-HD
	900 41 382	U-Bolt 1-8 x 9" 5" Rd	4	AR-95	12-HD,17-HD
	900 42 795	U-Bolt 1-8 x 12 1/2" 5" Sq	4	AR-95	9-HD,14-HD
	900 41 997	U-Bolt 1-8 x 9 1/2" 5" Sq	4	AR-95	12-HD,17-HD
13	939 00 027	Flat Washer 1"	8	AR-95	All
14	934 00 502	Lock Nut 1"-8	8	AR-95	All
15	932 01 055	Bolt 1 1/8-7 x 9 1/4"	2	AR-95	All
16	934 00 506	Lock Nut 1 1/8-7	2	AR-95	All
17	936 00 072	Lock Washer 1/2"	14	AR-95	All
18	930 02 893	Bolt 1/2"-13 x 1"	6	AR-95	All
19	934 00 136	Hex Nut 1/2"-13	8	AR-95	All
20	934 00 149	Hex Nut 3/4"-16	2	AR-95	All
21	936 00 077	Lock Washer 3/4"	4	AR-95	All
22	930 03 603	Cap Screw 3/4"-10 x 3 3/4"	4	AR-95	All
23	936 00 156	Flat Washer 3/4"	2	AR-95	All
24	934 00 492	Lock Nut 3/4"-10	2	AR-95	All
25	934 00 367	Square Nut 3/4"-10	2	AR-95	All
26	900 01 082	Axle Adapter 5" Rd	2	AR-95	All
	900 01 083	Axle Adapter 5" Sq	2	AR-95	All
27	900 10 002	Axle Cap 5" Rd	2	AR-95	All
	900 10 022	Axle Cap 5" Sq	2	AR-95	All
28	900 28 083	Rubber Pad	2	AR-95	All
29	900 28 007	Rubber Wrapper 5" Rd	2	AR-95	All
	900 28 005	Rubber Wrapper 5" Sq	2	AR-95	All
30	905 18 726	Crossmember Assembly LH (Includes key #10, 35, 36)	1	AR-95	14-HD,17-HD
	905 18 727	Crossmember Assembly LH (Includes key #10, 35, 36)	1	AR-95	9-HD,12-HD
31	905 18 753	Crossmember Assembly RH (Includes key #10, 35, 36)	1	AR-95	14-HD,17-HD
	905 18 754	Crossmember Assembly RH (Includes key #10, 35, 36)	1	AR-95	9-HD,12-HD
32	905 38 008	Channel Assembly	1	AR-95	All
33	905 38 007	Channel Assembly	2	AR-95	9-HD,12-HD
	900 32 137	Gusset	2	AR-95	14-HD,17-HD
34	905 08 004	Replacement Shock Bushing	8	AR-95	All
35	900 18 322	Upper Shock Bracket	2	AR-95	All
36	900 23 865	Bracket	2	AR-95	All
Service Repair Kits					
	481 00 112	SRK-68 - Axle Connection (5" Square, 20" Wheels)	1	AR-95	12-HD,17-HD
	481 00 186	SRK-132 - Axle Connection (5" Round Heavy Duty)	1	AR-95	9-HD,14-HD
	481 00 202	SRK-145 - Pivot Connection	1	AR-95	All

AR-95A-9-HD, -12-HD, -14-HD, -17-HD EXPLODED VIEW



SERVICE PARTS ONLY

Please contact Customer Service for part availability
888.396.6501

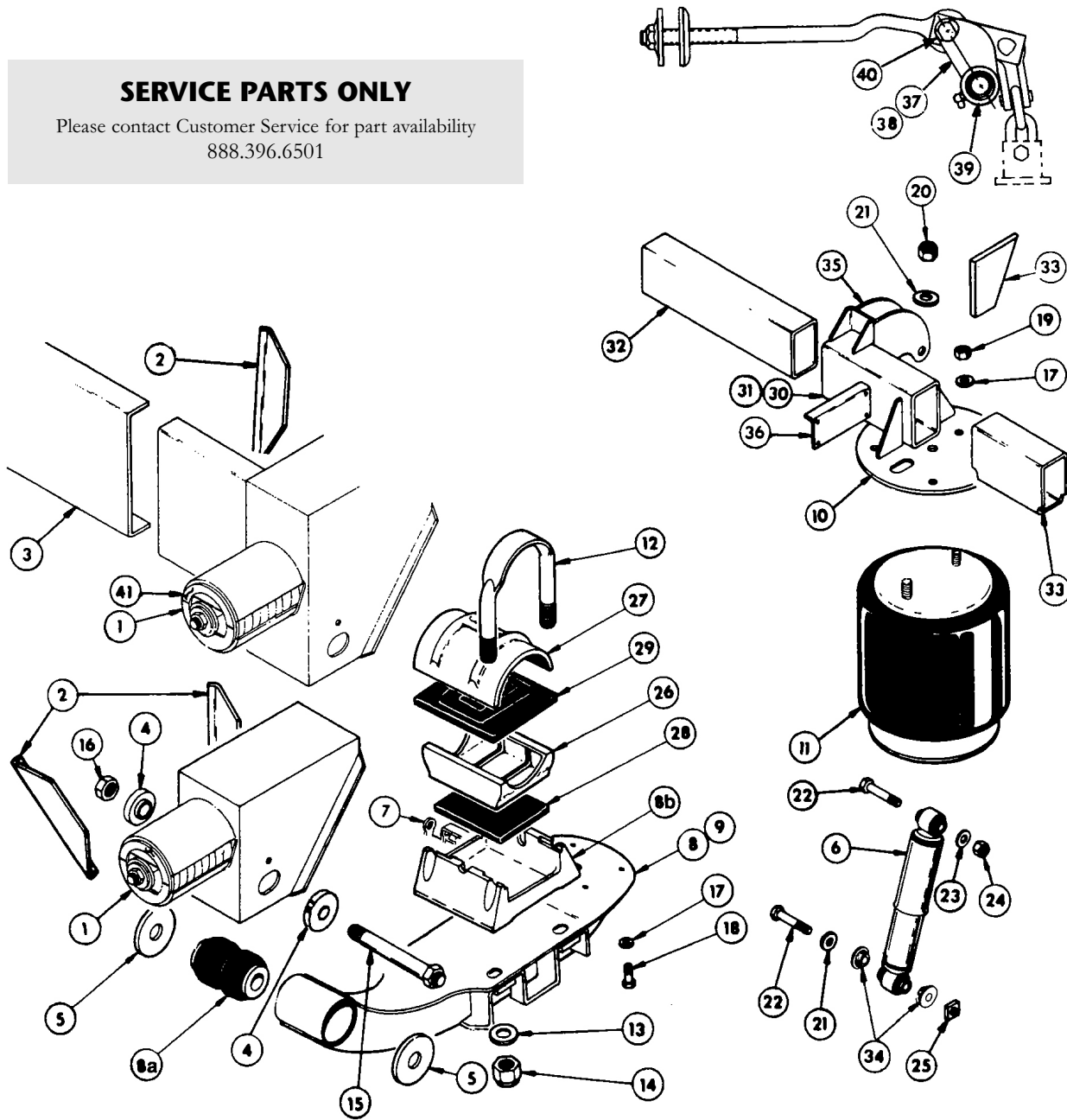
AR-95A-9-HD, -12-HD, -14-HD, -17-HD PARTS LIST

Key	Part Number	Description	Qty Req'd	Model	Ride Height
Service Components					
1	905 18 714	Frame Bracket Assembly Adjustable	2	AR-95A	9-HD,12-HD
	905 18 719	Frame Bracket Assembly Fixed RH (Includes key #4)	1	AR-95A	14-HD,17-HD
	905 18 720	Frame Bracket Assembly Adjustable LH	1	AR-95A	14-HD,17-HD
2	900 23 866	Angle Brace	4	AR-95A	9-HD,12-HD
	900 23 918	Angle Brace LH	1	AR-95A	14-HD,17-HD
	900 23 919	Angle Brace RH	1	AR-95A	14-HD,17-HD
3	410 23 327	Channel	1	AR-95A	14-HD,17-HD
4	900 08 092	Adjusting Bushing	4	AR-95A	All
5	900 36 177	Spacer Washer	4	AR-95A	All
6	900 44 625	Shock Absorber	2	AR-95A	All
7	905 19 749	Lower Shock Bracket	2	AR-95A	All
8	905 16 377	Equalizing Beam Assy LH (Includes key #8a, 8b, 7)	1	AR-95A	9-HD,14-HD
	905 16 375	Equalizing Beam Assy LH (Includes key #8a, 8b, 7)	1	AR-95A	12-HD,17-HD
8a	900 08 139	Rubber Bushing	1	AR-95A	All
8b	905 01 181	Beam Seat	1	AR-95A	9-HD,14-HD
	900 01 131	Beam Seat	1	AR-95A	12-HD,17-HD
9	905 16 378	Equalizing Beam Assy RH (Includes key #8a, 8b, 7)	1	AR-95A	9-HD,14-HD
	905 16 376	Equalizing Beam Assy RH (Includes key #8a, 8b, 7)	1	AR-95A	12-HD,17-HD
10	900 33 785	Air Spring Mounting Plate	1	AR-95A	All
11	905 57 077	Air Spring Assembly	2	AR-95A	All
12	900 41 394	U-Bolt 1"-8 x 12" 5" Rd	4	AR-95A	9-HD,14-HD
	900 41 382	U-Bolt 1"-8 x 9" 5" Rd	4	AR-95A	12-HD,17-HD
	900 42 836	U-Bolt 1 - 8 x 9 1/2" 5" Sq	4	AR-95A	12-HD,17-HD
	900 42 846	U-Bolt 1 - 8 x 12 1/2" 5" Sq	4	AR-95A	9-HD,14-HD
13	939 00 027	Flat Washer 1"	8	AR-95A	All
14	934 00 502	Lock Nut 1" - 8	8	AR-95A	All
15	932 01 055	Bolt 1 1/8"-7 x 9 1/4"	2	AR-95A	All
16	934 00 506	Lock Nut 1 1/8"-7	2	AR-95A	All
17	936 00 072	Lock Washer 1/2"	8	AR-95A	All
18	930 02 905	Bolt 1/2"-13 x 1 1/2"	6	AR-95A	All
19	934 00 136	Hex Nut 1/2"-13	2	AR-95A	All
20	934 00 149	Hex Nut 3/4"-16	2	AR-95A	All
21	936 00 077	Lock Washer 3/4"	4	AR-95A	All
22	930 03 597	Bolt 3/4"-10 x 3 1/2"	4	AR-95A	All
23	936 00 156	Flat Washer 3/4"	2	AR-95A	All
24	934 00 492	Lock Nut 3/4"-10	2	AR-95A	All
25	934 00 367	Square Nut 3/4"-10	2	AR-95A	All
26	900 01 132	Axle Adapter 5" Rd	2	AR-95A	All
	900 01 133	Axle Adapter 5" Sq	2	AR-95A	All
27	900 10 002	Axle Cap 5" Rd	2	AR-95A	All
	900 10 047	Axle Cap 5" Sq	2	AR-95A	All
28	900 28 083	Rubber Pad	2	AR-95A	All
29	900 28 007	Rubber Wrapper 5" Rd	2	AR-95A	All
	900 28 073	Rubber Wrapper 5" Sq	2	AR-95A	All
30	905 08 004	Replacement Shock Bushing	8	AR-95A	All
31	900 32 137	Gusset	2	AR-95A	14-HD,17-HD
32	900 18 427	Upper Shock Bracket	2	AR-95A	All
33	900 18 527	Bracket	2	AR-95A	All
34	900 24 664	Support	2	AR-95A	All
35	900 23 876	Reinforcement Bracket	2	AR-95A	All
Service Repair Kits					
	481 00 186	SRK-132 - Axle Connection (5" Round Heavy Duty)	1	AR-95A	9-HD,14-HD
	481 00 202	SRK-145 - Pivot Connection	1	AR-95A	All

AR-955-9, -12, -14, -17 EXPLODED VIEW

SERVICE PARTS ONLY

Please contact Customer Service for part availability
888.396.6501

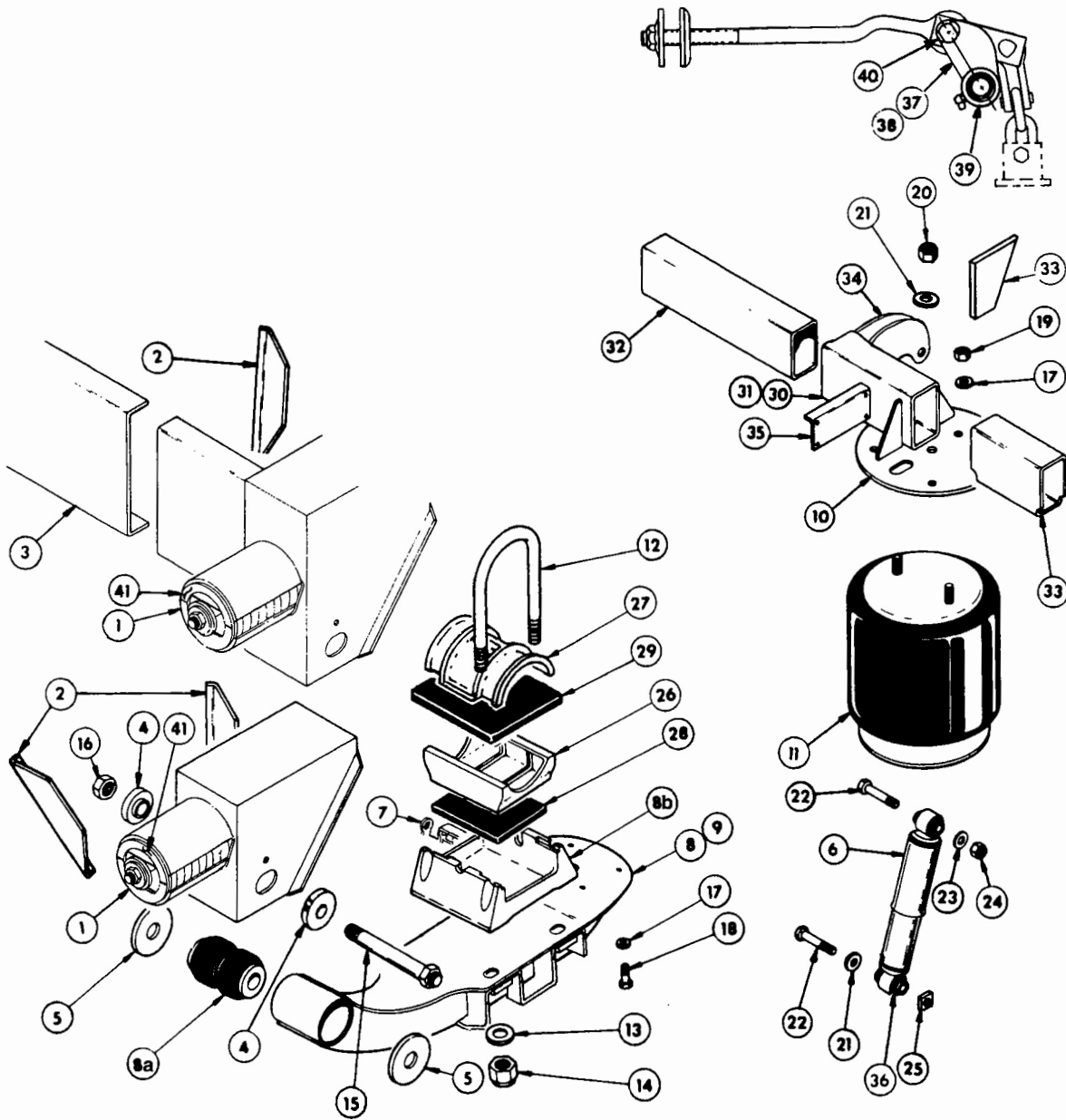


Key	Part Number	Description	Qty Req'd	Model	Ride Height
Service Components					
1	905 19 985	Frame Bracket Assembly LH Adjustable	2	AR-955	9, 12
	905 19 986	Frame Bracket Assembly RH Fixed (Includes key #4)	1	AR-955	14, 17
	905 19 987	Frame Bracket Assembly LH Adjustable	1	AR-955	14, 17
2	900 23 866	Angle Brace	4	AR-955	9, 12
	900 23 918	Angle Brace LH	1	AR-955	14, 17
	900 23 919	Angle Brace RH	1	AR-955	14, 17
3	410 23 327	Channel	1	AR-955	14, 17
4	900 08 092	Adjusting Bushing	4	AR-955	All
5	900 36 177	Spacer Washer	4	AR-955	All
6	900 44 625	Shock Absorber	2	AR-955	All
7	900 18 179	Lower Shock Bracket	2	AR-955	All

AR-955-9, -12, -14, -17 PARTS LIST

Key	Part Number	Description	Qty Req'd	Model	Ride Height
Service Components (continued)					
8	905 15 720	Equalizing Beam Assembly LH (Includes key #8a, 8b, 7)	1	AR-955	9, 14
	905 15 637	Equalizing Beam Assembly LH (Includes key #8a, 8b, 7)	1	AR-955	12, 17
8a	900 08 139	Rubber Bushing	2	AR-955	All
8b	900 01 008	Beam Seat	2	AR-955	9, 14
	900 01 006	Beam Seat	2	AR-955	12, 17
9	905 15 721	Equalizing Beam Assembly RH (Includes key #8a, 8b, 7)	1	AR-955	9, 14
	905 15 638	Equalizing Beam Assembly RH (Includes key #8a, 8b, 7)	1	AR-955	12, 17
10	900 33 785	Air Spring Mounting Plate	2	AR-955	All
11	905 57 077	Air Spring Assembly	2	AR-955	All
12	900 42 792	U-Bolt 1"-8 x 12 1/2" 5" Rd	4	AR-955	9, 14
	900 41 878	U-Bolt 1"-8 x 9" 5" Rd	4	AR-955	12, 17
	900 42 795	U-Bolt 1"-8 x 12 1/2" 5" Sq	4	AR-955	9, 14
	900 41 997	U-Bolt 1"-8 x 9 1/2" 5" Sq	4	AR-955	12, 17
13	939 00 027	Flat Washer 1"	8	AR-955	All
14	934 00 502	Lock Nut 1" - 8	8	AR-955	All
15	932 01 055	Bolt 1 1/8" - 7 x 9 1/4"	2	AR-955	All
16	934 00 506	Lock Nut 1 1/8" - 7	2	AR-955	All
17	936 00 072	Lock Washer 1/2"	8	AR-955	All
18	930 02 893	Bolt 1/2" - 13 x 1"	6	AR-955	All
19	934 00 136	Hex Nut 1/2" - 13	2	AR-955	All
20	934 00 149	Hex Nut 3/4" - 16	2	AR-955	All
21	936 00 077	Lock Washer 3/4"	4	AR-955	All
22	930 03 603	Bolt 3/4"-10 x 3 3/4"	4	AR-955	All
23	936 00 156	Washer, HT 3/4"	2	AR-955	All
24	934 00 492	Lock Nut 3/4" - 10	2	AR-955	All
25	934 00 367	Square Nut 3/4" - 10	2	AR-955	All
26	900 01 082	Axle Adapter 5" Rd	2	AR-955	All
	900 01 083	Axle Adapter 5" Sq	2	AR-955	All
27	900 10 032	Axle Cap 5" Rd	2	AR-955	All
	900 10 022	Axle Cap 5" Sq	2	AR-955	All
28	900 28 083	Rubber Pad	2	AR-955	All
29	900 28 047	Rubber Wrapper 5" Rd	2	AR-955	All
	900 28 073	Rubber Wrapper 5" Sq	2	AR-955	All
30	905 18 727	Crossmember Assembly LH (Includes key #35, 36)	1	AR-955	9, 12
	905 18 726	Crossmember Assembly LH (Includes key #35, 36)	1	AR-955	14, 17
31	905 18 754	Crossmember Assembly RH (Includes key #35, 36)	1	AR-955	9, 12
	905 18 753	Crossmember Assembly RH (Includes key #35, 36)	1	AR-955	14, 17
32	905 38 008	Channel Assembly	1	AR-955	All
33	905 38 007	Channel Assembly	2	AR-955	9, 12
	900 32 137	Gusset	2	AR-955	14, 17
34	905 08 004	Replacement Shock Bushing	8	AR-955	All
35	900 18 322	Upper Shock Bracket	2	AR-955	All
36	900 23 865	Bracket	2	AR-955	All
For Coil Spring Lift Replacement Parts, refer to Service Repair Kits listed below:					
37	481 00 144	SRK-96 Cam Assembly (1")	1	AR-955	All
38	481 00 151	SRK-103 Coil Lift Kit 1/2" Pin	1	AR-955	All
39	481 00 144	SRK-96 Lower Cam Pin (1")	1	AR-955	All
40	481 00 144	SRK-96 Upper Cam Pin	1	AR-955	All
41	481 00 216	SRK-159 Coil Spring Replacement	2	AR-955	All
Service Repair Kits					
	481 00 108	SRK-64 - Axle Connection (5" Round)	1	AR-955	12, 17
	481 00 112	SRK-68 - Axle Connection (5" Square, 20" Wheels)	1	AR-955	12, 17
	481 00 181	SRK-128 - Axle Connection (5" Round)	1	AR-955	9, 14
	481 00 202	SRK-145 - Pivot Connection	1	AR-955	All

AR-955-9-HD, -12-HD, -14-HD, -17-HD EXPLODED VIEW



SERVICE PARTS ONLY

Please contact Customer Service for part availability
888.396.6501

Key	Part Number	Description	Qty Req'd	Model	Ride Height
Service Components					
1	905 19 985	Frame Bracket Assembly LH Adjustable	2	AR-955	9-HD, 12-HD
	905 19 986	Frame Bracket Assembly RH Fixed (Includes key #4)	1	AR-955	14-HD, 17-HD
	905 19 987	Frame Bracket Assembly LH Adjustable	1	AR-955	14-HD, 17-HD
2	900 23 866	Angle Brace	4	AR-955	9-HD, 12-HD
	900 23 918	Angle Brace LH	1	AR-955	14-HD, 17-HD
	900 23 919	Angle Brace RH	1	AR-955	14-HD, 17-HD
3	410 23 327	Channel	1	AR-955	14-HD, 17-HD
4	900 08 092	Adjusting Bushing	4	AR-955	All
5	900 36 177	Spacer Washer	4	AR-955	All

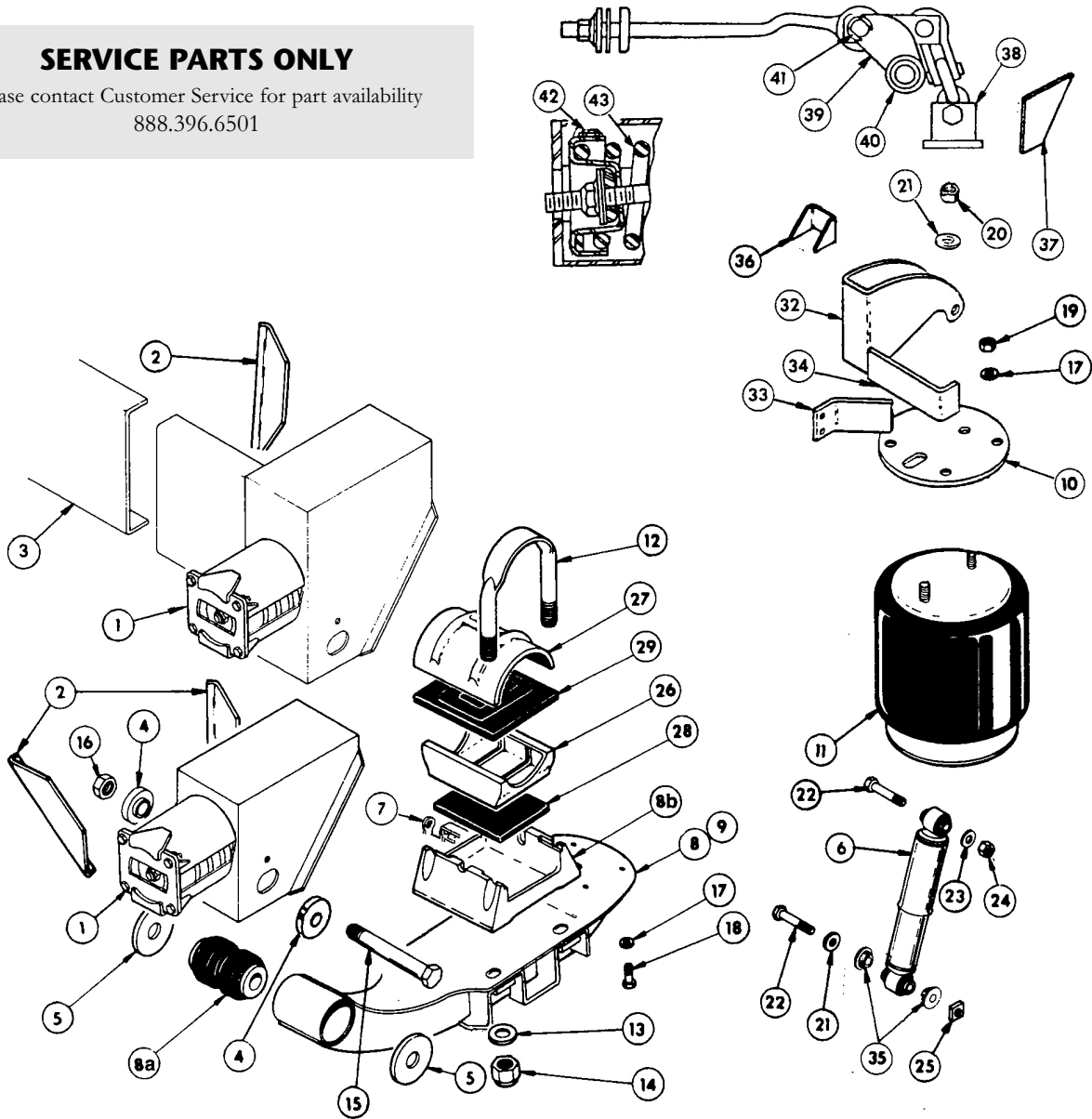
AR-955-9-HD, -12-HD, -14-HD, -17-HD PARTS LIST

Key	Part Number	Description	Qty Req'd	Model	Ride Height
Service Components (continued)					
6	900 44 625	Shock Absorber	2	AR-955	All
7	900 18 179	Lower Shock Bracket	2	AR-955	All
8	905 15 867	Equalizing Beam Assembly LH (Includes key #8a, 8b, 7)	1	AR-955	9-HD, 14-HD
	905 15 785	Equalizing Beam Assembly LH (Includes key #8a, 8b, 7)	1	AR-955	12-HD, 17-HD
8a	900 08 139	Rubber Bushing	2	AR-955	All
8b	905 01 128	Beam Seat	2	AR-955	9-HD, 14-HD
	900 01 119	Beam Seat	2	AR-955	12-HD, 17-HD
9	905 15 868	Equalizing Beam Assembly RH (Includes key #8a, 8b, 7)	1	AR-955	9-HD, 14-HD
	905 15 786	Equalizing Beam Assembly RH (Includes key #8a, 8b, 7)	1	AR-955	12-HD, 17-HD
10	900 33 785	Air Spring Mounting Plate	2	AR-955	All
11	905 57 077	Air Spring Assembly	2	AR-955	All
12	900 41 394	U-Bolt 1"-8 x 12" 5" Rd	4	AR-955	9-HD, 14-HD
	900 41 382	U-Bolt 1"-8 x 9" 5" Rd	4	AR-955	12-HD, 17-HD
	900 42 795	U-Bolt 1 - 8 x 12 1/2" 5" Sq	4	AR-955	9-HD, 14-HD
	900 41 997	U-Bolt 1 - 8 x 9 1/2" 5" Sq	4	AR-955	12-HD, 17-HD
13	939 00 027	Flat Washer 1"	8	AR-955	All
14	934 00 502	Lock Nut 1" - 8	8	AR-955	All
15	932 01 055	Bolt 1 1/8" - 7 x 9 1/4"	2	AR-955	All
16	934 00 506	Lock Nut 1 1/8 - 7	2	AR-955	All
17	936 00 072	Lock Washer 1/2"	14	AR-955	All
18	930 02 893	Bolt 1/2" - 13 x 1"	6	AR-955	All
19	934 00 136	Hex Nut 1/2" - 13	8	AR-955	All
20	934 00 149	Hex Nut 3/4" - 16	2	AR-955	All
21	936 00 077	Lock Washer 3/4"	4	AR-955	All
22	930 03 603	Bolt 3/4"-10 x 3 3/4"	4	AR-955	All
23	936 00 156	Washer, HT 3/4"	2	AR-955	All
24	934 00 492	Lock Nut 3/4" - 10	2	AR-955	All
25	934 00 367	Square Nut 3/4" - 10	2	AR-955	All
26	900 01 082	Axle Adapter 5" Rd	2	AR-955	All
	900 01 083	Axle Adapter 5" Sq	2	AR-955	All
27	900 10 002	Axle Cap 5" Rd	2	AR-955	All
	900 10 022	Axle Cap 5" Sq	2	AR-955	All
28	900 28 083	Rubber Pad	2	AR-955	All
29	900 28 007	Rubber Wrapper 5" Rd	2	AR-955	All
	900 28 005	Rubber Wrapper 5" Sq	2	AR-955	All
30	905 18 727	Crossmember Assembly LH (Includes key #34, 35)	1	AR-955	9-HD, 12-HD
	905 18 726	Crossmember Assembly LH (Includes key #34, 35)	1	AR-955	14-HD, 17-HD
31	905 18 754	Crossmember Assembly RH (Includes key #34, 35)	1	AR-955	9-HD, 12-HD
	905 18 753	Crossmember Assembly RH (Includes key #34, 35)	1	AR-955	14-HD, 17-HD
32	905 38 008	Channel Assembly	1	AR-955	All
33	905 38 007	Channel Assembly	2	AR-955	9-HD, 12-HD
	900 32 137	Gusset	2	AR-955	14-HD, 17-HD
34	900 18 322	Upper Shock Bracket	2	AR-955	All
35	900 23 865	Bracket	2	AR-955	All
36	905 08 004	Replacement Shock Bushing	8	AR-955	All
For Coil Spring Lift Replacement Parts, refer to Service Repair Kits listed below:					
37	481 00 144	SRK-96 Cam Assembly (1")	1	AR-955	All
38	481 00 151	SRK-103 Coil Lift Kit 1/2" Pin	1	AR-955	All
39	481 00 144	SRK-96 Lower Cam Pin (1")	1	AR-955	All
40	481 00 144	SRK-96 Upper Cam Pin	1	AR-955	All
41	481 00 216	SRK-159 Coil Spring Replacement	2	AR-955	All
Service Repair Kits					
	481 00 112	SRK-68 - Axle Connection (5" Square, 20" Wheels)	1	AR-955	12-HD, 17-HD
	481 00 186	SRK-132 - Axle Connection (5" Round Heavy Duty)	1	AR-955	9-HD, 14-HD
	481 00 202	SRK-145 - Pivot Connection	1	AR-955	All

AR-955A-9, -12, -14, -17 EXPLODED VIEW

SERVICE PARTS ONLY

Please contact Customer Service for part availability
888.396.6501



Key	Part Number	Description	Qty Req'd	Model	Ride Height
Service Components					
1	905 19 985	Frame Bracket Assembly Adjustable	2	AR-955A	9,12
	905 19 986	Frame Bracket Assembly RH Fixed (Includes key #4)	1	AR-955A	14,17
	905 19 987	Frame Bracket Assembly Adjustable	1	AR-955A	14,17
2	900 23 866	Angle Brace	4	AR-955A	9,12
	900 23 918	Angle Brace LH	1	AR-955A	14,17
	900 23 919	Angle Brace RH	1	AR-955A	14,17
3	410 23 327	Channel	1	AR-955A	14,17
4	900 08 092	Adjusting Bushing	4	AR-955A	All
5	900 36 177	Spacer Washer	4	AR-955A	All
6	900 44 625	Shock Absorber	2	AR-955A	All
7	905 19 749	Lower Shock Bracket	2	AR-955A	All
8	905 16 096	Equalizing Beam Assy LH (Includes key #8a, 8b, 7, 38)	1	AR-955A	9,14
	905 16 092	Equalizing Beam Assy LH (Includes key #8a, 8b, 7, 38)	1	AR-955A	12,17

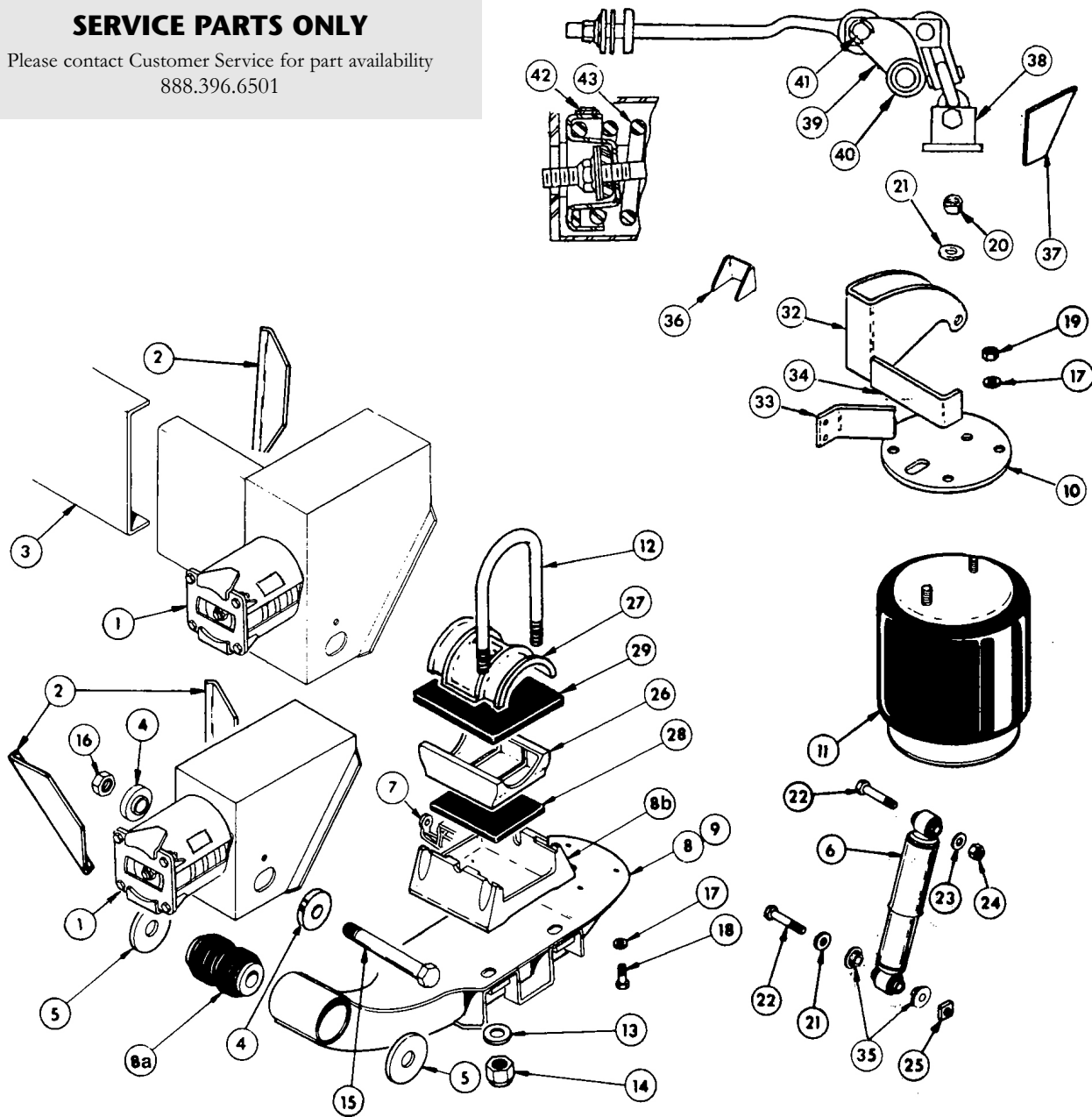
AR-955A-9, -12, -14, -17 PARTS LIST

Key	Part Number	Description	Qty Req'd	Model	Ride Height
Service Components (continued)					
8a	900 08 139	Rubber Bushing	2	AR-955A	All
8b	900 01 008	Beam Seat	2	AR-955A	9,14
	900 01 006	Beam Seat	2	AR-955A	12,17
9	905 16 097	Equalizing Beam Assy RH (Includes key #8a, 8b, 7, 38)	1	AR-955A	9,14
	905 16 093	Equalizing Beam Assy RH (Includes key #8a, 8b, 7, 38)	1	AR-955A	12,17
10	900 33 785	Air Spring Mounting Plate	2	AR-955A	All
11	905 57 077	Air Spring Assembly	2	AR-955A	All
12	900 42 792	U-Bolt 1"-8 x 12 1/2" 5" Rd	4	AR-955A	9,14
	900 41 878	U-Bolt 1"-8 x 9" 5" Rd	4	AR-955A	12,17
	900 42 836	U-Bolt 1"-8 x 9 1/2" 5" Sq	4	AR-955A	12,17
	900 42 846	U-Bolt 1"-8 x 12 1/2" 5" Sq	4	AR-955A	9,14
13	939 00 027	Flat Washer 1"	8	AR-955A	All
14	934 00 502	Lock Nut 1" - 8	8	AR-955A	All
15	932 01 055	Bolt 1 1/8" - 7 x 9 1/4"	2	AR-955A	All
16	934 00 506	Lock Nut 1 1/8 - 7	2	AR-955A	All
17	936 00 072	Lock Washer 1/2"	8	AR-955A	All
18	930 02 893	Bolt 1/2" - 13 x 1"	6	AR-955A	All
19	934 00 136	Hex Nut 1/2" - 13	2	AR-955A	All
20	934 00 149	Hex Nut 3/4" - 16	2	AR-955A	All
21	936 00 077	Lock Washer 3/4"	4	AR-955A	All
22	930 03 597	Bolt 3/4" - 10 x 3 1/2"	4	AR-955A	All
23	936 00 156	Flat Washer 3/4"	2	AR-955A	All
24	934 00 492	Lock Nut 3/4" - 10	2	AR-955A	All
25	934 00 367	Square Nut 3/4" - 10	2	AR-955A	All
26	900 01 082	Axle Adapter 5" Rd	2	AR-955A	All
	900 01 083	Axle Adapter 5" Sq	2	AR-955A	All
27	900 10 032	Axle Cap 5" Rd	2	AR-955A	All
	900 10 047	Axle Cap 5" Sq	2	AR-955A	All
28	900 28 083	Rubber Pad	2	AR-955A	All
29	900 28 047	Rubber Wrapper 5" Rd	2	AR-955A	All
	900 28 073	Rubber Wrapper 5" Sq	2	AR-955A	All
32	900 18 427	Upper Shock Bracket	2	AR-955A	All
33	900 18 527	Bracket	2	AR-955A	All
34	900 24 664	Support	2	AR-955A	All
35	905 08 004	Replacement Shock Bushing	8	AR-955A	All
36	900 23 876	Reinforcement Bracket	2	AR-955A	All
37	900 32 137	Gusset	2	AR-955A	14,17
38	905 31 040	Beam Lift Bracket	2	AR-955A	All
For Coil Spring Lift Replacement Parts, refer to Service Repair Kits listed below:					
39	481 00 215	SRK-158 - Cam Assembly	1	AR-955A	All
40	481 00 218	SRK-161 - Lower Cam Pin	1	AR-955A	All
41	481 00 219	SRK-162 - Upper Cam Pin	1	AR-955A	All
42	481 00 220	SRK-163 - Wear Band	1	AR-955A	All
43	481 00 230	SRK-173 - Coil Spring Repl. (with installation tool)	2	AR-955A	All
	481 00 250	SRK-173-1 - Coil Spring Repl. (without installation tool)	2	AR-955A	All
Service Repair Kits					
	481 00 108	SRK-64 - Axle Connection (5" Round)	1	AR-955A	12,17
	481 00 181	SRK-128 - Axle Connection (5" Round)	1	AR-955A	9,14
	481 00 202	SRK-145 - Pivot Connection	1	AR-955A	All

AR-955A-9-HD, -12-HD, -14-HD, -17-HD EXPLODED VIEW

SERVICE PARTS ONLY

Please contact Customer Service for part availability
888.396.6501

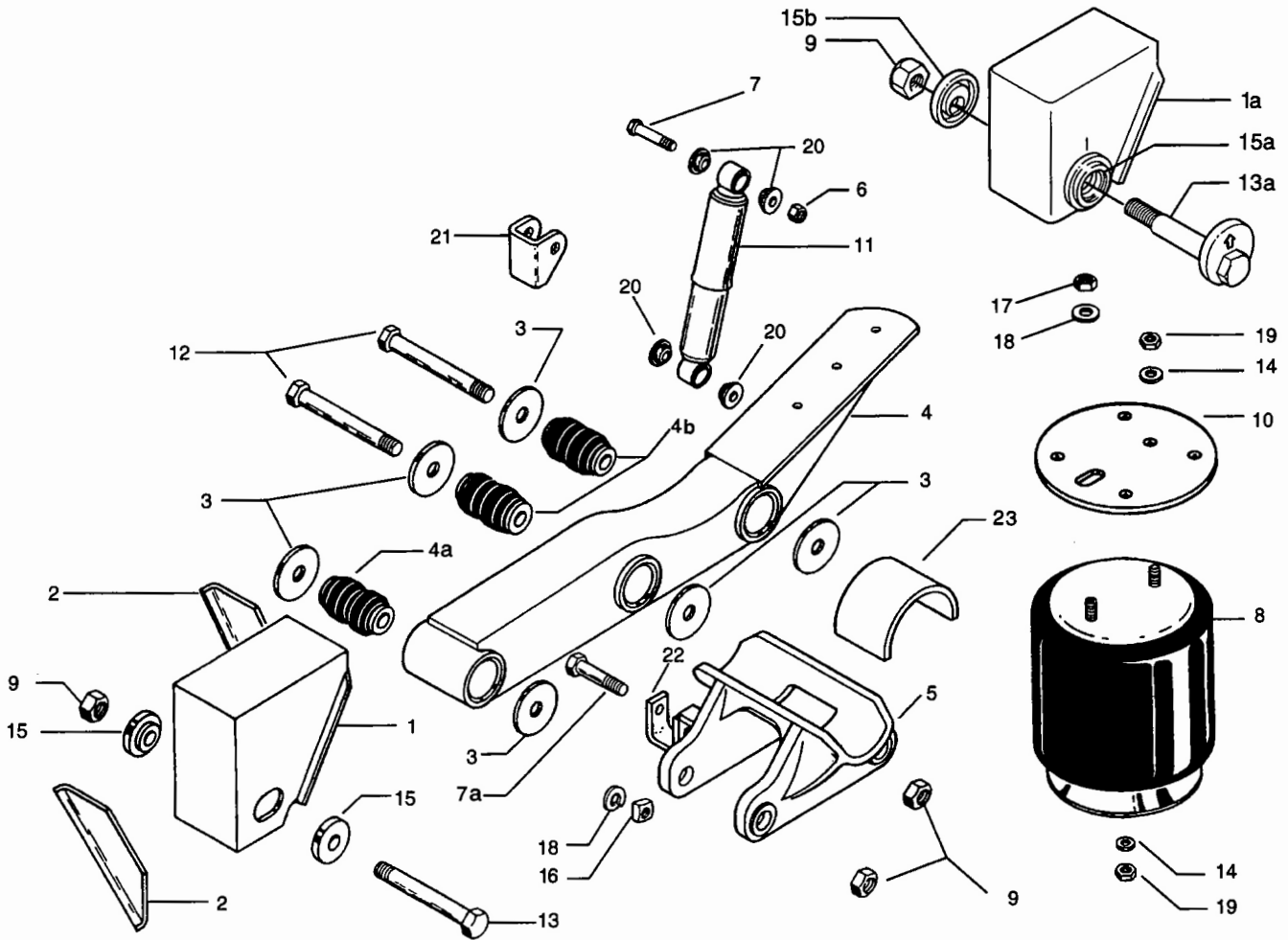


Key	Part Number	Description	Qty Req'd	Model	Ride Height
Service Components					
1	905 19 985	Frame Bracket Assembly Adjustable	2	AR-955A	9-HD,12-HD
	905 19 986	Frame Bracket Assembly RH Fixed (Includes key #4)	1	AR-955A	14-HD,17-HD
	905 19 987	Frame Bracket Assembly Adjustable	2	AR-955A	14-HD,17-HD
2	900 23 866	Angle Brace	4	AR-955A	9-HD,12-HD
	900 23 918	Angle Brace LH	1	AR-955A	14-HD,17-HD
	900 23 919	Angle Brace RH	1	AR-955A	14-HD,17-HD
3	410 23 327	Channel	1	AR-955A	14-HD,17-HD
4	900 08 092	Adjusting Bushing	4	AR-955A	All
5	900 36 177	Spacer Washer	4	AR-955A	All
6	900 44 625	Shock Absorber	2	AR-955A	All

AR-955A-9-HD, -12-HD, -14-HD, -17-HD PARTS LIST

Key	Part Number	Description	Qty Req'd	Model	Ride Height
Service Components (continued)					
7	905 19 749	Lower Shock Bracket	2	AR-955A	All
8	905 16 106	Equalizing Beam Assy LH (Includes key #8a, 8b, 7, 38)	1	AR-955A	9-HD,14-HD
	905 16 102	Equalizing Beam Assy LH (Includes key #8a, 8b, 7, 38)	1	AR-955A	12-HD,17-HD
8a	900 08 139	Rubber Bushing	2	AR-955A	All
8b	905 01 181	Beam Seat	2	AR-955A	9-HD,14-HD
	905 01 131	Beam Seat	2	AR-955A	12-HD,17-HD
9	905 16 107	Equalizing Beam Assy RH (Includes key #8a, 8b, 7, 38)	1	AR-955A	9-HD,14-HD
	905 16 103	Equalizing Beam Assy RH (Includes key #8a, 8b, 7, 38)	1	AR-955A	12-HD,17-HD
10	900 33 785	Air Spring Mounting Plate	1	AR-955A	All
11	905 57 077	Air Spring Assembly	2	AR-955A	All
12	900 41 394	U-Bolt 1"-8 x 12" 5" Rd	4	AR-955A	9-HD,14-HD
	900 41 384	U-Bolt 1"-8 x 9 1/2" 5" Rd	4	AR-955A	12-HD,17-HD
	900 42 836	U-Bolt 1"-8 x 9 1/2" 5" Sq	4	AR-955A	12-HD,17-HD
	900 42 846	U-Bolt 1"-8 x 12 1/2" 5" Sq	4	AR-955A	9-HD,14-HD
13	939 00 027	Flat Washer 1"	8	AR-955A	All
14	934 00 502	Lock Nut 1" - 8	8	AR-955A	All
15	932 01 055	Bolt 1 1/8" - 7 x 9 1/4"	2	AR-955A	All
16	934 00 506	Lock Nut 1 1/8 - 7	2	AR-955A	All
17	936 00 072	Lock Washer 1/2"	8	AR-955A	All
18	930 02 905	Bolt 1/2" - 13 x 1 1/2"	6	AR-955A	All
19	934 00 136	Hex Nut 1/2" - 13	2	AR-955A	All
20	934 00 149	Hex Nut 3/4" - 16	2	AR-955A	All
21	936 00 077	Lock Washer 3/4"	4	AR-955A	All
22	930 03 597	Bolt 3/4" - 10 x 3 1/2"	4	AR-955A	All
23	936 00 156	Flat Washer 3/4"	2	AR-955A	All
24	934 00 492	Lock Nut 3/4" - 10	2	AR-955A	All
25	934 00 367	Square Nut 3/4" - 10	2	AR-955A	All
26	900 01 132	Axle Adapter 5" Rd	2	AR-955A	All
	900 01 133	Axle Adapter 5" Sq	2	AR-955A	All
27	900 10 002	Axle Cap 5" Rd	2	AR-955A	All
	900 10 047	Axle Cap 5" Sq	2	AR-955A	All
28	900 28 083	Rubber Pad	2	AR-955A	All
29	900 28 007	Rubber Wrapper 5" Rd	2	AR-955A	All
	900 28 073	Rubber Wrapper 5" Sq	2	AR-955A	All
32	900 18 427	Upper Shock Bracket	1	AR-955A	All
33	900 18 527	Bracket	1	AR-955A	All
34	900 24 664	Support	1	AR-955A	All
35	905 08 004	Replacement Shock Bushing	8	AR-955A	All
36	900 23 876	Reinforcement Bracket	2	AR-955A	All
37	900 32 137	Gusset	2	AR-955A	14-HD,17-HD
38	905 31 040	Beam Lift Bracket	2	AR-955A	All
For Coil Spring Lift Replacement Parts, refer to Service Repair Kits listed below:					
39	481 00 215	SRK-158 - Cam Assembly	1	AR-955A	All
40	481 00 218	SRK-161 - Lower Cam Pin	1	AR-955A	All
41	481 00 219	SRK-162 - Upper Cam Pin	1	AR-955A	All
42	481 00 220	SRK-163 - Wear Band	1	AR-955A	All
43	481 00 230	SRK-173 - Coil Spring Repl. (with installation tool)	2	AR-955A	All
	481 00 250	SRK-173-1 - Coil Spring Repl. (without installation tool)	2	AR-955A	All
Service Repair Kits					
	481 00 186	SRK-132 - Axle Connection (5" Round Heavy Duty)	1	AR-955A	9-HD,14-HD
	481 00 202	SRK-145 - Pivot Connection	1	AR-955A	All

ARU-92-8, -9, -10, -12 EXPLODED VIEW



SERVICE PARTS ONLY

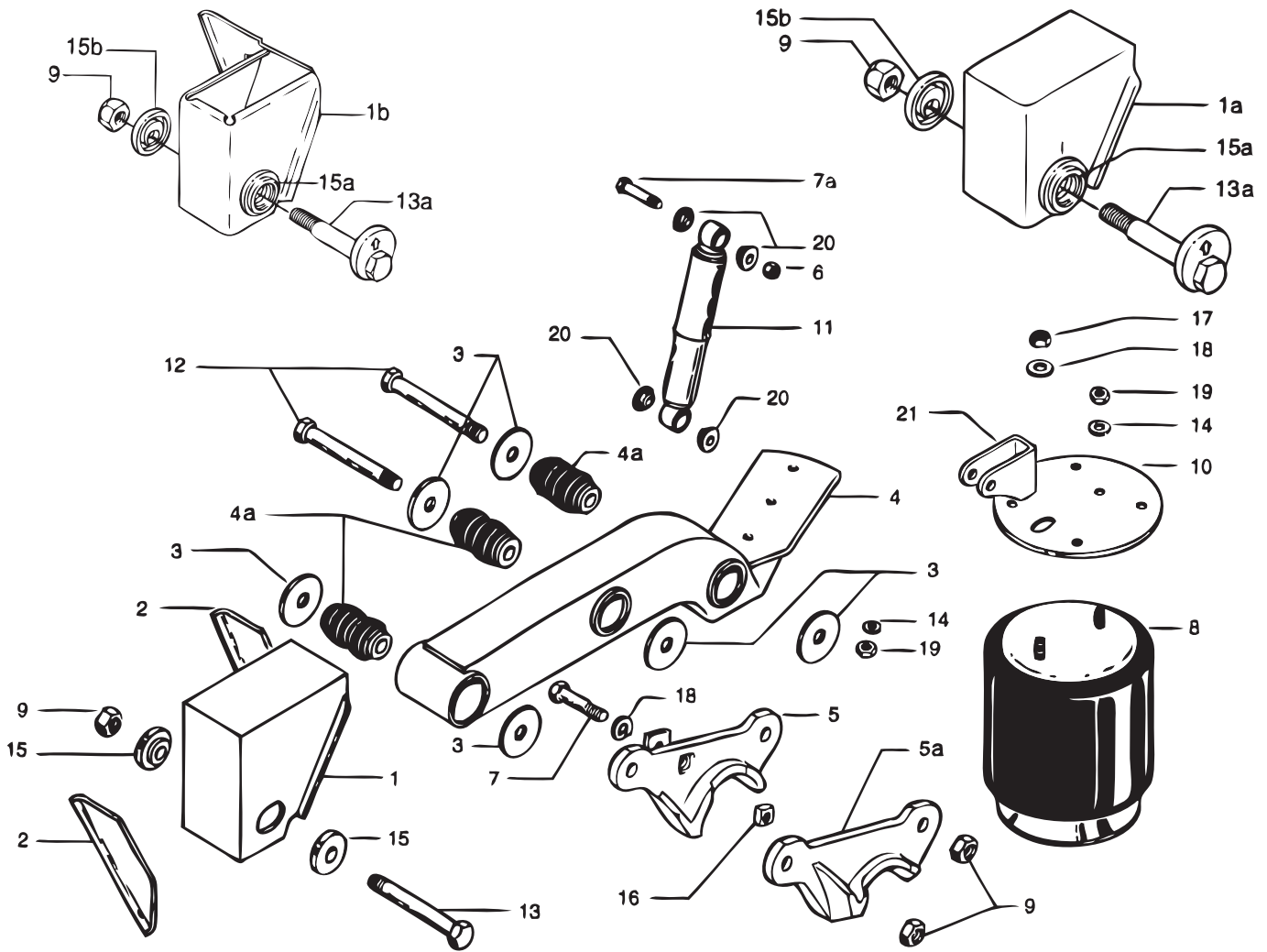
Please contact Customer Service for part availability
888.396.6501

ARU-92-8, -9, -10, -12 PARTS LIST

ITEM	PART NO.	DESCRIPTION	QTY REQD	RIDE HEIGHT
1	905 20 346	Standard Frame Bracket (Adjustable)	2*	8
	905 19 710	Standard Frame Bracket (Adjustable)	2*	9
	905 20 831	Standard Frame Bracket (Adjustable)	2*	10
	905 19 712	Standard Frame Bracket (Adjustable)	2*	12
1a	905 20 638	Non-Weld (EZ-ALIGN) Frame Bracket LH (Includes 15a)	1	8
	905 20 636	Non-Weld (EZ-ALIGN) Frame Bracket LH (Includes 15a)	1	9
	905 20 637	Non-Weld (EZ-ALIGN) Frame Bracket LH (Includes 15a)	1	10
	905 20 642	Non-Weld (EZ-ALIGN) Frame Bracket LH (Includes 15a)	1	12
2	900 23 002	Angle Brace	4	8,9
	900 23 001	Angle Brace	4	10,12
3	900 36 177	Spacer Washer	12	All
4	905 16 552	Equalizing Beam LH (Includes Item #4a, 4b)	1	All
	905 16 553	Equalizing Beam RH (Includes Item #4a, 4b)	1	All
4a	900 08 139	Rubber Bushing (Front Pivot)	2	All
4b	900 08 149	Rubber Bushing (Axle Connection)	4	All
5	905 01 263	Axle Adapter LH	1	All
	905 01 264	Axle Adapter RH	1	All
6	934 00 492	Lock Nut 3/4-10	2	All
7	930 03 597	Cap Screw 3/4 - 10 x 3 1/2" Gr5 (upper shock bracket)	2	All
7a	930 03 609	Cap Screw 3/4 - 10 x 4" Gr5 (lower shock bracket)	2	All
8	905 57 117	Air Spring Assembly	2	8
	905 57 112	Air Spring Assembly	2	9,10
	905 57 126	Air Spring Assembly	2	12
9	934 00 506	Lock Nut 1 1/8 - 7	6	All
10	900 33 785	Air Spring Mounting Plate	2	All
11	900 44 642	Shock Absorber	2	All
12	932 01 051	Cap Screw 1 1/8 - 7 x 8 1/2" Gr8	4	All
13	932 01 055	Cap Screw 1 1/8 - 7 x 9 1/4" Gr8	2*	All
13a	905 08 009	Cap Screw 1 1/8 - 7 x 9 1/4" (Non-Weld Application)	1	All
14	936 00 072	Lock Washer 1/2"	4	All
15	900 08 147	Alignment Bushing	4*	All
15a	900 08 185	Alignment Bushing (Non-Weld Application)	2	All
15b	900 08 186	Alignment Bushing (Non-Weld Application)	1	All
16	934 00 367	Square Nut 3/4 - 10	2	All
17	934 00 149	Hex Nut 3/4 - 16	2	All
18	936 00 077	Lock Washer 3/4"	4	All
19	934 00 136	Hex Nut 1/2 - 13	4	All
20	905 08 004	Replacement Shock Bushing	8	All
21	905 19 040	Upper Shock Bracket	2	All
22	905 19 773	Lower Shock Bracket	2	All
23	900 25 288	Safety Strap	2	All
Service Repair Kits				
	481 00 202	SRK-145 - Pivot Connection	1	All
	481 00 206	SRK-149 - Axle Connection (5" Round, 20" Wheel)	1	All
	481 00 294	SRK-232 - Pivot Connection, Non-Weld (EZ-ALIGN)	1	All

* For Non-Weld (EZ-ALIGN) application reduce quantity used per axle by half

RL-196-12, -14, -15, -16, -17 EXPLODED VIEW



SERVICE PARTS ONLY

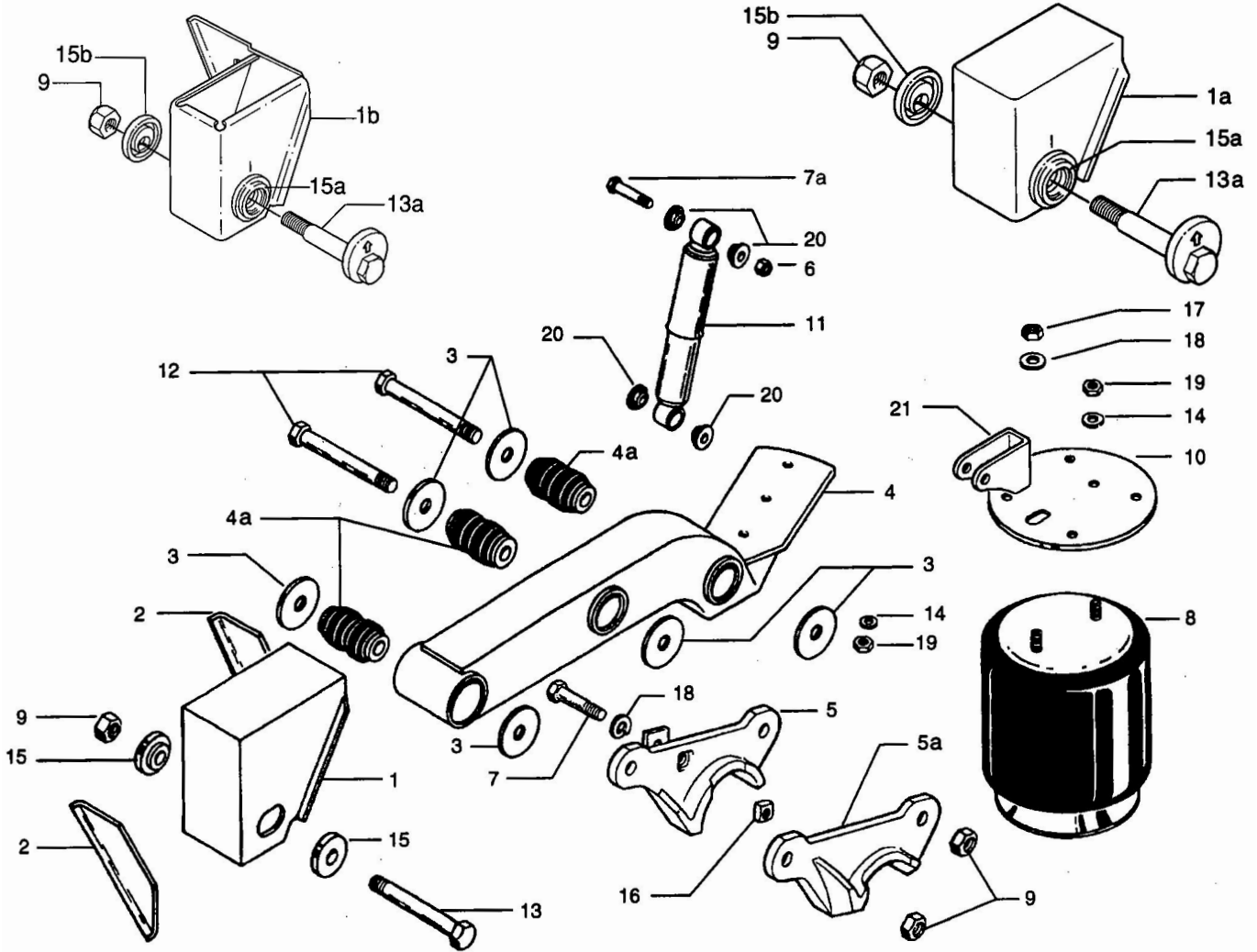
Please contact Customer Service for part availability
888.396.6501

RL-196-12, -14, -15, -16, -17 PARTS LIST

ITEM	PART NO.	DESCRIPTION	QTY REQD	RIDE HEIGHT
1	905 20 367	Adjustable Frame Bracket	2	12
	905 20 363	Adjustable Frame Bracket	2	14
	905 20 338	Adjustable Frame Bracket	2	15
	905 20 340	Adjustable Frame Bracket	2	16,17
2	900 23 002	Angle Brace	4	12,14,15
	900 23 001	Angle Brace	4	16,17
3	900 36 177	Spacer Washer	12	All
4	905 16 542	Equalizing Beam LH (Includes Item #4a)	1	All
	905 16 543	Equalizing Beam RH (Includes Item #4a)	1	All
4a	900 08 149	Rubber Bushing	6	All
5	481 00 291	Axle Adapter LH	1	All
	481 00 292	Axle Adapter RH	1	All
6	934 00 492	Lock Nut 3/4-10	2	All
7	930 03 597	Cap Screw 3/4-10 x 3 1/2"	2	All
8	905 57 127	Air Spring Assembly	2	12
	905 57 120	Air Spring Assembly	2	14
	905 57 121	Air Spring Assembly	2	15,16
	905 57 139	Air Spring Assembly	2	17
9	934 00 506	Lock Nut 1 1/8 - 7	6	All
10	900 33 785	Air Spring Mounting Plate	2	All
11	900 44 977	Shock Absorber (Includes Lower Shock Bushing)	2	12
	900 44 978	Shock Absorber (Includes Lower Shock Bushing)	2	14,15
	900 44 979	Shock Absorber (Includes Lower Shock Bushing)	2	16,17
12	932 01 051	Cap Screw 1 1/8 - 7 x 8 1/2"	4	All
13	932 01 055	Cap Screw 1 1/8 - 7 x 9 1/4"	2	All
14	936 00 072	Lock Washer 1/2"	4	All
15	900 08 147	Alignment Bushing	4	All
16	900 18 445	Upper Shock Bracket	2	All
17	934 00 149	Hex Nut 3/4 - 16	2	All
18	936 00 077	Lock Washer 3/4"	2	All
19	934 00 136	Hex Nut 1/2 - 13	4	All
20	905 08 004	Replacement Shock Bushing	4	All
21	936 00 168	Flat Washer 1"	2	All
22	934 00 500	Lock Nut 1 - 8	2	All
Service Repair Kits				
	481 00 206	SRK-149 - Axle Connection (5" Round, 20" Wheel)	1	All
	481 00 264	SRK-203 - Pivot Connection	1	All

RL-196A-12, -14, -15, -16, -17 EXPLODED VIEW

Slider Application Frame Bracket
RL-196A-14,-15



SERVICE PARTS ONLY

Please contact Customer Service for part availability
888.396.6501

RL-196A-12, -14, -15, -16, -17 PARTS LIST

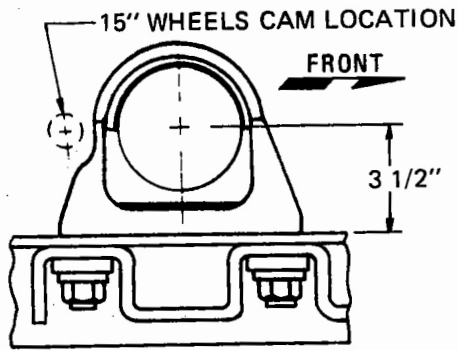
ITEM	PART NO.	DESCRIPTION	QTY REQD	RIDE HEIGHT
1	905 20 846	Adjustable Frame Bracket	2*	12
	905 20 568	Adjustable Frame Bracket	2*	14
	905 20 561	Adjustable Frame Bracket	2*	15
	905 20 843	Adjustable Frame Bracket	2*	16,17
1a	905 20 859	Non-Weld (EZ-ALIGN) Frame Bracket LH (Includes 15a)	1	12
	905 20 858	Non-Weld (EZ-ALIGN) Frame Bracket LH (Includes 15a)	1	14
	905 20 856	Non-Weld (EZ-ALIGN) Frame Bracket LH (Includes 15a)	1	15
	905 20 857	Non-Weld (EZ-ALIGN) Frame Bracket LH (Includes 15a)	1	16,17
1b**	905 20 468	Adjustable Frame Bracket RH	1	14 (Slider)
	905 20 465	Non-Weld (EZ-ALIGN) Frame Bracket LH (Includes 15a)	1	14 (Slider)
	905 20 464	Adjustable Frame Bracket RH	1	15 (Slider)
	905 20 473	Non-Weld (EZ-ALIGN) Frame Bracket LH (Includes 15a)	1	15 (Slider)
2	900 25 257	Angle Brace	4	12
	900 23 002	Angle Brace	4	14,15
	900 23 001	Angle Brace	4	16,17
3	900 36 177	Spacer Washer	12	All
4	905 16 542	Equalizing Beam LH (Includes Item #4a)	1	All
	905 16 543	Equalizing Beam RH (Includes Item #4a)	1	All
4a	900 08 149	Rubber Bushing	6	All
5	905 01 261	Axle Adapter LH (inside)	1	All
	905 01 262	Axle Adapter RH (inside)	1	All
5a	900 01 215	Axle Adapter LH (outside)	1	All
	900 01 216	Axle Adapter RH (outside)	1	All
6	934 00 492	Lock Nut 3/4-10	2	All
7	930 03 609	Cap Screw 3/4 - 10 x 4" Gr5 (lower shock bracket)	2	All
7a	930 03 597	Cap Screw 3/4 - 10 x 3 1/2" Gr5 (upper shock bracket)	2	All
8	905 57 173	Air Spring Assembly	2	12
	905 57 120	Air Spring Assembly	2	14
	905 57 121	Air Spring Assembly	2	15,16
	905 57 139	Air Spring Assembly	2	17
9	934 00 506	Lock Nut 1 1/8 - 7	6	All
10	900 33 785	Air Spring Mounting Plate	2	All
11	900 44 162	Shock Absorber	2	12
	900 45 040	Shock Absorber	2	14,15
	900 44 794	Shock Absorber	2	16,17
12	932 01 051	Cap Screw 1 1/8 - 7 x 8 1/2" Gr8	4	All
13	932 01 055	Cap Screw 1 1/8 - 7 x 9 1/4" Gr8	2*	All
13a	905 08 009	Cap Screw 1 1/8 - 7 x 9 1/4" (Non-Weld Application)	1	All
14	936 00 072	Lock Washer 1/2"	4	All
15	900 08 147	Alignment Bushing	4*	All
15a	900 08 185	Alignment Bushing (Non-Weld Application)	2	All
15b	900 08 186	Alignment Bushing (Non-Weld Application)	1	All
16	934 00 367	Square Nut 3/4 - 10	2	All
17	934 00 149	Hex Nut 3/4 - 16	2	All
18	936 00 077	Lock Washer 3/4"	4	All
19	934 00 136	Hex Nut 1/2 - 13	4	All
20	905 08 004	Replacement Shock Bushing	8	All
21	900 18 445	Upper Shock Bracket	2	All
Service Repair Kits				
	481 00 206	SRK-149 - Axle Connection (5" Round, 20" Wheel)	1	All
	481 00 264	SRK-203 - Pivot Connection	1	All
	481 00 295	SRK-233 - Pivot Connection, Non-Weld	1	All

* For Non-Weld (EZ-ALIGN) application reduce quantity used per axle by half

** For 16" and 17" ride height applications, use the standard Frame Brackets listed (Adjustable and/or Non-Weld alignments).

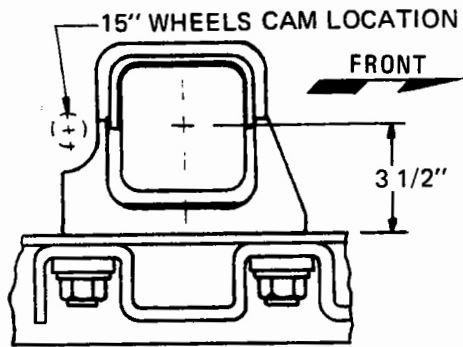
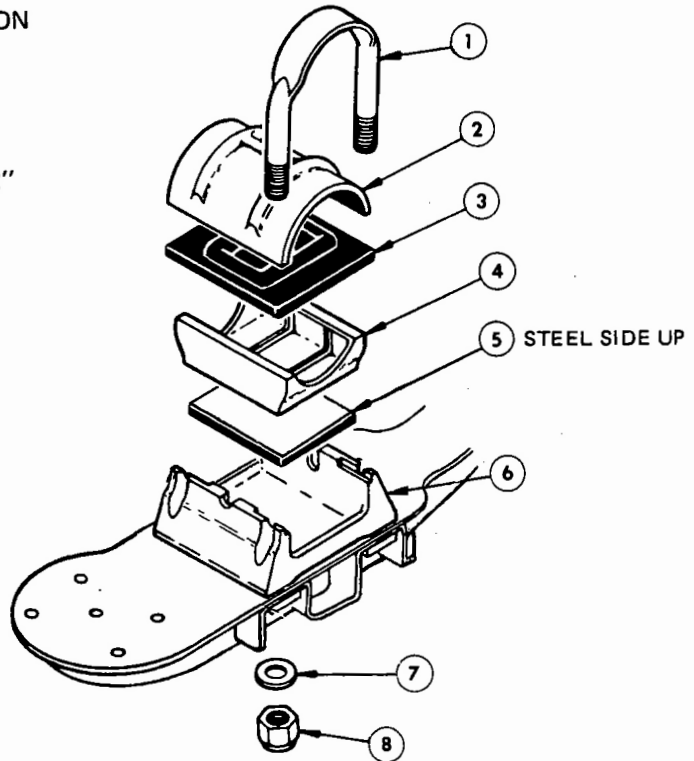
This page intentionally left blank

15" WHEEL CONNECTION-5" ROUND & 5" SQUARE



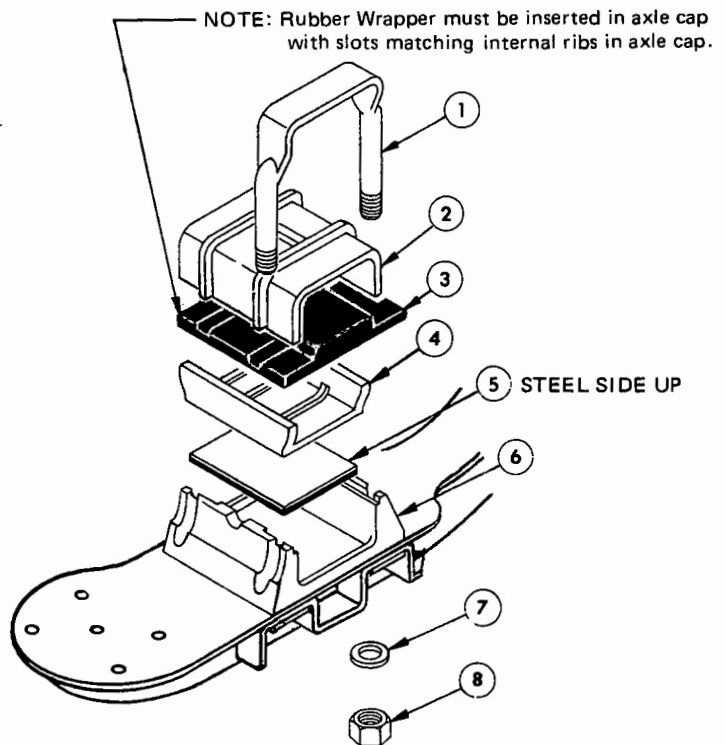
5" ROUND AXLE CONNECTION

- | | | |
|---|------------|------------------|
| 1 | 900 42 406 | U-BOLT |
| 2 | 905 10 093 | AXLE CAP |
| 3 | 900 28 047 | RUBBER WRAPPER |
| 4 | 900 01 082 | AXLE ADAPTER |
| 5 | 900 28 083 | STEEL/RUBBER PAD |
| 6 | 900 01 078 | BEAM SEAT |
| 7 | 939 00 027 | WASHER |
| 8 | 934 00 502 | LOCK NUT |

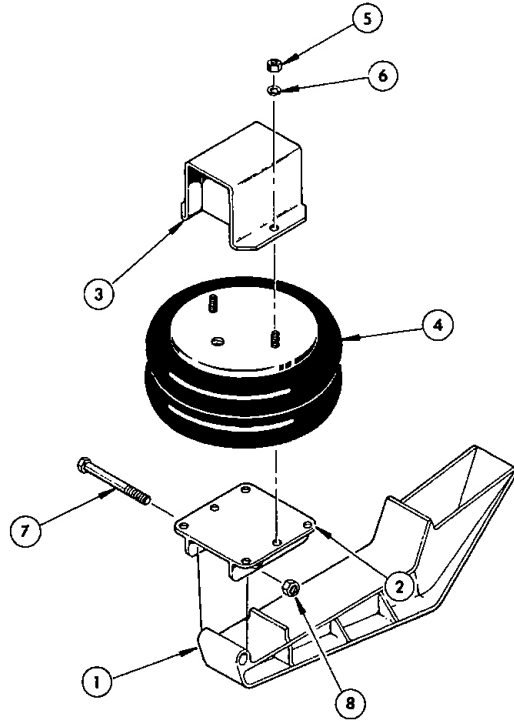


5" SQUARE AXLE CONNECTION

- | | | |
|---|------------|------------------|
| 1 | 900 42 430 | U-BOLT |
| 2 | 900 10 026 | AXLE CAP |
| 3 | 900 28 074 | RUBBER WRAPPER |
| 4 | 900 01 083 | AXLE ADAPTER |
| 5 | 900 28 083 | STEEL/RUBBER PAD |
| 6 | 900 01 086 | BEAM SEAT |
| 7 | 939 00 027 | WASHER |
| 8 | 934 00 502 | LOCK NUT |

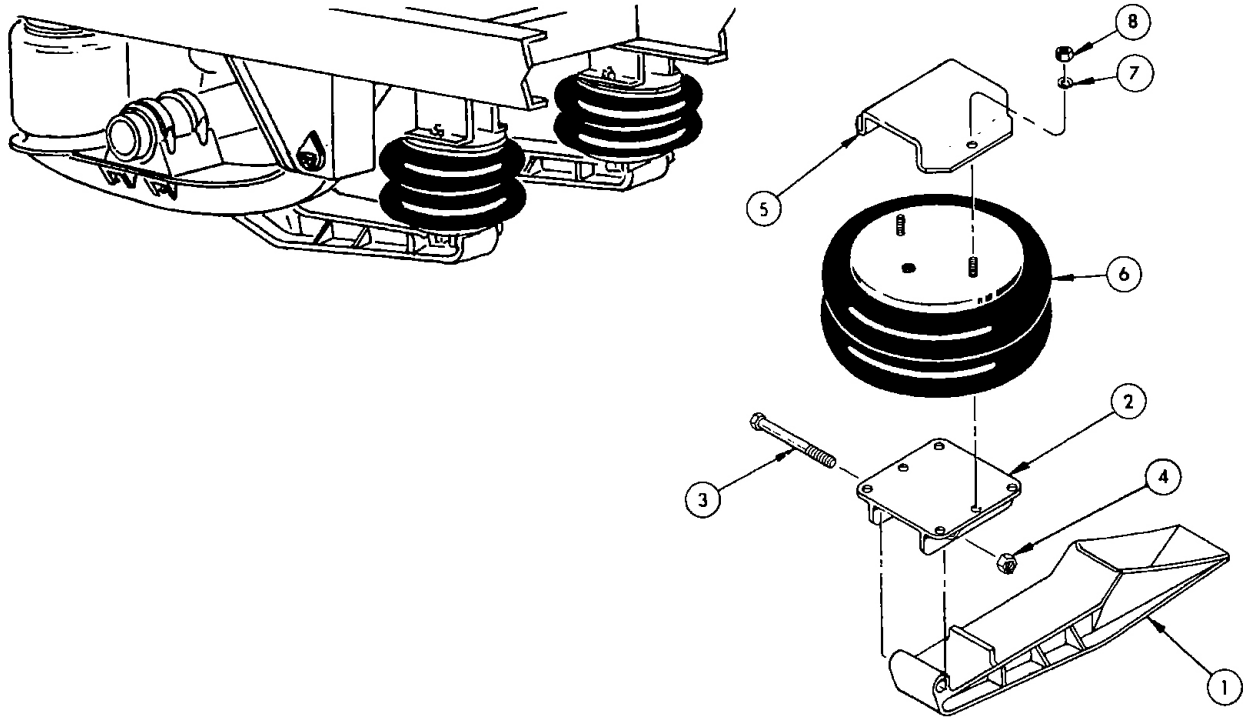


AL-41-14, -17 AIR SUSPENSION LIFT KIT, FOR TOP MOUNT SUSPENSIONS



ITEM	PART NO.	DESCRIPTION	QTY REQD	RIDE HEIGHT
1	905 44 204	Lifting Beam	2	All
2	900 01 012	Air Spring Mounting Bracket	2	All
3	905 18 036	Frame Mounting Bracket	2	14
	905 19 730	Frame Mounting Bracket	2	17
4	905 57 014	Air Spring Assembly	2	All
5	934 00 136	Hex Nut 1/2 - 13 GrB	8	All
6	936 00 072	Lock Washer 1/2	8	All
7	930 03 657	Cap Screw 3/4 - 10 x 6 Gr5	2	All
8	934 00 492	Lock Nut 3/4 - 10 GrB	2	All

AL-45-9, -12, -14, -17 AIR SUSPENSION LIFT KIT, FOR UNDERSLUNG SUSPENSIONS

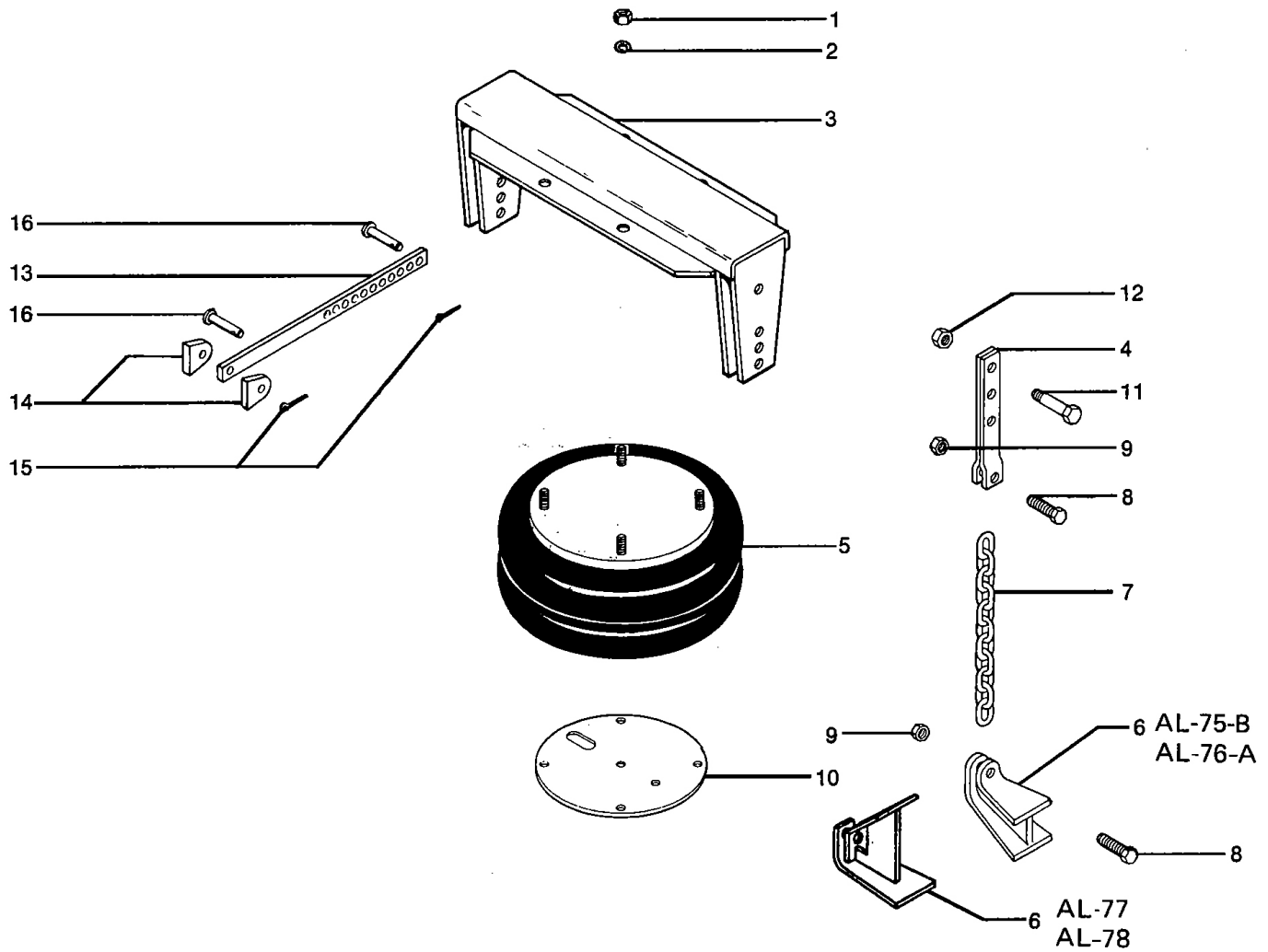


ITEM	PART NO.	DESCRIPTION	QTY REQD	RIDE HEIGHT
1	900 44 203	Lifting Beam	2	All
2	900 01 012	Air Spring Mounting Bracket	2	All
3	930 03 657	Cap Screw 3/4" - 10 x 6 Gr5	2	All
4	934 00 492	Lock Nut 3/4 - 10 GrB	2	All
5	905 18 038	Frame Mounting Bracket	2	9
	905 18 367	Frame Mounting Bracket	2	12
	905 18 748	Frame Mounting Bracket	2	14
	905 18 747	Frame Mounting Bracket	2	17
6	905 57 014	Air Spring Assembly	2	All
7	936 00 072	Lock Washer 1/2	8	All
8	934 00 136	Hex Nut 1/2 - 13 GrB	8	All

SERVICE PARTS ONLY

Please contact Customer Service for part availability
888.396.6501

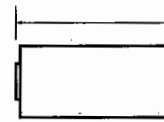
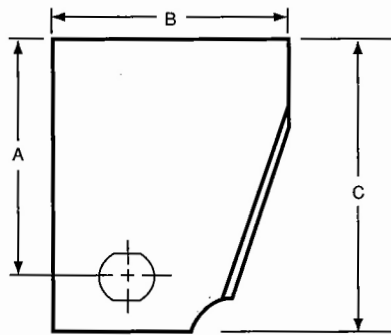
AL-75-B, -76-A, -77, -78 PARTS LIST



ITEM	PART NO.	DESCRIPTION	QTY REQD	MODEL
1	934 00 136	Hex Nut 1/2" - 13	8	All
2	936 00 072	Lock Washer 1/2"	8	All
3	905 01 083	Air Spring Yoke Lift Assembly	1	AL-75-B, AL-77
	905 01 084	Air Spring Yoke Lift Assembly	1	AL-76-A, AL-78
4	900 18 218	Yoke Half	4	All
5	905 57 001	Air Spring	1	All
6	905 18 201	Bracket Assembly	2	AL-75-B, AL-76-A
	905 19 808	Bracket Assembly	2	AL-77, AL-78
7	900 44 111	Chain H.T.	2	AL-75-B, AL-77, AL-78
	900 44 109	Chain H.T.	2	AL-76-A
8	930 00 031	Cap Screw 1/2" - 13 x 1 3/4"	4	All
9	934 00 541	Lock Nut 1/2" - 13	4	All
10	900 31 027	Air Spring Mounting Plate	1	All
11	939 00 039	Cap Screw 5/8" - 11 x 2"	2	All
12	934 00 490	Lock Nut 5/8" - 11	2	All
13	900 06 283	Control Link	2	All
14	900 31 007	Stabilizer End Bracket	4	All
15	938 00 001	Cotter Pin 1/8" x 1"	4	All
16	900 44 164	Yoke Pin	4	All

This page intentionally left blank

FRAME BRACKETS



EQUALIZING BEAM – PIVOT END

PIVOT BUSHING WIDTH

5.00" – RL Series
5.25" – AR/ARU Series

Trailer Air Model	Alignment	A Dimension	B Dimension	C Dimension	Frame Bracket Part Number
AR-250-12	Adjustable	5.25	8.50	7.50	905 20 383
AR-250-14, 15	Adjustable	8.25	10.00	10.50	905 19 710
AR-250-16, 17	Adjustable	10.59-10.75	10.00	12.84-13.00	905 20 828
AR-41-C	Adjustable	10.59	10.00	12.84	905 20 834
AR-41-C	Adjustable	10.00	10.00	12.25	905 19 718**
AR-45	Adjustable	4.75	8.00	7.00	905 20 153
AR-45-1	Adjustable	8.25	10.00	10.50	905 19 714
AR-70A-13, 14	Adjustable	13.50	12.00	15.75	905 19 700
AR-70A-9	Adjustable	8.25	10.00	10.50	905 19 692
AR-75A-10	Adjustable	Contact NAI Service Engineering			
AR-75A-12	Adjustable	11.25	10.00	13.50	905 19 716
AR-75A-6, 9	Adjustable	8.25	10.00	10.50	905 19 714
AR-80-6	Adjustable	6.75	9.75	9.00	905 20 351
AR-80-9	Adjustable	8.25	10.00	10.50	905 19 714
AR-85-A	Adjustable	8.25	10.00	10.50	905 19 714
AR-90-1-12	Adjustable	6.00	9.56	8.25	905 20 219
AR-90/90-1-14, 15	Adjustable	8.25	10.00	10.50	905 19 710
AR-90/90-1-16	Adjustable	10.59-10.75	10.00	12.84-13.00	905 20 828
AR-90/90-1-17	Adjustable	11.25	10.00	13.50	905 19 712
AR-92-12	Adjustable	5.25	8.50	7.50	905 20 383
AR-92-14	Adjustable	7.25	10.00	9.50	905 20 346
AR-92-15	Adjustable	8.25	10.00	10.50	905 19 710
AR-92-16, 17	Adjustable	10.59-10.75	10.00	12.84-13.00	905 20 828
AR-92-18	Adjustable	12.50	10.00	14.75	905 20 385
AR-93-14	Adjustable	7.25	10.00	9.50	905 20 346
AR-93-15	Adjustable	8.25	10.00	10.50	905 19 710
AR-93-16, 17	Adjustable	10.59-10.75	10.00	12.84-13.00	905 20 828
AR-955A-14-HD, 17-HD	LH Adjustable	16.50	15.50	18.75	905 19 987
AR-955A-14-HD, 17-HD	RH Fixed	16.50	15.50	18.75	905 19 986
AR-955A-14, 17	RH Fixed	16.50	15.50	18.75	905 19 986
AR-955A-14, 17	LH Adjustable	16.50	15.50	18.75	905 19 987
AR-955A-9-HD, 12-HD	RH Fixed	11.50	15.00	13.75	905 19 984
AR-955A-9-HD, 12-HD	LH Adjustable	11.50	15.00	13.75	905 19 985
AR-955A-9, 12	RH Fixed	11.50	15.00	13.75	905 19 984
AR-955A-9, 12	LH Adjustable	11.50	15.00	13.75	905 19 985
AR-95A-14-HD	Adjustable	16.50	15.50	18.75	905 19 377
AR-95A-14, 17	Adjustable	16.50	12.00	18.75	905 19 704
AR-95A-15-HD, 16-HD	Adjustable	Contact NAI Service Engineering			
AR-95A-17-HD	Adjustable	16.50	15.50	18.75	905 19 377
AR-95A-9-HD, 12-HD	Adjustable	11.50	15.00	13.75	905 18 714
AR-95A-9, 12	Adjustable	11.25	10.00	13.50	905 19 696
ARU-92-7	Adjustable	Contact NAI Service Engineering			
ARU-92-8	Adjustable	7.25	10.00	9.50	905 20 346
ARU-92-9	Adjustable	8.25	10.00	10.50	905 19 710
ARU-92-10	Adjustable	10.25	10.00	12.50	905 20 395**
ARU-92-10	Adjustable	10.59	10.00	12.84	905 20 828
ARU-92-12	Adjustable	11.25	10.00	13.50	905 19 712

*For suspensions manufactured prior to January 1, 1996.

**For suspensions manufactured prior to February 1, 1996.

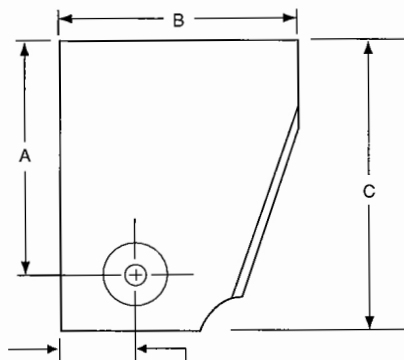
continued

FRAME BRACKETS *continued*

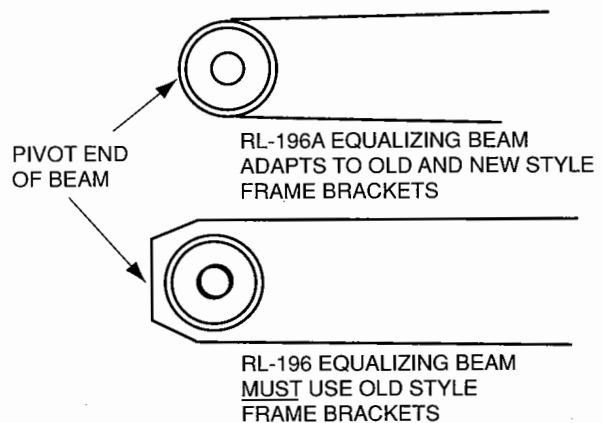
Trailer Air Model	Alignment	A Dimension	B Dimension	C Dimension	Frame Bracket Part Number
<i>(Continued from previous page)</i>					
ARU-93-6	Adjustable	6.00	9.56	8.25	905 20 219
ARU-93-7	Adjustable	7.25	10.00	9.50	905 20 346
ARU-93-8, 9	Adjustable	8.25	10.00	10.50	905 19 710
ARU-93-10	Adjustable	10.59	10.00	12.84	905 20 828
ARU-93-10	Adjustable	10.25	10.00	12.50	905 20 395**
ARU-93-14	Adjustable	12.50	10.00	14.75	905 20 385
RL-228-12	Adjustable	5.25	8.50	7.50	905 20 846
RL-228-12	Non-Weld	5.10	8.50	7.35	905 20 859
RL-228-14	Adjustable	7.25	10.00	9.50	905 20 568
RL-228-14	Non-Weld	7.10	10.00	9.35	905 20 858
RL-228-15	Adjustable	8.25	10.00	10.50	905 20 561
RL-228-15	Non-Weld	8.10	10.00	10.35	905 20 856
RL-228-16, 17	Non-Weld	10.06	10.00	12.31	905 20 439*
RL-228-16, 17	Adjustable	10.25	10.00	12.50	905 20 340*
RL-228-16, 17	Adjustable	10.59	10.00	12.84	905 20 843
RL-228-16, 17	Non-Weld	10.40	10.00	12.65	905 20 857

*For suspensions manufactured prior to January 1, 1996.

**For suspensions manufactured prior to February 1, 1996.



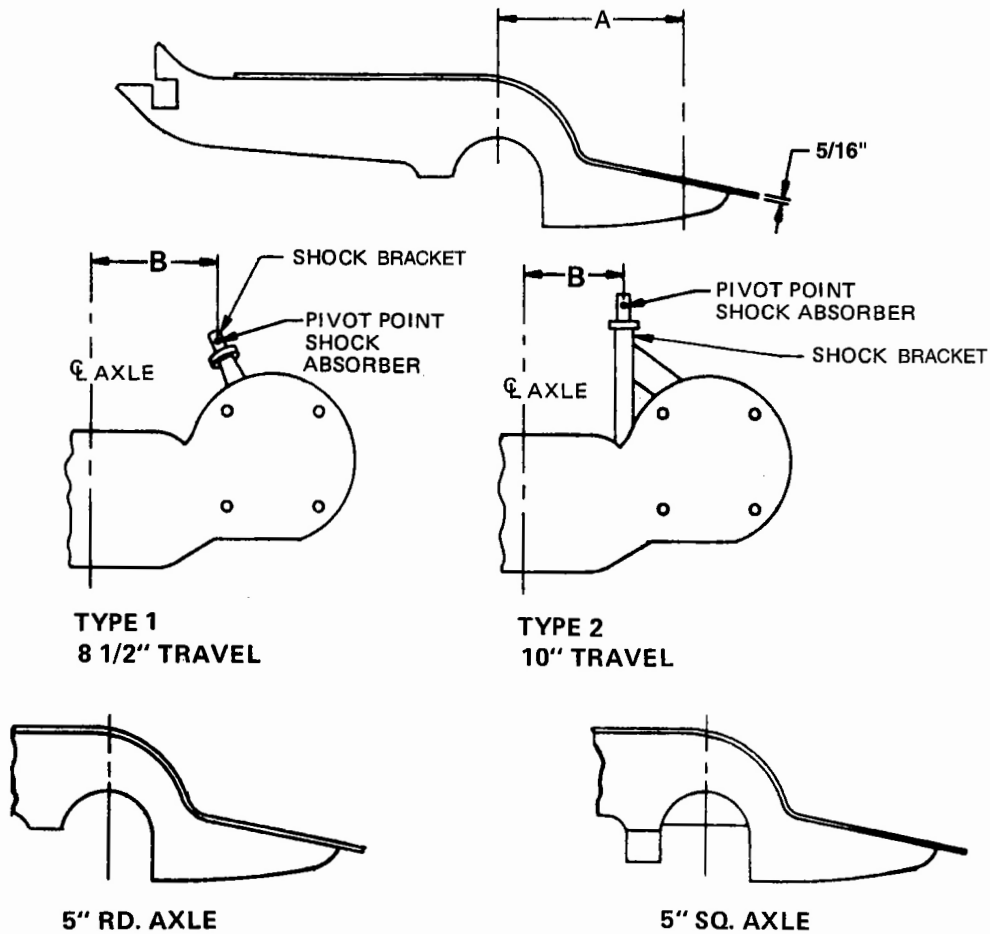
RL-196 3.45" (Old Style)
RL-196A 2.90" (New Style)



Trailer Air Model	Alignment	A Dimension	B Dimension	C Dimension	Frame Bracket Part Number
RL-196-12	Non-Weld	5.10	8.50	7.35	905 20 441
RL-196-12	Adjustable	5.25	8.50	7.50	905 20 367
RL-196-14	Non-Weld	7.10	10.00	9.35	905 20 440
RL-196-14	Adjustable	7.25	10.00	9.50	905 20 363
RL-196-15	Adjustable	8.44	10.00	10.69	905 20 338
RL-196-15	Non-Weld	8.29	10.00	10.54	905 20 438
RL-196-16, 17	Adjustable	10.44	10.00	12.69	905 20 340
RL-196-16, 17	Non-Weld	10.29	10.00	12.54	905 20 439
RL-196A-12	Adjustable	5.25	8.50	7.50	905 20 846
RL-196A-12	Non-Weld	5.10	8.50	7.35	905 20 859
RL-196A-14	Adjustable	7.25	10.00	9.50	905 20 568
RL-196A-14	Non-Weld	7.10	10.00	9.35	905 20 858
RL-196A-15	Non-Weld	8.10-8.29	10.00	10.35-10.54	905 20 856
RL-196A-15	Adjustable	8.25-8.44	10.00	10.50-10.69	905 20 561
RL-196A-16, 17	Non-Weld	10.25-10.44	10.00	12.50-12.69	905 20 857
RL-196A-16, 17	Adjustable	10.44-10.59	10.00	12.69-12.84	905 20 843

AR-120, AR-120-L, AR-125 & AR-125-L SERIES

EQUALIZING BEAM IDENTIFICATION



TYPE 1
8 1/2" TRAVEL

TYPE 2
10" TRAVEL

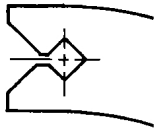
5" RD. AXLE

5" SQ. AXLE

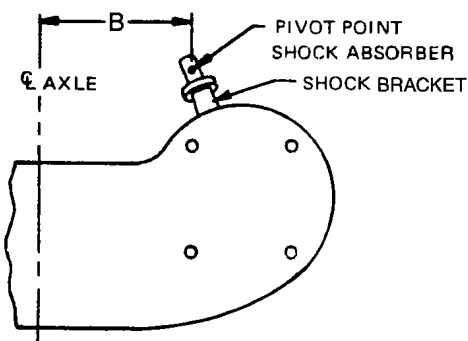
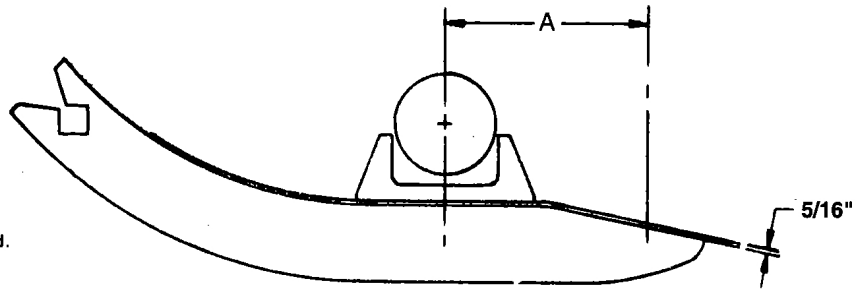
Part Number	Left or Right Hand	A Dimension	B Dimension	Shock Position	Axle Connection	Application
905 15 009	L	11	7 3/4	1	5 Rd	AR-120, 125
905 15 010	R	11	7 3/4	1	5 Rd	AR-120, 125
905 15 011	L	11	6	2	5 Rd	AR-120-L, 125-L
905 15 012	R	11	6	2	5 Rd	AR-120-L, 125-L
905 15 133	L	11	6	2	5 Sq	AR-120-L, 125-L
905 15 134	R	11	6	2	5 Sq	AR-120-L, 125-L
905 15 147	L	11	7 3/4	1	5 Sq	AR-120, 125
905 15 148	R	11	7 3/4	1	5 Sq	AR-120, 125

Note: Equalizing Beams do not include Beam Seat.

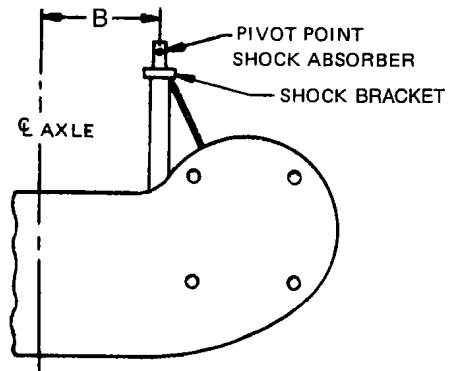
AR-120/125-US/125-US-F/125-US-L SERIES
EQUALIZING BEAM IDENTIFICATION



NOTE:
 Diamond shaped torsion bar hole
 (in yoke end of beams) type beams
 are obsolete, both beams must be changed.



TYPE 1
 8 1/2" TRAVEL
 7 3/4" TRAVEL (F MODEL)



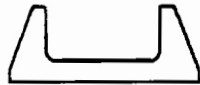
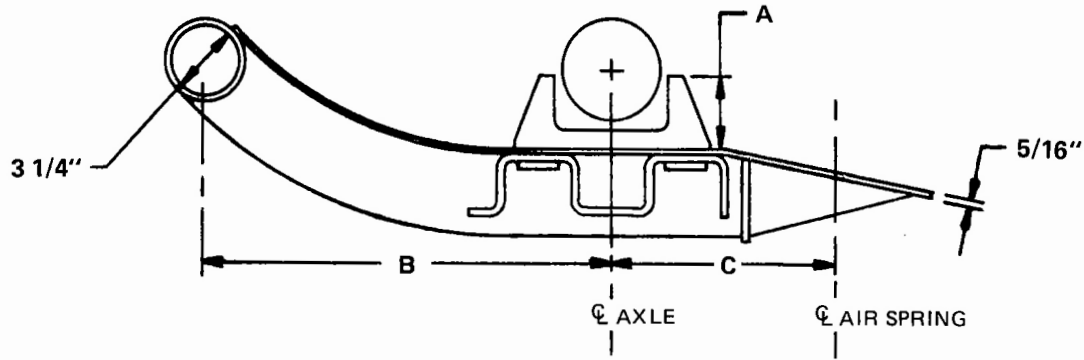
TYPE 2
 10" TRAVEL

Part Number	Left or Right Hand	A Dim.	B Dim.	Shock Position	Application
905 15 021	L	11 1/16	6 3/8	2	AR-120/125-US-L
905 15 022	R	11 1/16	6 3/8	2	AR-120/125-US-L
905 15 026	L	11 1/16	8 1/4	1	AR-120/125-US
905 15 027	R	11 1/16	8 1/4	1	AR-120/125-US
905 15 610	L	14 9/16	11 3/4	1	AR-120/125-US-F
905 15 611	R	14 9/16	11 3/4	1	AR-120/125-US-F

Note: Equalizing Beams do not include Beam Seat.

AR-41, AR-45, AR-45-1, AR-75, AR-80 & AR-85-A SERIES

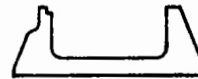
EQUALIZING BEAM IDENTIFICATION



TYPE 1

20" Wheel 5" RD. or 5" SQ.
15" Wheel 5" RD.

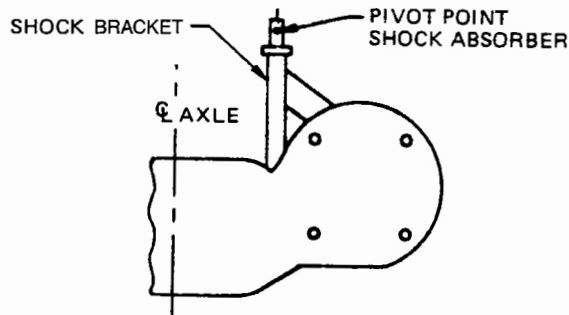
- 900 01 006 3 1/2"
- 900 01 131 3 5/8"
- 900 01 008 6 1/2"
- 905 01 128 6 5/8"



TYPE 2

15" Wheel 5" RD.

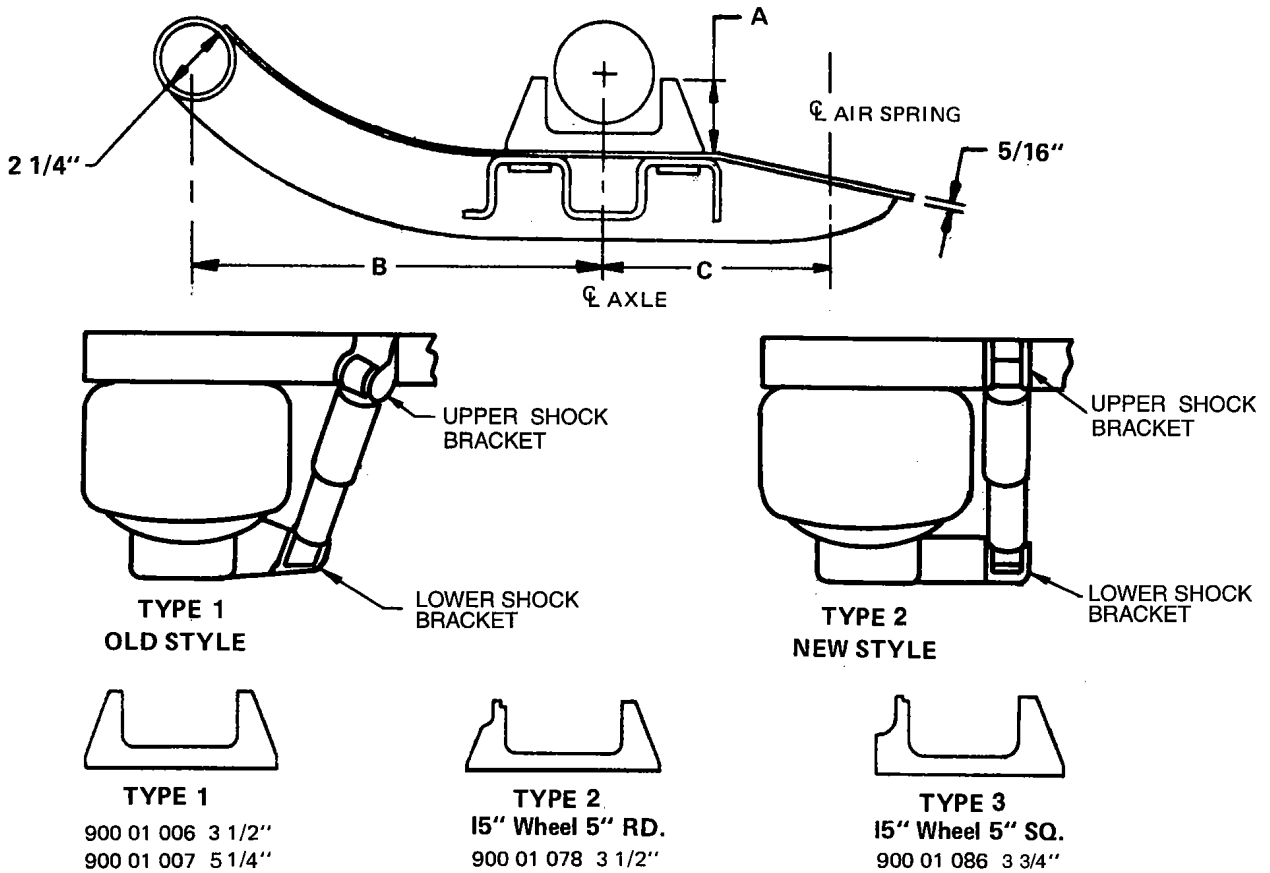
- 900 01 078 3 1/2"



Part Number	Left or Right Hand	A Dimension	B Dimension	C Dimension	Beam Seat	Application
905 15 857	L	3 1/2	19	13 5/16	1	AR-45, 45-1, 75, 75-1
905 15 858	R	3 1/2	19	13 5/16	1	AR-45, 45-1, 75, 75-1
905 15 859	L	6 1/2	19	13 5/16	1	AR-75
905 15 860	R	6 1/2	19	13 5/16	1	AR-75
905 15 896	L	6 5/8	19	13 5/16	1	AR-45, 75
905 15 897	R	6 5/8	19	13 5/16	1	AR-45, 75
905 15 898	L	3 1/2	19	13 5/16	2	AR-45, 75
905 15 899	R	3 1/2	19	13 5/16	2	AR-45, 75
905 16 054	L	3 1/2	15 1/4	11 1/16	1	AR-41
905 16 055	R	3 1/2	15 1/4	11 1/16	1	AR-41
905 16 195	L	3 1/2	19 1/2	11 1/2	1	AR-85-A
905 16 196	R	3 1/2	19 1/2	11 1/2	1	AR-85-A
905 16 447	L	3 5/8	19	13 5/16	1	AR-80
905 16 448	R	3 5/8	19	13 5/16	1	AR-80
905 16 449	L	3 5/8	19	13 5/16	1	AR-80
905 16 450	R	3 5/8	19	13 5/16	1	AR-80

Note: Equalizing Beams include Beam Seat.

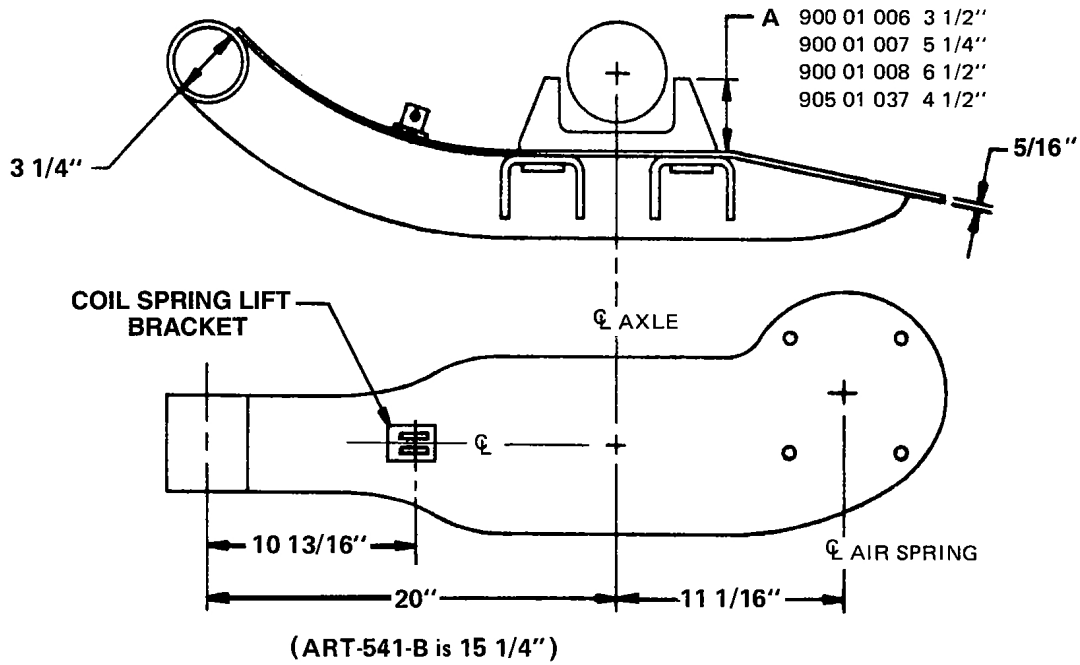
AR-50-US & AR-50 US-F SERIES
EQUALIZING BEAM IDENTIFICATION



Part Number	Left or Right Hand	A Dimension	B Dimension	C Dimension	Shock Position	Beam Seat	Application
905 15 131	R	3 1/2	19	13 5/16	1	1	AR-50-US-F
905 15 132	L	3 1/2	19	13 5/16	1	1	AR-50-US-F
905 15 141	L	3 1/2	19	11 1/16	1	1	AR-50-US
905 15 142	R	3 1/2	19	11 1/16	1	1	AR-50-US
905 15 217	L	5 1/4	19	13 1/4	2	1	AR-50-US
905 15 218	R	5 1/4	19	13 1/4	2	1	AR-50-US
905 16 000	L	3 1/2	19	13 5/16	2	1	AR-50-US-F
905 16 001	R	3 1/2	19	13 5/16	2	1	AR-50-US-F
905 16 004	L	3 1/2	19	13 5/16	2	2	AR-50-US-F
905 16 005	R	3 1/2	19	13 5/16	2	2	AR-50-US-F
905 16 006	L	3 3/4	19	13 5/16	2	3	AR-50-US-F
905 16 007	R	3 3/4	19	13 5/16	2	3	AR-50-US-F
905 16 008	L	3 1/2	19	11 1/16	2	1	AR-50-US
905 16 009	R	3 1/2	19	11 1/16	2	1	AR-50-US
905 16 010	L	3 3/4	19	11 1/16	2	3	AR-50-US
905 16 011	R	3 3/4	19	11 1/16	2	3	AR-50-US

Note: Equalizing Beams include Beam Seat.

ART-500-B, ART-500-US-A, ART-505-B/C, ART-541-B, ART-551-B & ART-555-B/C
EQUALIZING BEAM IDENTIFICATION



Part Number	Left or Right Hand	A Dimension	Application
905 15 602*	L	5 1/4	ART-555-B-1 SP
905 15 603*	R	5 1/4	ART-555-B-1 SP
905 16 197	L	3 1/2	ART-541-B
905 16 198	R	3 1/2	ART-541-B
905 16 335*	L	3 1/2	ART-505-B/C, 555-B/C-3
905 16 336*	R	3 1/2	ART-505-B/C, 555-B/C-3
905 16 337*	L	4 1/2	ART-505-B/C-1, 555-B/C-2
905 16 338*	R	4 1/2	ART-505-B/C-1, 555-B/C-2
905 16 341*	L	6 1/2	ART-555-B/C-1
905 16 342*	R	6 1/2	ART-555-B/C-1
905 16 343	L	3 1/2	ART-500-US-A, 500-B, 551-B-3
905 16 344	R	3 1/2	ART-500-US-A, 500-B, 551-B-3
905 16 345	L	4 1/2	ART-500-B-1, 551-B-2
905 16 346	R	4 1/2	ART-500-B-1, 551-B-2
905 16 349	L	6 1/2	ART-551-B-1
905 16 350	R	6 1/2	ART-551-B-1

* Includes Coil Spring Lift Bracket
 Note: Equalizing Beams include Beam Seat.